

 **BOEING**
COMPONENT
MAINTENANCE MANUAL

TO: ALL HOLDERS OF THRUST REVERSER SLEEVE ASSEMBLY COMPONENT MAINTENANCE
MANUAL 78-31-45

REVISION NO. 21 DATED JUL 01/05

HIGHLIGHTS

Pages which have been added or revised are outlined below together with the highlights of the revision. Remove and insert the affected pages as listed and enter Revision No. and date on the Record of Revision Sheet.

CHAPTER/SECTION
AND PAGE NO.

DESCRIPTION OF CHANGE

301	Updated per latest engineering.
707	
1002-1077,1080, 1080I-1084U,1084Y-1086C, 1086G-1086L,10860-1086U, 1088G,1088M,10880-1090Y, 1091-1092F,1092S-1096M, 1098C-1100B,1100I-1100R, 1100Y-1102E,1102K-1102T, 1102W-1102X,1103	
REPAIR 8-1 601	Added blocker door assemblies to REPAIR 8-1. The new assemblies are: 315T4507-3, -5; 315T4508-3, -4, -5, -6; 315T4509-3, -4, -5, -6.
REPAIR 10-1 601,603	Added link attach fitting assemblies 315T4511-5 to REPAIR 10-1.
REPAIR 11-1 601,604	Added pivot link assemblies 315T4514-1, -3 to REPAIR 11-1.

78-31-45

HIGHLIGHTS

01.1

Page 1

Jul 01/05

THRUST REVERSER SLEEVE ASSEMBLY (PW4000)

PART NUMBERS 315T4026-11 THRU -16
315T4500-1,-2,-7 THRU -10,-13 THRU
-18,-21 THRU -56

COMPONENT MAINTENANCE MANUAL
WITH
ILLUSTRATED PARTS LIST

78-31-45

TITLE PAGE

Page 1

Jul 01/03

01.1

REVISION RECORD

- Retain this record in front of manual. On receipt of revision, insert revised pages in the manual, and enter revision number, date inserted and initial.

REVISION NUMBER	REVISION DATE	DATE FILED	BY	REVISION NUMBER	REVISION DATE	DATE FILED	BY



BOEING
COMPONENT
MAINTENANCE MANUAL

PAGE	DATE	CODE	PAGE	DATE	CODE
78-31-45			CHECK		
TITLE PAGE			501	JUL 01/03	01.1
1	JUL 01/03	01.1	502	JUL 01/03	01.1
2	BLANK		503	JUL 01/03	01.1
REVISION RECORD			504	JUL 01/03	01.1
1	JUL 01/03	01.1	505	JUL 01/03	01.1
2	BLANK		506	JUL 01/03	01.1
TR & SB RECORD			507	JUL 01/03	01.1
1	JUL 01/03	01.1	508	BLANK	
2	BLANK		REPAIR-GENERAL		
LIST OF EFFECTIVE PAGES			601	JUL 01/03	01.1
*1	JUL 01/05	01	602	JUL 01/03	01.1
THRU LAST PAGE			603	MAR 01/04	01.1
CONTENTS			604	MAR 01/04	01.101
1	JUL 01/03	01.1	REPAIR 1-1		
2	BLANK		601	MAR 01/04	01.1
INTRODUCTION			602	MAR 01/04	01.1
1	JUL 01/03	01.1	603	MAR 01/04	01.1
2	BLANK		604	MAR 01/04	01.101
DESCRIPTION & OPERATION			605	MAR 01/04	01.101
1	JUL 01/03	01.1	606	BLANK	
2	BLANK		REPAIR 2-1		
DISASSEMBLY			601	MAR 01/04	01.1
*301	JUL 01/05	01.1	602	MAR 01/04	01.1
302	JUL 01/03	01.1	603	MAR 01/04	01.101
303	JUL 01/03	01.1	604	BLANK	
304	JUL 01/03	01.1	REPAIR 3-1		
305	JUL 01/03	01.1	601	JUL 01/03	01.1
306	JUL 01/03	01.1	602	JUL 01/03	01.1
307	JUL 01/03	01.1	REPAIR 4-1		
308	JUL 01/03	01.1	601	JUL 01/03	01.1
309	JUL 01/03	01.1	602	JUL 01/03	01.1
310	BLANK		REPAIR 5-1		
			601	JUL 01/03	01.1
			602	JUL 01/03	01.1

* = REVISED, ADDED OR DELETED

78-31-45

EFFECTIVE PAGES
CONTINUED Page 1
01 Jul 01/05

PAGE	DATE	CODE	PAGE	DATE	CODE
REPAIR 5-2			REPAIR 11-1		
601	JUL 01/03	01.1	*601	JUL 01/05	01.1
602	JUL 01/03	01.1	602	JUL 01/03	01.1
603	JUL 01/03	01.1	603	JUL 01/03	01.1
604	JUL 01/03	01.1	*604	JUL 01/05	01.1
605	JUL 01/03	01.1	REPAIR 12-1		
606	JUL 01/03	01.1	601	JUL 01/03	01.1
REPAIR 6-1			602	BLANK	
601	JUL 01/03	01.1	REPAIR 13-1		
602	JUL 01/03	01.1	601	JUL 01/03	01.1
REPAIR 6-2			602	JUL 01/03	01.1
601	JUL 01/03	01.1	603	JUL 01/03	01.1
602	BLANK		604	JUL 01/03	01.1
REPAIR 7-1			605	JUL 01/03	01.1
601	JUL 01/03	01.1	606	JUL 01/03	01.1
602	BLANK		607	JUL 01/03	01.1
REPAIR 8-1			608	JUL 01/03	01.1
*601	JUL 01/05	01.1	ASSEMBLY		
602	BLANK		701	JUL 01/03	01.1
REPAIR 9-1			702	JUL 01/03	01.1
601	JUL 01/03	01.1	703	JUL 01/03	01.1
602	JUL 01/03	01.1	704	JUL 01/03	01.1
603	JUL 01/03	01.1	705	JUL 01/03	01.1
604	JUL 01/03	01.1	706	JUL 01/03	01.1
REPAIR 9-2			*707	JUL 01/05	01.1
601	JUL 01/03	01.1	708	JUL 01/03	01.1
602	JUL 01/03	01.1	709	JUL 01/03	01.1
603	JUL 01/03	01.1	710	JUL 01/03	01.1
604	JUL 01/03	01.1	711	JUL 01/03	01.1
605	JUL 01/03	01.1	712	JUL 01/04	01.1
606	JUL 01/03	01.1	713	JUL 01/03	01.1
REPAIR 10-1			714	JUL 01/03	01.1
*601	JUL 01/05	01.1	715	JUL 01/03	01.1
602	JUL 01/03	01.1	716	JUL 01/03	01.1
*603	JUL 01/05	01.1	717	JUL 01/03	01.1
604	BLANK		718	JUL 01/04	01.1
			719	JUL 01/04	01.1
			720	JUL 01/04	01.1

* = REVISED, ADDED OR DELETED

78-31-45

EFFECTIVE PAGES
 CONTINUED Page 2
 01 Jul 01/05

PAGE	DATE	CODE	PAGE	DATE	CODE
FITS AND CLEARANCES			ILLUSTRATED PARTS LIST		
801	JUL 01/03	01.1	*1033	JUL 01/05	01.1
802	JUL 01/03	01.1	*1034	JUL 01/05	01.1
803	JUL 01/03	01.1	*1035	JUL 01/05	01.1
804	JUL 01/03	01.1	*1036	JUL 01/05	01.1
SPECIAL TOOLS			*1037	JUL 01/05	01.1
901	JUL 01/03	01.1	*1038	JUL 01/05	01.1
902	BLANK		*1039	JUL 01/05	01.1
ILLUSTRATED PARTS LIST			*1040	JUL 01/05	01.1
1001	JUL 01/03	01.1	*1041	JUL 01/05	01.1
*1002	JUL 01/05	01.1	*1042	JUL 01/05	01.1
*1003	JUL 01/05	01.1	*1043	JUL 01/05	01.1
*1004	JUL 01/05	01.1	*1044	JUL 01/05	01.1
*1005	JUL 01/05	01.1	*1045	JUL 01/05	01.1
*1006	JUL 01/05	01.1	*1046	JUL 01/05	01.1
*1007	JUL 01/05	01.1	*1047	JUL 01/05	01.1
*1008	JUL 01/05	01.1	*1048	JUL 01/05	01.1
*1009	JUL 01/05	01.1	*1049	JUL 01/05	01.1
*1010	JUL 01/05	01.1	*1050	JUL 01/05	01.1
*1011	JUL 01/05	01.1	*1051	JUL 01/05	01.1
*1012	JUL 01/05	01.1	*1052	JUL 01/05	01.1
*1013	JUL 01/05	01.1	*1053	JUL 01/05	01.1
*1014	JUL 01/05	01.1	*1054	JUL 01/05	01.1
*1015	JUL 01/05	01.1	*1055	JUL 01/05	01.1
*1016	JUL 01/05	01.1	*1056	JUL 01/05	01.1
*1017	JUL 01/05	01.1	*1057	JUL 01/05	01.1
*1018	JUL 01/05	01.1	*1058	JUL 01/05	01.1
*1019	JUL 01/05	01.1	*1059	JUL 01/05	01.1
*1020	JUL 01/05	01.1	*1060	JUL 01/05	01.1
*1021	JUL 01/05	01.1	*1061	JUL 01/05	01.1
*1022	JUL 01/05	01.1	*1062	JUL 01/05	01.1
*1023	JUL 01/05	01.1	*1063	JUL 01/05	01.1
*1024	JUL 01/05	01.1	*1064	JUL 01/05	01.1
*1025	JUL 01/05	01.1	*1065	JUL 01/05	01.1
*1026	JUL 01/05	01.1	*1066	JUL 01/05	01.1
*1027	JUL 01/05	01.1	*1067	JUL 01/05	01.1
*1028	JUL 01/05	01.1	*1068	JUL 01/05	01.1
*1029	JUL 01/05	01.1	*1069	JUL 01/05	01.1
*1030	JUL 01/05	01.1	*1070	JUL 01/05	01.1
*1031	JUL 01/05	01.1	*1071	JUL 01/05	01.1
*1032	JUL 01/05	01.1	*1072	JUL 01/05	01.1
			*1073	JUL 01/05	01.1
			*1074	JUL 01/05	01.1

* = REVISED, ADDED OR DELETED

78-31-45

EFFECTIVE PAGES
CONTINUED Page 3
01 Jul 01/05

PAGE	DATE	CODE	PAGE	DATE	CODE
ILLUSTRATED PARTS LIST		CONT.	ILLUSTRATED PARTS LIST		CONT.
*1075	JUL 01/05	01.1	*1082I	JUL 01/05	01.1
*1076	JUL 01/05	01.1	*1082J	JUL 01/05	01.1
*1077	JUL 01/05	01.1	*1082K	JUL 01/05	01.1
*1078	BLANK		*1082L	JUL 01/05	01.1
*1079	JUL 01/05	01.1	*1082M	JUL 01/05	01.1
*1080	JUL 01/05	01.1	*1082N	JUL 01/05	01.1
*1080A	JUL 01/05	01.1	*1082O	JUL 01/05	01.1
*1080B	JUL 01/05	01.1	*1082P	JUL 01/05	01.1
*1080C	JUL 01/05	01.1	*1082Q	JUL 01/05	01.1
*1080D	JUL 01/05	01.1	*1082R	JUL 01/05	01.1
*1080E	JUL 01/05	01.1	*1082S	JUL 01/05	01.1
*1080F	JUL 01/05	01.1	*1082T	JUL 01/05	01.1
*1080G	JUL 01/05	01.1	*1082U	JUL 01/05	01.1
*1080H	JUL 01/05	01.1	*1082V	JUL 01/05	01.1
*1080I	JUL 01/05	01.1	*1082W	JUL 01/05	01.1
*1080J	JUL 01/05	01.1	*1082X	JUL 01/05	01.1
*1080K	JUL 01/05	01.1	*1082Y	JUL 01/05	01.1
*1080L	JUL 01/05	01.1	*1082Z	JUL 01/05	01.1
*1080M	JUL 01/05	01.1	*1083	JUL 01/05	01.1
*1080N	JUL 01/05	01.1	*1084	JUL 01/05	01.1
*1080O	JUL 01/05	01.1	*1084A	JUL 01/05	01.1
*1080P	JUL 01/05	01.1	*1084B	JUL 01/05	01.1
*1080Q	JUL 01/05	01.1	*1084C	JUL 01/05	01.1
*1080R	JUL 01/05	01.1	*1084D	JUL 01/05	01.1
*1080S	JUL 01/05	01.1	*1084E	JUL 01/05	01.1
*1080T	JUL 01/05	01.1	*1084F	JUL 01/05	01.1
*1080U	JUL 01/05	01.1	*1084G	JUL 01/05	01.1
*1080V	JUL 01/05	01.1	*1084H	JUL 01/05	01.1
*1080W	JUL 01/05	01.1	*1084I	JUL 01/05	01.1
*1080X	JUL 01/05	01.1	*1084J	JUL 01/05	01.1
*1080Y	JUL 01/05	01.1	*1084K	JUL 01/05	01.1
*1080Z	JUL 01/05	01.1	*1084L	JUL 01/05	01.1
*1081	JUL 01/05	01.1	*1084M	JUL 01/05	01.1
*1082	JUL 01/05	01.1	*1084N	JUL 01/05	01.1
*1082A	JUL 01/05	01.1	*1084O	JUL 01/05	01.1
*1082B	JUL 01/05	01.1	*1084P	JUL 01/05	01.1
*1082C	JUL 01/05	01.1	*1084Q	JUL 01/05	01.1
*1082D	JUL 01/05	01.1	*1084R	JUL 01/05	01.1
*1082E	JUL 01/05	01.1	*1084S	JUL 01/05	01.1
*1082F	JUL 01/05	01.1	*1084T	JUL 01/05	01.1
*1082G	JUL 01/05	01.1	*1084U	JUL 01/05	01.1
*1082H	JUL 01/05	01.1	*1084V	BLANK	

* = REVISED, ADDED OR DELETED

78-31-45

EFFECTIVE PAGES
 CONTINUED Page 4
 01 Jul 01/05

PAGE	DATE	CODE	PAGE	DATE	CODE
ILLUSTRATED PARTS LIST		CONT.	ILLUSTRATED PARTS LIST		CONT.
*1084W	JUL 01/05	01.1	*1088I	JUL 01/05	01.1
*1084X	JUL 01/05	01.1	*1088J	JUL 01/05	01.1
*1084Y	JUL 01/05	01.1	*1088K	JUL 01/05	01.1
*1084Z	JUL 01/05	01.1	*1088L	JUL 01/05	01.1
*1085	JUL 01/05	01.1	*1088M	JUL 01/05	01.1
*1086	JUL 01/05	01.1	*1088N	JUL 01/05	01.1
*1086A	JUL 01/05	01.1	*1088O	JUL 01/05	01.1
*1086B	JUL 01/05	01.1	*1088P	JUL 01/05	01.1
*1086C	JUL 01/05	01.1	*1088Q	JUL 01/05	01.1
*1086D	BLANK		*1088R	JUL 01/05	01.1
*1086E	JUL 01/05	01.1	*1088S	JUL 01/05	01.1
*1086F	JUL 01/05	01.1	*1088T	JUL 01/05	01.1
*1086G	JUL 01/05	01.1	*1088U	JUL 01/05	01.1
*1086H	JUL 01/05	01.1	*1088V	JUL 01/05	01.1
*1086I	JUL 01/05	01.1	*1088W	JUL 01/05	01.1
*1086J	JUL 01/05	01.1	*1088X	JUL 01/05	01.1
*1086K	JUL 01/05	01.1	*1088Y	JUL 01/05	01.1
*1086L	JUL 01/05	01.1	*1088Z	JUL 01/05	01.1
*1086M	JUL 01/05	01.1	*1089	JUL 01/05	01.1
*1086N	JUL 01/05	01.1	*1090	JUL 01/05	01.1
*1086O	JUL 01/05	01.1	*1090A	JUL 01/05	01.1
*1086P	JUL 01/05	01.1	*1090B	JUL 01/05	01.1
*1086Q	JUL 01/05	01.1	*1090C	JUL 01/05	01.1
*1086R	JUL 01/05	01.1	*1090D	JUL 01/05	01.1
*1086S	JUL 01/05	01.1	*1090E	JUL 01/05	01.1
*1086T	JUL 01/05	01.1	*1090F	JUL 01/05	01.1
*1086U	JUL 01/05	01.1	*1090G	JUL 01/05	01.1
*1086V	BLANK		*1090H	JUL 01/05	01.1
*1086W	JUL 01/05	01.1	*1090I	JUL 01/05	01.1
*1086X	JUL 01/05	01.1	*1090J	JUL 01/05	01.1
*1086Y	JUL 01/05	01.1	*1090K	JUL 01/05	01.1
*1086Z	JUL 01/05	01.1	*1090L	JUL 01/05	01.1
*1087	JUL 01/05	01.1	*1090M	JUL 01/05	01.1
*1088	JUL 01/05	01.1	*1090N	JUL 01/05	01.1
*1088A	JUL 01/05	01.1	*1090O	JUL 01/05	01.1
*1088B	JUL 01/05	01.1	*1090P	JUL 01/05	01.1
*1088C	JUL 01/05	01.1	*1090Q	JUL 01/05	01.1
*1088D	JUL 01/05	01.1	*1090R	JUL 01/05	01.1
*1088E	JUL 01/05	01.1	*1090S	JUL 01/05	01.1
*1088F	JUL 01/05	01.1	*1090T	JUL 01/05	01.1
*1088G	JUL 01/05	01.1	*1090U	JUL 01/05	01.1
*1088H	JUL 01/05	01.1	*1090V	JUL 01/05	01.1

* = REVISED, ADDED OR DELETED

78-31-45

EFFECTIVE PAGES
CONTINUED Page 5
01 Jul 01/05

PAGE	DATE	CODE	PAGE	DATE	CODE
ILLUSTRATED PARTS LIST		CONT.	ILLUSTRATED PARTS LIST		CONT.
*1090W	JUL 01/05	01.1	*1094I	JUL 01/05	01.1
*1090X	JUL 01/05	01.1	*1094J	JUL 01/05	01.1
*1090Y	JUL 01/05	01.1	*1094K	JUL 01/05	01.1
*1090Z	JUL 01/05	01.1	*1094L	JUL 01/05	01.1
*1091	JUL 01/05	01.1	*1094M	JUL 01/05	01.1
*1092	JUL 01/05	01.1	*1094N	JUL 01/05	01.1
*1092A	JUL 01/05	01.1	*1094O	JUL 01/05	01.1
*1092B	JUL 01/05	01.1	*1094P	JUL 01/05	01.1
*1092C	JUL 01/05	01.1	*1094Q	JUL 01/05	01.1
*1092D	JUL 01/05	01.1	*1094R	JUL 01/05	01.1
*1092E	JUL 01/05	01.1	*1094S	JUL 01/05	01.1
*1092F	JUL 01/05	01.1	*1094T	JUL 01/05	01.1
*1092G	BLANK		*1094U	JUL 01/05	01.1
*1092H	JUL 01/05	01.1	*1094V	JUL 01/05	01.1
*1092I	JUL 01/05	01.1	*1094W	JUL 01/05	01.1
*1092J	JUL 01/05	01.1	*1094X	JUL 01/05	01.1
*1092K	JUL 01/05	01.1	*1094Y	JUL 01/05	01.1
*1092L	JUL 01/05	01.1	*1094Z	JUL 01/05	01.1
*1092M	JUL 01/05	01.1	*1095	JUL 01/05	01.1
*1092N	JUL 01/05	01.1	*1096	JUL 01/05	01.1
*1092O	JUL 01/05	01.1	*1096A	JUL 01/05	01.1
*1092P	JUL 01/05	01.1	*1096B	JUL 01/05	01.1
*1092Q	JUL 01/05	01.1	*1096C	JUL 01/05	01.1
*1092R	JUL 01/05	01.1	*1096D	JUL 01/05	01.1
*1092S	JUL 01/05	01.1	*1096E	JUL 01/05	01.1
*1092T	JUL 01/05	01.1	*1096F	JUL 01/05	01.1
*1092U	JUL 01/05	01.1	*1096G	JUL 01/05	01.1
*1092V	JUL 01/05	01.1	*1096H	JUL 01/05	01.1
*1092W	JUL 01/05	01.1	*1096I	JUL 01/05	01.1
*1092X	JUL 01/05	01.1	*1096J	JUL 01/05	01.1
*1092Y	JUL 01/05	01.1	*1096K	JUL 01/05	01.1
*1092Z	JUL 01/05	01.1	*1096L	JUL 01/05	01.1
*1093	JUL 01/05	01.1	*1096M	JUL 01/05	01.1
*1094	JUL 01/05	01.1	*1096N	BLANK	
*1094A	JUL 01/05	01.1	*1096O	JUL 01/05	01.1
*1094B	JUL 01/05	01.1	*1096P	JUL 01/05	01.1
*1094C	JUL 01/05	01.1	*1096Q	JUL 01/05	01.1
*1094D	JUL 01/05	01.1	*1096R	JUL 01/05	01.1
*1094E	JUL 01/05	01.1	*1096S	JUL 01/05	01.1
*1094F	JUL 01/05	01.1	*1096T	JUL 01/05	01.1
*1094G	JUL 01/05	01.1	*1096U	JUL 01/05	01.1
*1094H	JUL 01/05	01.1	*1096V	JUL 01/05	01.1

* = REVISED, ADDED OR DELETED

78-31-45

EFFECTIVE PAGES
 CONTINUED Page 6
 01 Jul 01/05

PAGE	DATE	CODE	PAGE	DATE	CODE
ILLUSTRATED PARTS LIST		CONT.	ILLUSTRATED PARTS LIST		CONT.
*1096W	JUL 01/05	01.1	*1100I	JUL 01/05	01.1
*1096X	JUL 01/05	01.1	*1100J	JUL 01/05	01.1
*1096Y	JUL 01/05	01.1	*1100K	JUL 01/05	01.1
*1096Z	JUL 01/05	01.1	*1100L	JUL 01/05	01.1
*1097	JUL 01/05	01.1	*1100M	JUL 01/05	01.1
*1098	JUL 01/05	01.1	*1100N	JUL 01/05	01.1
*1098A	JUL 01/05	01.1	*1100O	JUL 01/05	01.1
*1098B	JUL 01/05	01.1	*1100P	JUL 01/05	01.1
*1098C	JUL 01/05	01.1	*1100Q	JUL 01/05	01.1
*1098D	JUL 01/05	01.1	*1100R	JUL 01/05	01.1
*1098E	JUL 01/05	01.1	*1100S	BLANK	
*1098F	JUL 01/05	01.1	*1100T	JUL 01/05	01.1
*1098G	JUL 01/05	01.1	*1100U	JUL 01/05	01.1
*1098H	JUL 01/05	01.1	*1100V	JUL 01/05	01.1
*1098I	JUL 01/05	01.1	*1100W	JUL 01/05	01.1
*1098J	JUL 01/05	01.1	*1100X	JUL 01/05	01.1
*1098K	JUL 01/05	01.1	*1100Y	JUL 01/05	01.1
*1098L	JUL 01/05	01.1	*1100Z	JUL 01/05	01.1
*1098M	JUL 01/05	01.1	*1101	JUL 01/05	01.1
*1098N	JUL 01/05	01.1	*1102	JUL 01/05	01.1
*1098O	JUL 01/05	01.1	*1102A	JUL 01/05	01.1
*1098P	JUL 01/05	01.1	*1102B	JUL 01/05	01.1
*1098Q	JUL 01/05	01.1	*1102C	JUL 01/05	01.1
*1098R	JUL 01/05	01.1	*1102D	JUL 01/05	01.1
*1098S	JUL 01/05	01.1	*1102E	JUL 01/05	01.1
*1098T	JUL 01/05	01.1	*1102F	JUL 01/05	01.1
*1098U	JUL 01/05	01.1	*1102G	JUL 01/05	01.1
*1098V	JUL 01/05	01.1	*1102H	JUL 01/05	01.1
*1098W	JUL 01/05	01.1	*1102I	JUL 01/05	01.1
*1098X	JUL 01/05	01.1	*1102J	JUL 01/05	01.1
*1098Y	JUL 01/05	01.1	*1102K	JUL 01/05	01.1
*1098Z	JUL 01/05	01.1	*1102L	JUL 01/05	01.1
*1099	JUL 01/05	01.1	*1102M	JUL 01/05	01.1
*1100	JUL 01/05	01.1	*1102N	JUL 01/05	01.1
*1100A	JUL 01/05	01.1	*1102O	JUL 01/05	01.1
*1100B	JUL 01/05	01.1	*1102P	JUL 01/05	01.1
*1100C	BLANK		*1102Q	JUL 01/05	01.1
*1100D	JUL 01/05	01.1	*1102R	JUL 01/05	01.1
*1100E	JUL 01/05	01.1	*1102S	JUL 01/05	01.1
*1100F	JUL 01/05	01.1	*1102T	JUL 01/05	01.1
*1100G	JUL 01/05	01.1	*1102U	BLANK	
*1100H	JUL 01/05	01.1	*1102V	JUL 01/05	01.1

* = REVISED, ADDED OR DELETED

78-31-45

EFFECTIVE PAGES
CONTINUED Page 7
01 Jul 01/05

PAGE	DATE	CODE	PAGE	DATE	CODE
ILLUSTRATED PARTS LIST		CONT.			
*1102W	JUL 01/05	01.1			
*1102X	JUL 01/05	01.1			
*1102Y	BLANK				
*1102Z	JUL 01/05	01.1			
*1103	JUL 01/05	01.1			
*1104	BLANK				

* = REVISED, ADDED OR DELETED

78-31-45

EFFECTIVE PAGES
 LAST PAGE Page 8
 01 Jul 01/05

TABLE OF CONTENTS

<u>Paragraph Title</u>	<u>Page</u>
Description and Operation.	1
Testing and Trouble Shooting (not applicable)	
Disassembly.	301
Cleaning (not applicable)	
Check.	501
Repair	601
Assembly	701
Fits and Clearances.	801
Special Tools, Fixtures, and Equipment	901
Illustrated Parts List	1001

78-31-45

CONTENTS
Page 1
Jul 01/03

01.1

INTRODUCTION

The instructions in this manual provide the information necessary to perform maintenance functions ranging from simple checks and replacement to complete shop-type repair.

This manual is divided into separate sections:

- | | |
|--|------------------------------|
| 1. Title Page | 4. List of Effective Pages |
| 2. Record of Revisions | 5. Table of Contents |
| 3. Temporary Revision &
Service Bulletin Record | 6. Introduction |
| | 7. Procedures & IPL Sections |

Refer to the Table of Contents for the page location of applicable sections. An asterisked flagnote *[] in place of the page number indicates that no special instructions are provided since the function can be performed using standard industry practices.

The beginning of the REPAIR section includes a list of the separate repairs, a list of applicable standard Boeing practices, and an explanation of the True Position Dimensioning symbols used.

An explanation of the use of the Illustrated Parts List is provided in the Introduction to that section.

All weights and measurements used in the manual are in English units, unless otherwise stated. When metric equivalents are given they will be in parentheses following the English units.

Design changes, optional parts, configuration differences and Service Bulletin modifications create alternate part numbers. These are identified in the Illustrated Parts List (IPL) by adding an alphabetical character to the basic item number. The resulting item number is called an alpha-variant. Throughout the manual, IPL basic item number references also apply to alpha-variants unless otherwise indicated.

Verification:

Disassembly
Assembly

78-31-45

INTRODUCTION

01.1

Page 1

Jul 01/03

THRUST REVERSER SLEEVE ASSEMBLY

DESCRIPTION AND OPERATION

1. The thrust reverser sleeve assembly consists of two translating sleeve halves. Each sleeve half is composed of a supporting diaphragm structure to which are mounted slider guides, twelve movable blocker doors with associated drag links, acoustic panels, and cowl assemblies fabricated of a bonded skin and honeycomb structure. The thrust reverser sleeve assembly is an integral part of the thrust reverser and fan duct cowl assembly and remains on the strut during engine removal.
2. During flight the thrust reverser sleeve is stowed in a forward position. Fan thrust is ducted between an inner fixed cowl and the surface formed by the nested blocker doors. Actuation of the thrust reverser translates the sleeve rearward approximately 21 inches, exposing cascade vanes in the fan duct. At the same time, the translating motion causes the drag links to pivot the blocker doors into the fan exhaust. Air is thus restricted from flowing through its normal ducted outlet and is redirected forward through the cascade vanes, providing reverse thrust to the aircraft.
3. Leading Particulars (approximate)

Diameter -- 107 inches
Width -- 45 inches
Weight -- 229 lbs

78-31-45

DESCRIPTION & OPERATION

01.1

Page 1

Jul 01/03

DISASSEMBLY

NOTE: Disassemble this component only as necessary to determine the serviceability of parts, perform required repairs, and restore the unit to serviceable condition.

1. Parts Replacement (IPL Fig. 1)

NOTE: The following parts are recommended for replacement. Unless otherwise specified, actual replacement may be based on in-service experience.

A. Seal (22)

2. Disassembly

A. Thrust Reverser Sleeve Assemblies 315T4500-1, -2, -7 thru -10;
315T4026-11 thru -16 (IPL Fig. 1)

CAUTION: DO NOT REMOVE SLIDER ASSEMBLIES (476, 479, 491, 494) OR AUXILIARY SLIDER ASSEMBLIES (106, 109, 139, 142) FROM SLEEVE ASSEMBLIES. REATTACHMENT REQUIRES THE USE OF EXPENSIVE AND COMPLICATED JIGS TO PROPERLY ALIGN SLIDERS ON SLEEVE ASSEMBLY.

NOTE: For thrust reverser sleeve assemblies 315T4500-13 and on, refer to par. 2.E. below.

NOTE: Measure shim thickness to help during assembly.

(1) Separate blocker door assemblies (581 thru 593) from drag link assemblies (560) with bolts (548), washers (551, 553), bushings (557), and nuts (554).

NOTE: Do not remove bushings (566) or bearing (563) from link (569) unless repair or replacement is necessary.

(2) Remove blocker door assemblies at hinge fittings with bolts (572), washers (575), and nuts (578). Refer to par. B. below for disassembly of blocker doors.

(3) Remove retainers (31 thru 40), seal (22), and shims (43 thru 52) with bolts (25A) and washers (28).

(4) Remove bumper assembly (603) with bolt (596).

NOTE: Do not remove nutplate (602) and rivet (599) unless repair or replacement is necessary.

(5) Remove panel assembly (614) with items (605, 606, 608, 611).

(6) Remove panel assembly (326A, 329A) with items (162, 163, 166, 169).
Remove bolts (154) from cowl assy (172A).

(7) Remove fittings (199, 202) from panel assemblies (326A, 329A) with items (182 thru 198).

(8) Remove fittings (217) from panel assemblies (326A, 329A) with items (211, 214).

(9) Remove fittings (205A, 208A) from panel assemblies (326A, 329A) with items (178 thru 181, 184 thru 198).

(10) Remove inserts (223, 226, 232, 235) only if necessary.

(11) Remove actuator attach assembly (268) from panel assemblies (326A, 329A) with items (240 thru 259).

NOTE: Do not remove nutplate (265A), rivets (262), or bushings (271) from fittings (277) unless repair or replacement is necessary.

(12) Remove items (256, 284, 310, 293) and doubler assembly (296) and panel assembly (308).

(13) If necessary, remove nutplate (302) from doubler (305) with rivets (299).

(14) If necessary, remove nutplates (320, 323) from panel assemblies (326A, 329A) with rivets (317).

(15) Remove bumper assembly (67) with items (55, 58, 61, 64).

NOTE: Do not separate bumper (85) from channel (82) unless repair is necessary.

78-31-45

DISASSEMBLY

01.1

Page 302

Jul 01/03

(16) Remove panel assemblies (422A, 425A) with items (347, 362 thru 419). Remove insert (428) from panel assemblies (422A, 425A) only if necessary.

(17) Remove items (512 thru 521) and separate diaphragm assemblies (617, 620) and slider attach fittings (524A, 527A). See par. C. for disassembly of diaphragm assembly. If necessary, remove nutplates (533) from fittings (542A, 545A) with rivets (530).

B. Disassembly of Blocker Door Assemblies (IPL Fig. 2, 3, 4)

(1) IPL Fig. 2

NOTE: Do not remove hinge fitting assemblies (40, 50) from blocker door assembly unless replacement is necessary.

(a) Remove link attach fitting (85) with bolts (90), nuts (95).

NOTE: Do not remove bushings (110, 115) or rubstrip (100) unless replacement is necessary.

(b) Remove pivot link assembly (170), washers (135, 140, 145) spring (155), and bushings (160, 165) with bolt (130) and nut (150).

NOTE: Do not remove bushings (190, 195) unless replacement is necessary.

(2) IPL Fig. 3

NOTE: Do not remove hinge fitting assemblies (35, 40) from blocker door assembly unless replacement is necessary.

(a) Remove link attach fitting (60) with bolts (65), nuts (70).

NOTE: Do not remove bushings (85, 90) or rubstrip (75) unless replacement is necessary.

(b) Remove pivot link assembly (135), washers (105, 115, 120) spring (133), and bushings (125, 130) with bolt (110) and nut (100).

NOTE: Do not remove bushings (125, 130) unless replacement is necessary.

(3) IPL Fig. 4

NOTE: Do not remove hinge fitting assemblies (40 thru 55) from blocker door assembly unless replacement is necessary.

(a) Remove link attach fitting (85) with bolts (90), nuts (95).

NOTE: Do not remove bushings (110, 115) or rub strip (100) unless replacement is necessary.

(b) Remove pivot link assembly (165), washers (135, 140, 145) spring (155), and bushings (160, 163) with bolt (130) and nut (150).

NOTE: Do not remove bushings (185, 190) unless replacement is necessary.

C. Disassembly of Diaphragm Assembly (IPL Fig. 5 unless noted)

(1) Remove fitting assemblies (20, 25, 75, 80, IPL Fig. 6) from bulkhead assembly (10, 15, IPL Fig. 6) by removing bolts (30, 45, 85, 100, IPL Fig. 6), washers (35, 37, 90, IPL Fig. 6), collar (50, 105, IPL Fig. 6), and nuts (40, IPL Fig. 6).

(2) Remove bolts (109A, 295A, 305, 308, 327, 333A, 336A, 363A, 366A, 375, 411), washers (298, 339, 369), nuts (302, 342, 372), and collars (311, 330, 378, 393). Remove retainer (414), fairing (112), shims (345), and bond assembly (384, 387) from bulkhead assembly (702, 703) and ring (417, 420).

NOTE: Do not remove nutplates unless replacement is necessary.

(3) Remove bolts (708, 711), collars (714), rivets (360) and pan (348).

(4) If necessary, remove nutplates (354, 357, 426) and shim (429) from pan (348) with rivets (351, 423A).

(5) If necessary, remove clips (322, 324) and bracket (537, 585) from pan (348) with rivets (320, 351).

(6) Remove intercostals (314, 317) with bolts (208, 229, 232, 250, 274, 295A, 305, 308), washers (298), nuts (302), and collars (211, 235, 277, 311).

78-31-45

DISASSEMBLY

01.1

Page 304

Jul 01/03

- (7) Remove ring (417) and clips (169, 170, 172, 175) from bulkhead assy (702, 705) with bolts (164), collars (166) and rivets (171).
- (8) Remove clips (214, 217) with bolts (61, 79, 91, 208) or rivets (65, 83, 95) and collars (64, 82, 94, 211).
- (9) If necessary, remove stiffeners (238, 241, 244, 247) with rivets (220), bolts (223, 226, 229, 232), and collars (235).
- (10) Remove fairing assembly (31, 34) and shim (28) with bolts (16, 19, 164, 196), washers (22, 199), nuts (25, 202) and collar (166). If necessary, remove clips (169, 205) from fairing (43, 46) with rivets (10A, 13A).
- (11) If necessary, remove fairings (52, 55, 67, 73, 85, 97, 103, 106) and clips (169, 170, 172, 175) with rivets (49A, 58A, 70A, 76, 88A, 100A).
- (12) Remove fairing assembly (127 or 128) with bolts (118, 121, 196), washers (124, 199), and nuts (126, 202). If necessary, remove clips (205) from fairing (131, 127) with rivets (115A).
- (13) Remove fairing assembly (152, 153, 154, 156) with bolts (142, 145A, 196), washers (148, 199), and nuts (151, 202). If necessary, remove clips (190, 193, 205) from fairing (160, 162) with rivets (134, 136A, 139).
- (14) Remove bracket assembly (483, 549) with bolts (474, 477) and collars (480).

D. Disassembly of Hinge Bulkhead Assembly (IPL Fig. 6)

- (1) Remove fitting assemblies (20, 25, 75, 80) with bolts (30, 45, 85, 100), washers (35, 90), collar (50, 105), and nuts (40, 95).

NOTE: Do not remove bushings (55, 60, 110, 115, 120) unless replacement is necessary.

E. Thrust Reverser Sleeve Assemblies 315T4500-13 thru -18, -21 thru -56
(IPL Fig. 7)

CAUTION: DO NOT REMOVE SLIDER ASSEMBLIES (588, 592) OR AUXILIARY SLIDER ASSEMBLIES (112, 116) FROM SLEEVE ASSEMBLIES. REATTACHMENT REQUIRES THE USE OF EXPENSIVE AND COMPLICATED JIGS TO PROPERLY ALIGN SLIDERS ON SLEEVE ASSEMBLY.

NOTE: Measure shim thickness to help during assembly.

- (1) Separate blocker door assemblies (752 thru 768) from drag link assemblies (720) with bolts (700), washers (704, 708), bushings (726), and nuts (712).

NOTE: Do not remove bushings (728) or bearing (724) from link (732) unless repair or replacement is necessary.

- (2) Remove blocker door assemblies at hinge fittings with bolts (736), washers (740), and nuts (744). Refer to par. G. for disassembly of blocker doors.

- (3) Remove retainers (36 thru 48), and seal (24) with bolts (28A) and washers (32).

- (4) Remove bumper assembly (784) with bolts (772).

NOTE: Do not remove nutplate (780) or rivets (776) unless repair or replacement is necessary.

- (5) Remove panel assembly (804) with items (788, 792, 796, 800).

- (6) Remove panel assembly (404, 408) with items (180, 184, 188, 192). Remove bolts (172) from cowl assy (196).

- (7) Remove fittings (240, 244) from panel assemblies (404, 408) with items (212 thru 236).

- (8) Remove fittings (264) from panel assemblies (404, 408) with items (256, 260).

- (9) Remove fittings (248, 252) from panel assemblies (404, 408) with items (204, 208, 216 thru 236).

- (10) Remove inserts (272, 276, 292, 296) or barrel inserts (280, 284) and shim (286) only if necessary.

78-31-45

DISASSEMBLY

01.1

Page 306

Jul 01/03

- (11) Remove actuator attach assembly (340) from panel assemblies (404, 408) with items (300B thru 324).

NOTE: Do not remove nutplate (336), rivets (328), or bushings (344, 348) from fittings (352) unless repair or replacement is necessary.

- (12) Remove items (320, 356, 364A, 368) and doubler assembly (372) and panel assembly (388).

- (13) If necessary, remove nutplate (380) from doubler (384) with rivets (376).

- (14) If necessary, remove nutplates (396, 400) from panel assemblies (404, 408) with rivets (392).

- (15) Remove bumper assembly (68) with items (52, 56, 60, 64).

NOTE: Do not separate bumper (88) from channel (84) unless repair is necessary.

- (16) Remove panel assemblies (516, 520) with items (436, 456 thru 512). Remove insert (524) from panel assemblies (516, 520) only if necessary.

- (17) Remove items (636 thru 648) and separate diaphragm assemblies (808, 812) and slider attach fittings (652, 656). See par. F. for disassembly of diaphragm assembly. If necessary, remove nutplates (664) from fittings (668, 672) with rivets (530).

F. Disassembly of Diaphragm Assembly (IPL Fig. 8)

- (1) Remove fitting assemblies (850, 855, 905, 910) with bolts (860, 865, 915, 920), washers (870, 925) and collars (875, 930).

NOTE: Do not remove bushings (880, 885, 890, 935, 940) unless replacement is necessary.

- (2) Remove bolts (135, 560, 575, 580, 675, 670, 675, 685, 705, 730, 735, 750, 755, 780), washers (565, 710, 740), nuts (570, 715, 745), and collars (585, 680, 760). Remove fairing (180) and bond assembly (770, 775) from bulkhead assembly and ring (830, 835).

NOTE: Do not remove nutplates unless replacement is necessary.

- (3) Remove bolts (615, 620, 640), collars (625, 645), and rivets (630, 635) and pan (720).

- (4) If necessary, remove nutplates (695, 700) from pan (720) with rivets (690).

78-31-45

DISASSEMBLY

01.1

Page 307

Jul 01/03

- (5) If necessary, remove clips (605, 610) and bracket (655, 660) from pan (720) with rivets (600, 650).
- (6) Remove stiffeners (420, 425, 430, 435) and doublers (555) from intercostals (590, 595) with bolts (355, 405, 410, 480, 545, 560, 575, 580, 585), washers (565), nuts (570), and collars (360, 415, 490, 550, 585).
- (7) Remove ring (830) and clips (280, 285, 310, 315) from the bulkhead assembly with bolts (270), collars (275), and rivet (305).
- (8) Remove clips (365, 370) and shims (90) with bolts (30, 70, 100, 355) or rivets (40, 80, 110) and collars (35, 75, 105, 360).
- (9) If necessary, remove stiffeners (420, 425, 430, 435) with rivets (375, 380), bolts (385, 395, 400, 405, 410), and collars (390, 415).
- (10) Remove fairing assembly (170, 175) with bolts (150, 155, 270, 335), washers (160, 340), nuts (165, 345) and collar (275). If necessary, remove clips (280, 350) and shims (185, 190) from fairing (170, 175) with rivets (140, 145).
- (11) If necessary, remove fairings (15, 20, 45A, 55, 85, 115A, 125, 130), shims (60), and clips (310, 315) with rivets (10, 25, 50, 65, 95, 120).
- (12) Remove fairing (220) with bolts (200, 205, 335), washers (210, 340), and nuts (215, 345). If necessary, remove clips (350) from fairing (220) with rivets (195).
- (13) Remove fairing (260, 265) with bolts (240, 255, 335), washers (245, 340), and nuts (250, 345). If necessary, remove clips (325, 330, 350) from fairing (260, 265) with rivets (225, 230, 235).
- (14) Remove fitting (820, 825) with bolts (805, 810) and collars (815).

G. Disassembly of Blocker Door Assemblies (IPL Fig. 9, 10, 11)

- (1) IPL Fig. 9

NOTE: Do not remove hinge fitting assemblies (10, 50) from blocker door assembly unless replacement is necessary.

- (a) Remove drag link attach fitting (90) with bolts (95) and nuts (100).

NOTE: Do not remove bushings (160) or wear pad (165) unless replacement is necessary.

78-31-45

DISASSEMBLY

01.1

Page 308

Jul 01/03

(b) Remove pivot link assembly (140), washers (110, 115), spacer (135), springs (130), and bushing (125) with bolt (105) and nut (120).

NOTE: Do not remove bushings (145) unless replacement is necessary.

(2) IPL Fig. 10

NOTE: Do not remove hinge fitting assemblies (5, 35) from blocker door assembly unless replacement is necessary.

(a) Remove drag link attach fitting (65) with bolts (70) and nuts (75).

NOTE: Do not remove bushings (135) or wear pad (140) unless replacement is necessary.

(b) Remove pivot link assembly (115), washers (85, 90), spacer (110), springs (105), and bushing (100) with bolt (80) and nut (95).

NOTE: Do not remove bushings (120) unless replacement is necessary.

(3) IPL Fig. 11

NOTE: Do not remove hinge fitting assemblies (10, 15, 50, 55) from blocker door assembly unless replacement is necessary.

(a) Remove drag link attach fitting (90) with bolts (95) and nuts (100).

NOTE: Do not remove bushings (160) or wear pad (165) unless replacement is necessary.

(b) Remove pivot link assembly (140), washers (110, 115), spacer (135), springs (130), and bushing (125) with bolt (105) and nut (120).

NOTE: Do not remove bushings (145) unless replacement is necessary.

CHECK

1. Examine all parts for defects by standard industry practices. Do the magnetic particle check and penetrant check if the visual checks find possible defects.
2. Examine seal (22, Fig. 1) for deterioration and wear and check for a good bond.
3. Penetrant check (SOPM 20-20-02).
 - A. Fittings (199, 202, 205A, 208A, 277, Fig. 1) (105, Fig. 2) (80, Fig. 3), (105, Fig. 4), (405A, 408A, Fig. 5) (65, 70, 125, 130, Fig. 6) (240, 244, 248, 252, 352, IPL Fig. 7) (820, 825, 945, 950, IPL Fig. 8)
 - B. Hinges (65 thru 80, Fig. 2), (50, 55, Fig. 3), (65 thru 80, Fig. 4)
 - C. Bracket (435, 438, Fig. 5)
 - D. Slider (485, 488, 506, 509, Fig. 1) (600, 604, IPL Fig. 7)
 - E. Spring (155, Fig. 2) (133, Fig. 3) (155, Fig. 4) (130, IPL Fig. 9) (105, IPL Fig. 10) (130, IPL Fig. 11)
 - F. Ring (417, 420, Fig. 5)
 - G. Links (200, Fig. 2), (165, 170, Fig. 3), (195, 200, Fig. 4)
4. Magnetic particle check (SOPM 20-20-01).
 - A. Drag link (569, Fig. 1) (732, IPL Fig. 7)
5. Check honeycomb and bonded parts for evidence of delamination, internal water, scratches, and contour defects.
 - A. If you see delamination or impact damage on a visual check, do an ultrasonic inspection or a tap test to find all of the damage.

NOTE: For the tap test, use a solid metal disk and tap the surface area lightly but firmly. Void areas will produce a dull sound as opposed to a sharp ring on a solid bonded area. Refer to 747/767 Nondestructive Test Manual, Part 1, 51-05-01.

78-31-45

CHECK

01.1

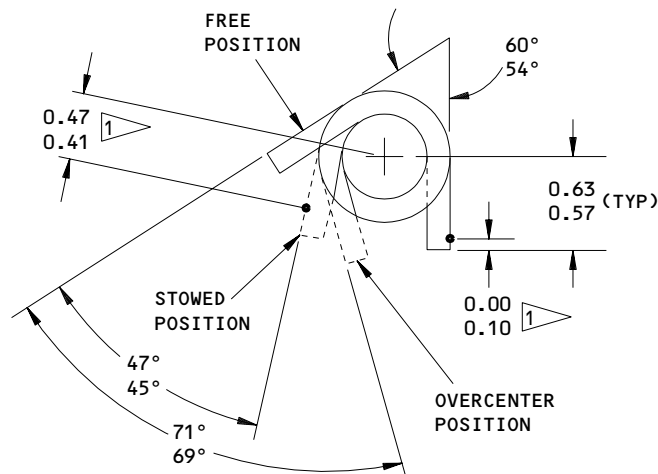
Page 501

Jul 01/03

- B. Examine areas suspected of containing water radiographically or by thermography as shown in 747/767 Nondestructive Test Manual, Part 9, 51-00-01.
- 6. Refer to the 747 or 767 Structural Repair Manual, 54-30-01 and 54-30-02 for damage limits and repair instructions.
- 7. Examine fitting assemblies (40 thru 55, Fig. 2) (35, 40, Fig. 3) and (40 thru 55, Fig. 4) for wear, notches or grooves on the area around the bearing hole. Minimum permitted lug thickness at damaged area is 0.190 inch. Refer to REPAIR section for repair instructions.
- 8. Spring Check
- A. Do a load check of the per Fig. 501 and 501A, as applicable.

78-31-45

CHECK
01.1 Page 502
Jul 01/03



ITEM & FIG. NO.	TEST DEFLECTION (DEGREES FROM FREE POSITION)	LOAD LIMITS (POUND-INCHES)
155, FIG. 2	46	46.0 MINIMUM
133, FIG. 3	70	67.5 MAXIMUM
155, FIG. 4		

 HOLD SPRING HERE DURING THE TEST

ALL DIMENSIONS ARE IN INCHES

315T3583-2
Spring Check
Figure 501

78-31-45

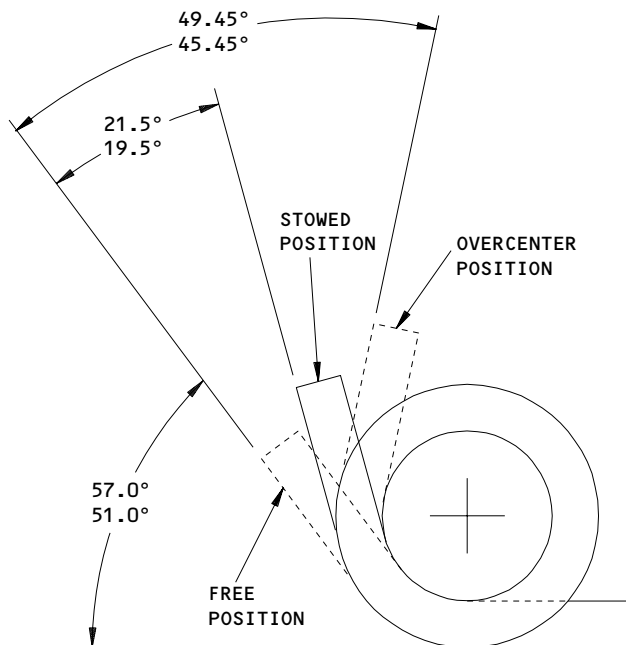


FIG. NO. & ITEM	TEST DEFLECTION (DEGREES FROM FREE POSITION)	LOAD LIMITS (POUND-INCHES)
FIG. 9; 130	19.5-21.5	9.90-12.10
FIG. 10; 105	45.45-49.450	22.90-28.98
FIG. 11; 130		

315T3583-2
 Spring Check
 Figure 501A

78-31-45

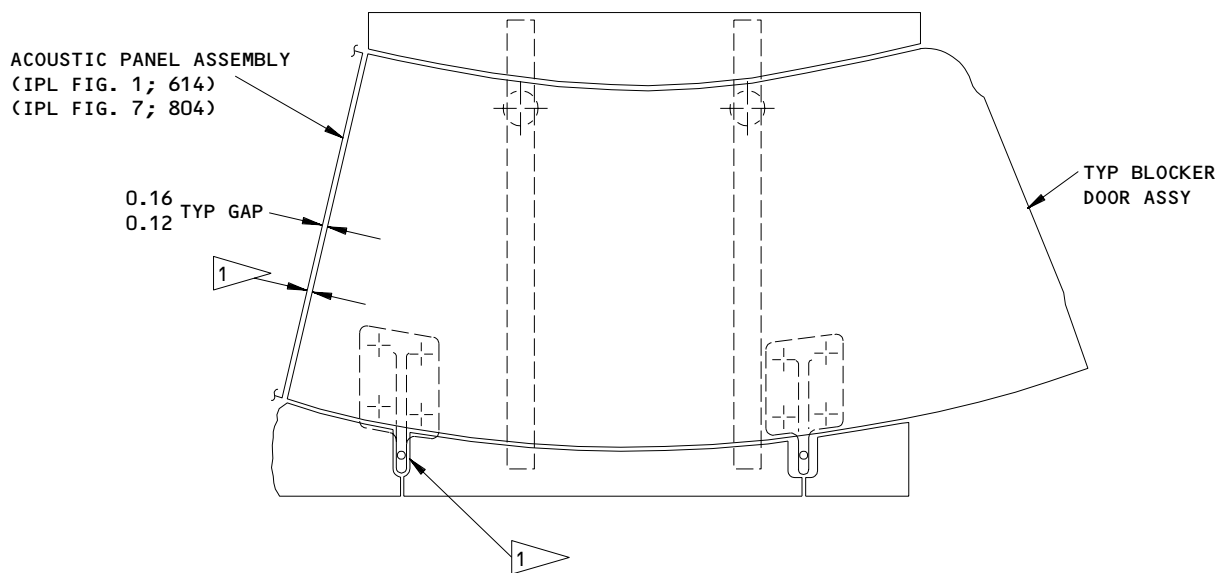
CHECK
 Page 504
 Jul 01/03

01.1


- | 9. Blocker Door Assembly Check (IPL Fig. 1 and 7)
 - | A. Make a check of the side play of blocker door assemblies (581 thru 593, IPL Fig. 1 or 752 thru 767, IPL Fig. 7) (Fig. 502).
 - | B. Make sure that nut (578, IPL Fig. 1 or 744, IPL Fig. 7) does not bottom out on bolt (572, IPL Fig. 1 or 736, IPL Fig. 7).
 - | C. On composite door, examine for resin cracks (Fig. 503).

78-31-45

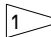
CHECK
01.1 Page 505
Jul 01/03



CHECK

WITH A SCREWDRIVER, MAKE SURE THE SIDE PLAY OF BLOCER DOOR ASSY IS NOT MORE THAN 0.008 INCH PER 

ALL DIMENSIONS ARE IN INCHES

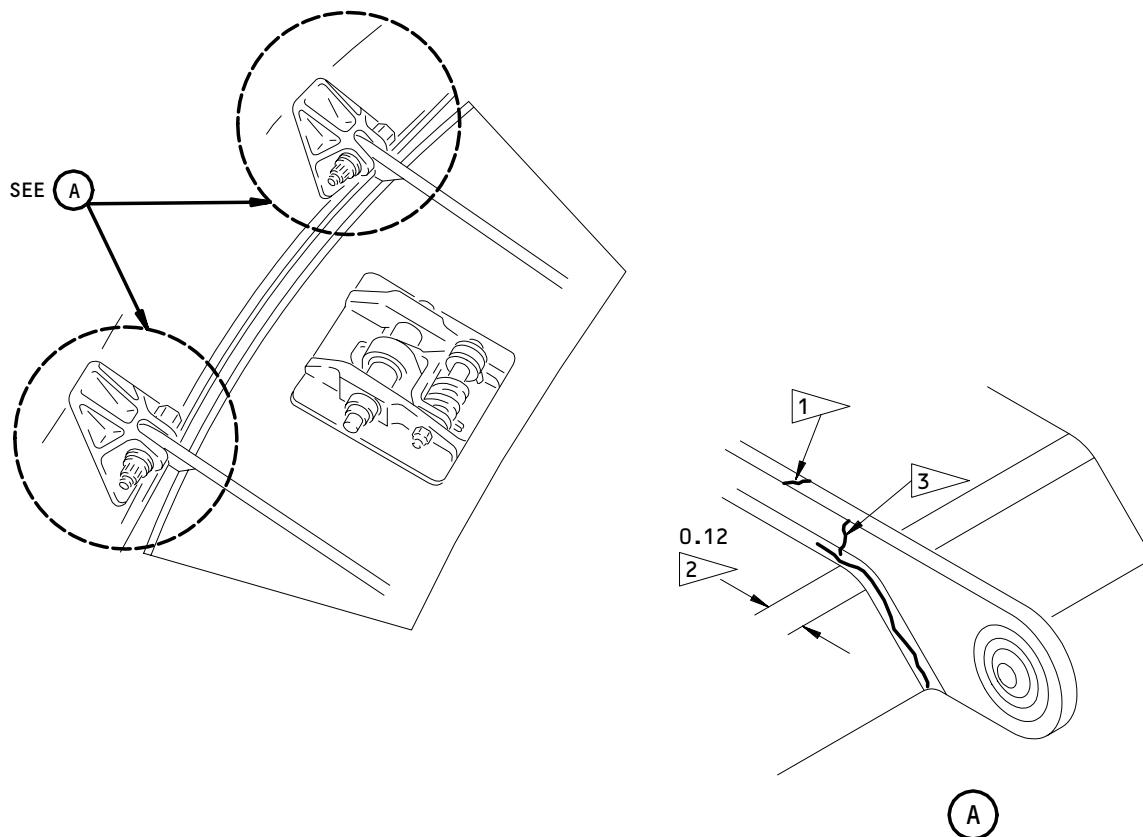
 SIDE PLAY CAN BE MEASURED AT BLOCER DOOR HINGE JOINT OR BETWEEN BLOCER DOOR ASSEMBLY EDGE AND ACOUSTIC PANEL ASSEMBLY

Blocker Door Assembly Check
Figure 502

78-31-45

CHECK
Page 506
Jul 01/03

01.1



- 1 RESIN CRACKS THAT RUN ACROSS THE TOP OF THE LUG WHICH ARE NOT CONNECTED TO THE HINGE INTERSECTION CRACK ARE ACCEPTABLE.
- 2 RESIN CRACKS ARE ALLOWED TO RUN THE FULL LENGTH OF THE HINGE INTERSECTION, BUT CANNOT EXCEED 0.12 INCH BEYOND RADIUS ONTO BACK STRUCTURE OF DOOR. RESIN CRACKS ON BOTH SIDES OF THE LUG ARE ACCEPTABLE.
- 3 RESIN CRACKS FROM HINGE INTERSECTION ARE NOT ALLOWED TO EXTEND ONTO THE TOP OF THE LUG.

ALL DIMENSIONS ARE IN INCHES

Composite Blocker Door Check
Figure 503

C39593

78-31-45

CHECK
01.1 Page 507
Jul 01/03

REPAIR – GENERAL

NOTE: Refer to Structural Repair Manual, Chapter 54, for repair of structural components and honeycomb core.

1. Content

A. Repair, refinish and replacement procedures, as applicable, are included in separate repair sections as follows:

<u>P/N</u>	<u>NAME</u>	<u>REPAIR</u>
315T3505	SLIDER ASSY	1-1
315T3506	AUX SLIDER ASSY	2-1
315T4402	AUX SLIDER ASSY	2-1
315T3511	DRAG LINK ASSY	3-1
315T3518	ACOUSTIC PANEL ASSY	4-1
315T3521	ACOUSTIC PANEL ASSY	4-1
315T3522	HINGE FITTING ASSY	5-1
315T3522	HINGE FITTING	5-2
315T3561	ACTUATOR ATTACH FTG	6-1
315T3561	FITTING	6-2
315T3563	OUTER COWL PANEL ASSY	7-1

<u>P/N</u>	<u>NAME</u>	<u>REPAIR</u>
315T3507	BLOCKER DOOR ASSY	8-1
315T3508	BLOCKER DOOR ASSY	8-1
315T3509	BLOCKER DOOR ASSY	8-1
315T4507	BLOCKER DOOR ASSY	8-1
315T4508	BLOCKER DOOR ASSY	8-1
315T4509	BLOCKER DOOR ASSY	8-1
315T3580	HINGE FITTING ASSY	9-1, 9-2
315T3584	HINGE FITTING ASSY	9-1, 9-2
315T4518	HINGE FITTING ASSY	9-1, 9-2
315T3581	LINK ATTACH FITTING ASSY	10-1
315T4511	LINK ATTACH FITTING ASSY	10-1
315T3592	PIVOT LINK ASSY	11-1
315T4514	PIVOT LINK ASSY	11-1
315T4502	ACOUSTIC PANEL ASSY	12-1
- - -	MISCELLANEOUS PARTS REFINISH	13-1

78-31-45

REPAIR-GENERAL

01.1

Page 602

Jul 01/03

2. Standard Practices

- A. Refer to the following standard practices, as applicable, for details of procedures in each individual repair.

20-30-02 Stripping of Protective Finishes
20-30-03 General Cleaning Procedures
20-41-01 Decoding Table for Boeing Finish Codes
20-41-02 Application of Chemical and Solvent Resistant Finishes
20-41-04 Application and Repair of Interior Decorative Finishes
20-42-03 Hard Chrome Plating
20-42-05 Bright Cadmium Plating
20-43-03 Chemical Conversion Coatings for Aluminum
20-44-02 Temporary Protective Coatings
20-50-03 Bearing and Bushing Replacement
20-50-08 Application of Bonded Solid Film Lubricant
20-50-12 Application of Adhesives
20-50-19 General Sealing
20-60-01 Cleaning Materials
20-60-02 Finishing Materials
20-60-03 Lubricants
20-60-04 Miscellaneous Materials

3. Materials

NOTE: Equivalent substitutes can be used.

- A. Adhesive -- BMS 5-137 (BAC5514-5137)
B. Adhesive -- BMS 5-44, Type 44 (SOPM 20-50-12)
C. Adhesive -- Dow Corning 93-076, Type 68 (SOPM 20-50-12)
D. Adhesive -- BMS 5-148 (SOPM 20-60-04)

78-31-45

REPAIR-GENERAL

01.1

Page 603

Mar 01/04

- E. Enamel -- BMS 10-86, Type 1, White (SOPM 20-60-02)
- F. Enamel -- BMS 10-60, Type 2, Gloss (SOPM 20-60-02).
- G. Lubricant -- BMS 3-8 (SOPM 20-60-03)
- H. Lubricant -- EverLube 967 (SOPM 20-60-03)
- I. Methyl Ethyl Ketone (SOPM 20-60-01)
- J. Primer -- BMS 10-11, Type 1 (SOPM 20-60-02)
- K. Scotch Brite (SOPM 20-60-04)
- L. Sealant -- BMS 5-26 (SOPM 20-60-04)

4. Equipment

- A. Clam Shell Equipment -- A78014-1
- B. Pipe, Heat Shrinkable Tubing -- Locally made
- C. Blocker Door Hinge Replacement Jig -- A78015

5. Dimensioning Symbols

- A. Standard True Position Dimensioning Symbols used in applicable repair procedures are shown in SOPM 20-00-00.

78-31-45

REPAIR-GENERAL

01.101

Page 604

Mar 01/04

SLIDER ASSEMBLY - REPAIR 1-1

315T3505-1, -2, -13, thru -18, -23, -24,
-27 thru -32, -35 thru -38

NOTE: Refer to REPAIR - GENERAL for a list of applicable standard practices.
This repair for Rulon J tape replacement is intended to be done with the
slider attached to the thrust reverser sleeve.

1. Rulon J Tape Replacement (IPL Fig. 1)

- A. Remove Rulon J tape (482, 497, IPL Fig. 1; 596, 616, IPL Fig. 7) and all traces of tape adhesive from slider (485, 488, 506, 509, IPL Fig. 1; 600, 604, 628, IPL Fig. 7) as specified in SOPM 20-30-03.
- B. Prepare aluminum slider for bonding by accomplishing the anodizing and priming specified in BAC5514, BAC5514-5137 and BAC5555.
- C. Solvent clean the Rulon J tape (482, 497, IPL Fig. 1; 596, 616, IPL Fig. 7) as specified in SOPM 20-30-03.
- D. Bond Rulon J tape (482, 497, IPL Fig. 1; 596, 616, IPL Fig. 7) to slider (485, 488, 506, 509, IPL Fig. 1; 600, 604, 628, IPL Fig. 7) using one of the following methods:
 - (1) Clam Shell Method:
 - (a) Bond Rulon J tape (482, 497, IPL Fig. 1; 596, 616, IPL Fig. 7) to slider (485, 488, 506, 509, IPL Fig. 1; 600, 604, 628, IPL Fig. 7) using BMS 5-137, Type II, Class I, Grade 10 adhesive as specified in BAC5514-5137.
 - (b) Place clam shell equipment A78014-1 over Rulon J and clamp tightly in place as shown in Fig. 602.

78-31-45

REPAIR 1-1

01.1

Page 601

Mar 01/04

- (c) Cure the bond as specified in BAC5514-5137.
- (2) Heat Shrinkable Tubing in Pipe Method:
 - (a) Bond Rulon J tape 482, 497, IPL Fig. 1; 596, 616, IPL Fig. 7) to slider (485, 488, 506, 509, IPL Fig. 1; 600, 604, 628, IPL Fig. 7) using BMS 5-137, Type II, Class I, Grade 10 adhesive as specified in BAC5514-5137.
 - (b) Make a loop in the shrink tubing and insert through the slot in the pipe as shown in Fig. 603.
- CAUTION:** EXCESSIVE HEAT MAY DAMAGE PARTS OF THE SLEEVE ASSEMBLY. TO PREVENT DAMAGE, SHIELD SLEEVE ASSEMBLY WHEN APPLYING HEAT TO SLIDER.
- (c) Slide tubing and pipe assembly over Rulon J as shown in Fig. 603. Apply heat uniformly to shrink material with a hot air gun by blowing hot air over and through the pipe.
- (d) Cure the bond as specified in BAC5514-5137.
- E. Reactivate primed surfaces of slider (485, 488, 506, 509, IPL Fig. 1; 600, 604, 628, IPL Fig. 7) after bonding Rulon J tape (482, 497, IPL Fig. 1; 596, 616, IPL Fig. 7) as specified in SOPM 20-41-02 except use a scotch brite pad to remove gloss.
- F. Apply 1 coat of BMS 10-11, Type I primer (F-20-02) to the slider surfaces as specified in SOPM 20-41-02 and as shown in Fig. 601.

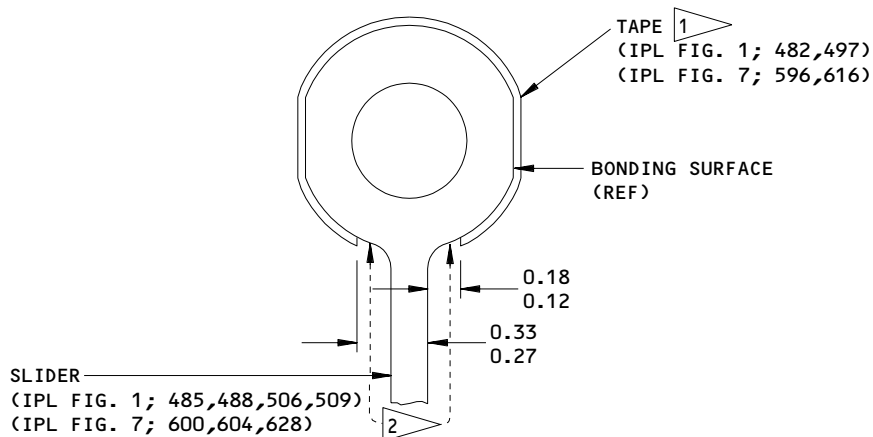
78-31-45

REPAIR 1-1

01.1

Page 602

Mar 01/04



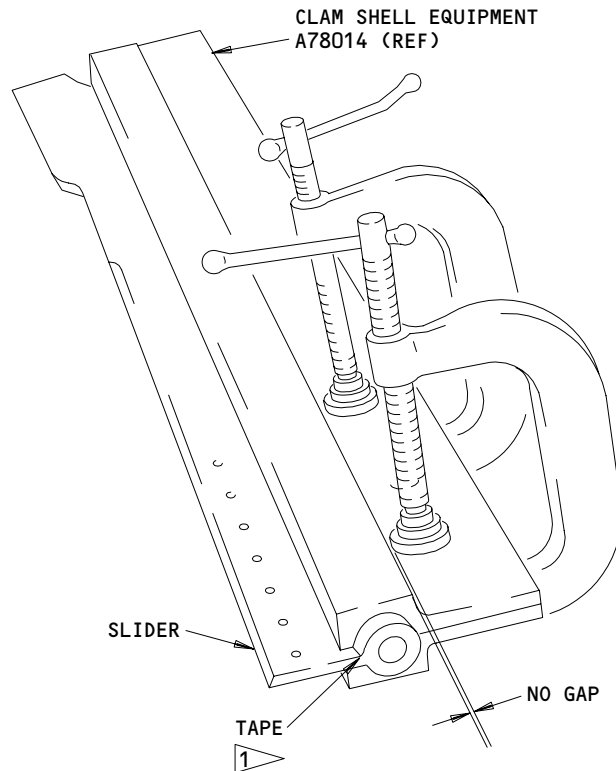
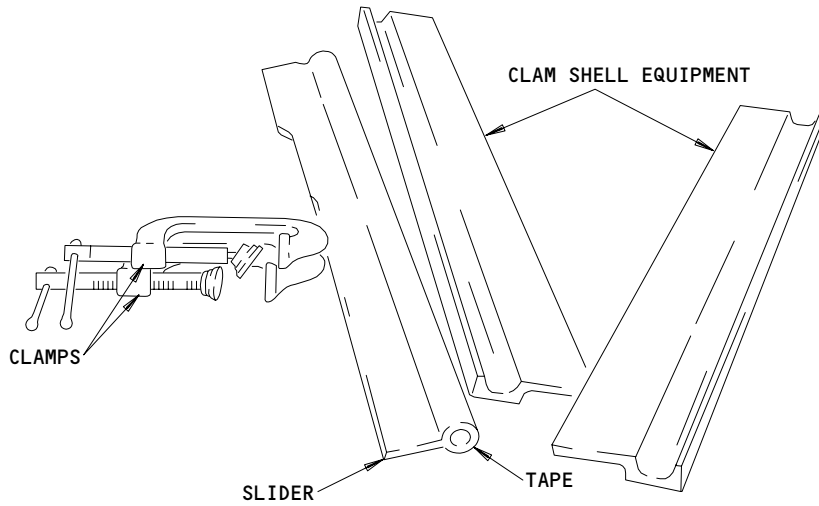
- 1 BOND RULON J TAPE TO SLIDER IN LOCATION SHOWN. DARK BROWN SIDE OF TAPE IS THE BONDING SIDE
- 2 APPLY BMS 10-11, TYPE 1 PRIMER (F-20.02). NO OVERSPRAY ONTO BONDING SURFACE ALLOWED

MATERIAL: AL ALLOY
ALL DIMENSIONS ARE IN INCHES

315T3505-1,-2,-13 THRU -18,-23,-24,-27 THRU -32,-35 THRU -38
Slider Assembly Repair
Figure 601

78-31-45
REPAIR 1-1
Page 603
Mar 01/04

01.1



NOTE: THIS REPAIR IS INTENDED TO BE ACCOMPLISHED WITH SLIDER ASSY ATTACHED TO THRUST REVERSER SLEEVE. THRUST REVERSER SLEEVE IS NOT SHOWN ON THIS FIG. FOR CLARITY.

1 RULON J TAPE AND CLAM SHELL EQUIPMENT MUST COVER ENTIRE LENGTH OF SLIDER

Clam Shell Mold
 Figure 602

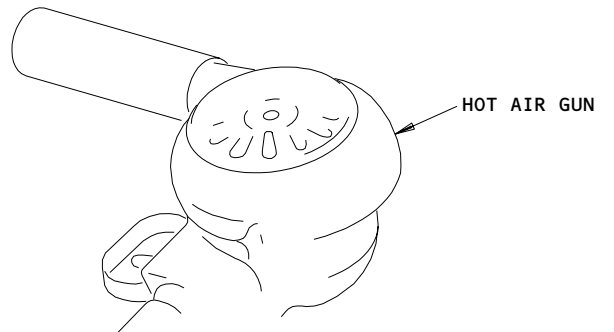
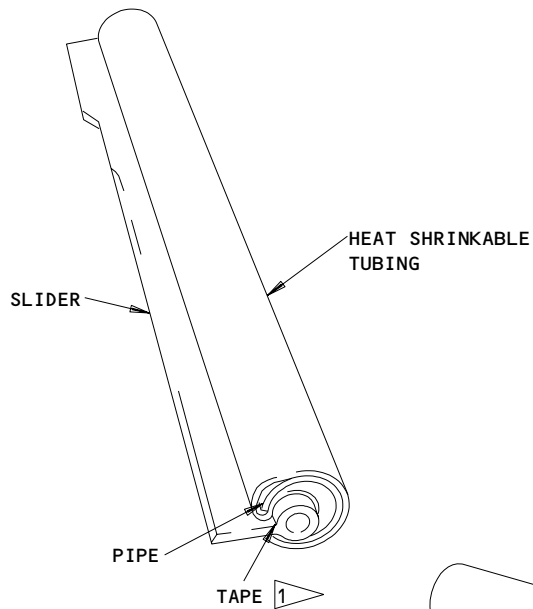
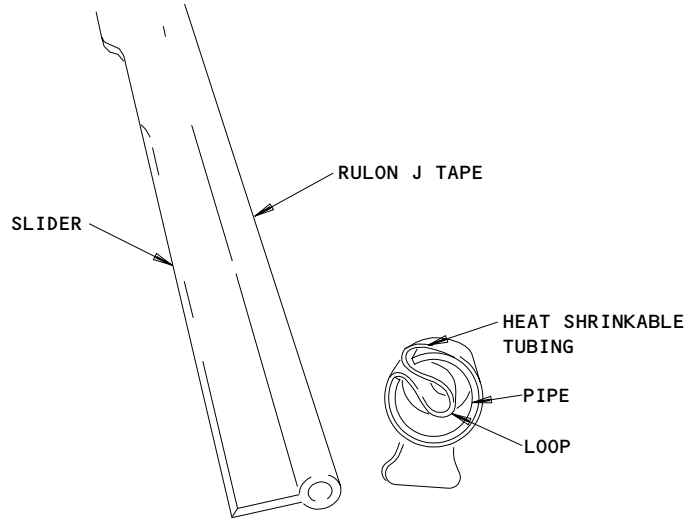
78-31-45

REPAIR 1-1

01.101

Page 604

Mar 01/04



NOTE: THIS REPAIR IS INTENDED TO BE ACCOMPLISHED WITH SLIDER ASSY ATTACHED TO THRUST REVERSER SLEEVE. THRUST REVERSER SLEEVE IS NOT SHOWN IN THIS FIG. FOR CLARITY.

1 RULON J TAPE AND HEAT SHRINKABLE TUBING MUST COVER ENTIRE LENGTH OF SLIDER

Heat Shrink Tubing in Pipe
Figure 603

78-31-45

REPAIR 1-1

01.101

Page 605

Mar 01/04

AUXILIARY SLIDER ASSEMBLY – REPAIR 2-1

315T3506-35, -36, -39, -40, -43, -44, -47, -48, -51, -52
315T4402-25 thru -28

NOTE: Refer to REPAIR – GENERAL for a list of applicable standard practices.

This repair for Rulon J tape replacement is intended to be done with the slider attached to the thrust reverser sleeve. If the optional BMS 5-148 adhesive is used to bond the Rulon J tape, the slider must be removed from the sleeve first.

1. Rulon J Tape Replacement (IPL Fig. 1)##

- A. Remove Rulon J tape (118, 118A, 151, 151A, Fig. 1; 128, 168, Fig. 7) and all traces of tape adhesive from auxiliary slider (112, 112B, 115, 115B, 145, 145A, 148, 148A, Fig. 1; 120, 124, 160, 164, Fig. 7) as specified in SOPM 20-30-03.
- B. Prepare Cress auxiliary slider for bonding as specified in BAC5571.
- C. Apply BMS 5-137, Type I primer to the bonding surface of auxiliary slider (112, 112B, 115, 115B, 145, 145A, 148, 148A, Fig. 1; 120, 124, 160, 164, Fig. 7) as specified in BAC5514-5137.
- D. Bond Rulon J tape (118, 118A, 151, 151A, Fig. 1; 128, 168, Fig. 7) to slider (112, 112B, 115, 115B, 145, 145A, 148, 148A, Fig. 1; 120, 124, 160, 164, Fig. 7) using BMS 5-137, Type 2, Class 1, Grade 5 adhesive as specified in BAC5514-5137.
- E. Reactivate primed surfaces of auxiliary slider (112, 112B, 115, 115B, 145, 145A, 148, 148A, Fig. 1; 120, 124, 160, 164, Fig. 7) after bonding Rulon J tape (118, 118A, 151, 151A, Fig. 1; 128, 168, Fig. 7) as specified in SOPM 20-41-02 except use scotchbrite to remove gloss.

78-31-45

REPAIR 2-1

01.1

Page 601

Mar 01/04

- F. Apply 1 coat of BMs 10-11, Type I primer (F-20-02) to the auxiliary slider surfaces shown in Fig. 601 and as specified in SOPM 20-41-02.

78-31-45

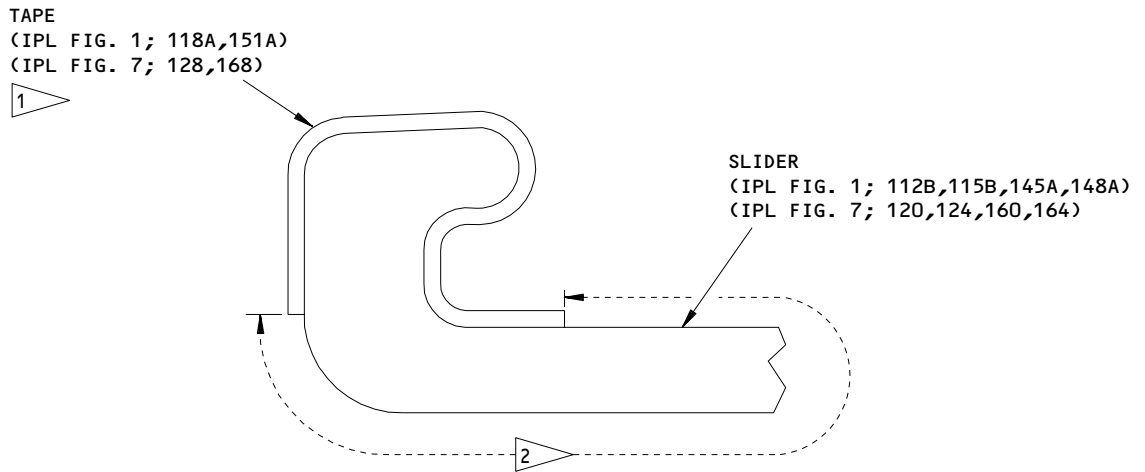
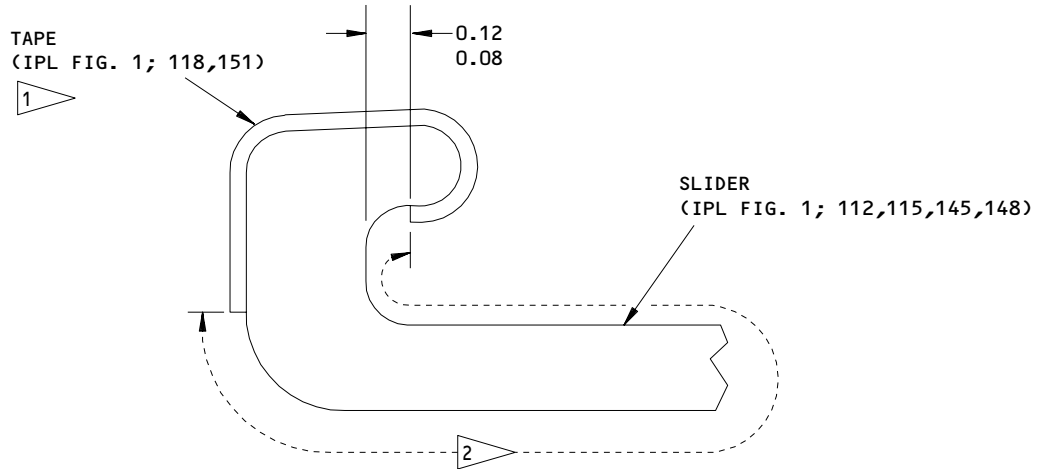
REPAIR 2-1

01.1

Page 602

Mar 01/04

BOEING
COMPONENT
MAINTENANCE MANUAL



1 BOND RULON J TAPE TO SLIDE IN LOCATION SHOWN. DARK BROWN SURFACE OF THIS TAPE IS THE BONDING SURFACE

2 FINISH: MASK RULON J TAPE AND APPLY BMS 10-11, TYPE 1 PRIMER (F-20.02) NO OVERSPRAY TO BONDING SURFACE IS PERMITTED

MATERIAL: SLIDER- 15-5PH CRES
TAPE- TEFLON

ALL DIMENSIONS ARE IN INCHES

315T3506-35,-36,-39,-40,-43,-44,-47,-48,-51,-52

315T4402-25 thru -28

Auxiliary Slider Assembly Repair

Figure 601

78-31-45

REPAIR 2-1

01.101

Page 603

Mar 01/04

DRAG LINK ASSEMBLY – REPAIR 3-1

315T3511-3, -5

NOTE: Refer to REPAIR – GENERAL for a list of applicable standard practices.
Refer to IPL Fig. 1 or 7 for item numbers.

1. Bushing Replacement (Fig. 601)

- A. Remove the old bushings.
- B. Install replacement bushings by the shrink-fit method (SOPM 20-50-03).
- C. Make a check of the dimensions and machine them as necessary.

2. Bearing Replacement (Fig. 601)

- A. Remove the old bearing.
- B. Install a replacement bearing. Be sure to turn the bearing race slot as shown.
- C. Roller swage or anvil swage the bearing (563) (SOPM 20-50-03).
- D. Give the bearing a pushout load test, with a minimum pushout load of 1812 pounds.

3. Drag Link Refinish

- A. Passivate the drag link (F-17.25, which replaces F-17.09). Material: 15-5PH CRES, 180-200 ksi.

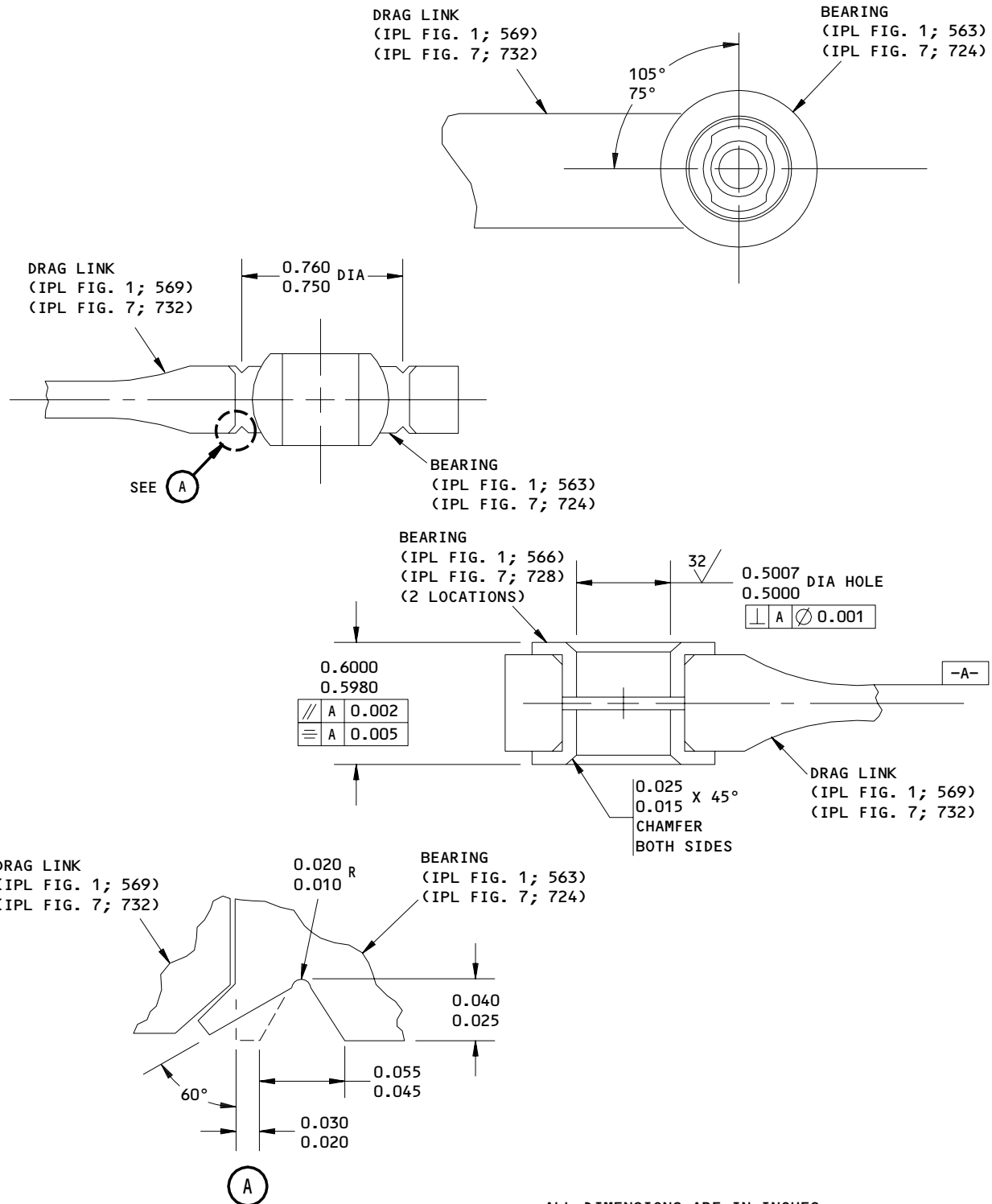
78-31-45

REPAIR 3-1

01.1

Page 601

Jul 01/03



ALL DIMENSIONS ARE IN INCHES

315T3511-3,-5
 Bushing and Bearing Replacement
 Figure 601

78-31-45

REPAIR 3-1

Page 602

Jul 01/03

01.1

ACOUSTIC PANEL ASSEMBLY – REPAIR 4-1

315T3521-14
315T3518-1

| 1. Coating Repair

- | A. Repair is only replacement of the original finish. Refer to Refinish instructions, Fig. 601. Refer to REPAIR – GENERAL for a list of applicable standard practices.

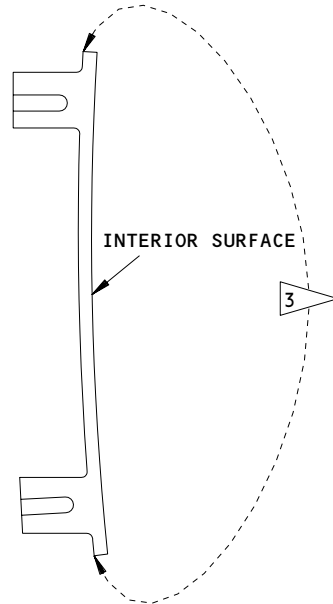
78-31-45

REPAIR 4-1

01.1


Page 601

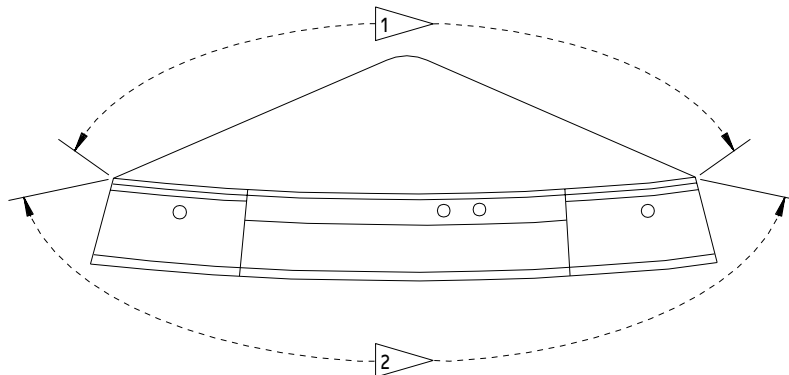
Jul 01/03



315T3518-1 ONLY

REFINISH

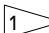
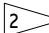
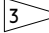
APPLY BMS 10-103 TYPE 1 PRIMER OR
 BMS 10-79 TYPE 3 PRIMER (F-19.52)
 ALL OVER. APPLY ALUMINIZED EPOXY
 PRIMER PER 



315T3521-14 ONLY

REFINISH

APPLY PRIMER TO SURFACES PER  

-  REACTIVATE ADHESIVE PRIMED EXPOSED SURFACE PER SOPM 20-41-02, BUT USE SCOTCH-BRITE TO REMOVE GLOSS. APPLY ALUMINIZED EPOXY PRIMER (F-14.963, WHICH REPLACES SRF-14.963)
-  APPLY BMS 10-11, TYPE 1 PRIMER (F-20.02)
-  ON INTERIOR AND EDGES ONLY, APPLY BMS 10-21 CONDUCTIVE COATING (F-14.685, WHICH REPLACES SRF-14.68), THEN APPLY ALUMINIZED EPOXY PRIMER (F-14.963, WHICH REPLACES SRF-14.963)

MATERIAL:
 315T3518-1: NYLON
 315T3521-14: AL ALLOY

315T3518-1
 315T2521-14
 Acoustic Panel Assembly Repair
 Figure 601

78-31-45

REPAIR 4-1
 Page 602
 Jul 01/03

01.1

HINGE FITTING ASSEMBLY - REPAIR 5-1

315T3522-25 thru -28, -33 thru -36, -39, -40, -43,
-44, -47, -48, -53 thru -56

NOTE: Refer to REPAIR - GENERAL for a list of applicable standard practices.
Refer to IPL Fig. 6 or 8 for item numbers.

1. Bushing Replacement (Fig. 601)

- A. Remove the old bushings.
- B. If you find defects on the fitting, refer to REPAIR 5-2 for repair instructions.
- C. Install replacement flanged bushings (60, 115, 120, IPL Fig. 6; 885, 890, 940, IPL Fig. 8) by the shrink-fit method (SOPM 20-50-03).
- D. Machine the flanged bushings to design dimensions and finish.
- E. Seal all flanged bushings with BMS 5-26 sealant (SOPM 20-50-19).
- F. Apply 0.0003-0.0005 inch thick BMS 3-8, dry film lubricant, per SOPM 20-50-08 method 3, to bushings (55, 110, Fig. 6; 880, 935, IPL Fig. 8).
- G. Install bushings (55, 110) as shown and temporarily hold in position with aluminum wire.

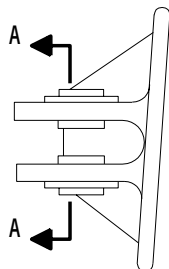
78-31-45

REPAIR 5-1

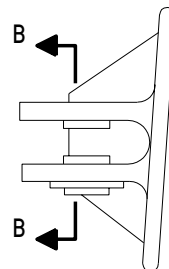
01.1

Page 601

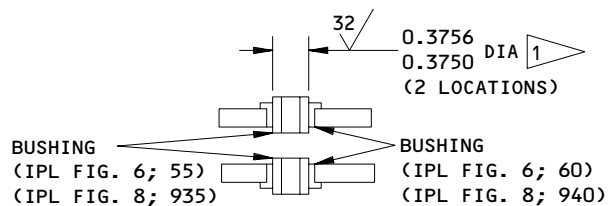
Jul 01/03



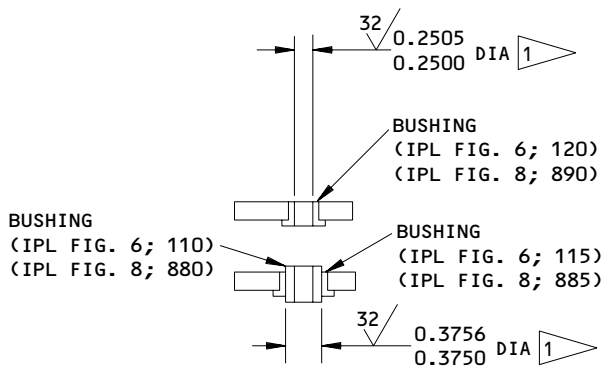
315T3522-25,-27,-33,-35,-39,
 -43,-47,-53,-55



315T3522-26,-28,-34,-36,-40,
 -44,-48,-54,-56



A-A



B-B

1 BUSHING INSIDE DIA DIMENSION. CHAMFER 0.005-0.015 X 45° BOTH ENDS AFTER MACHINING

ITEM NUMBERS REFER TO FIG. 6 AND 8

315T3522-25 THRU -28,-33 THRU -36,-39,-40,-43,-44,-47,-48,-53 THRU -56
 Hinge Fitting Bushing Replacement
 Figure 601

78-31-45

REPAIR 5-1

01.1

Page 602

Jul 01/03

HINGE FITTING - REPAIR 5-2

315T3522-29 thru -32, -37, -38, -41, -42,
-45, -46, -57 thru -60

NOTE: Refer to REPAIR - GENERAL for a list of applicable standard practices.
Refer to IPL Fig. 6 or 8 for item numbers.

1. Repair (Fig. 601)

A. Holes for bushings.

- (1) Machine fitting as required, within repair limits, to remove defects.
- (2) Make oversize bushings (Fig. 602 and 603), as required to adjust for the material removed.
- (3) Install the bushings per REPAIR 5-1.

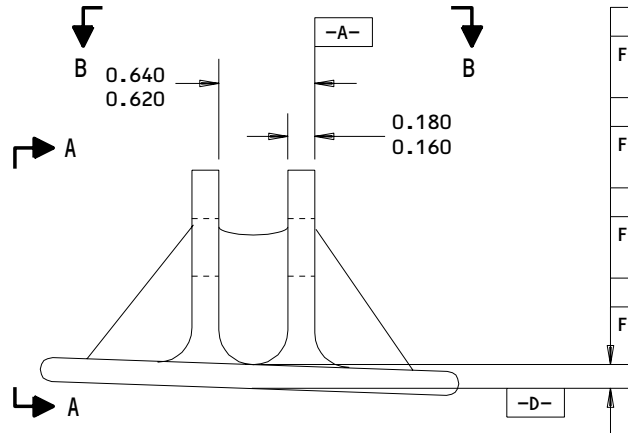
78-31-45

REPAIR 5-2

01.1

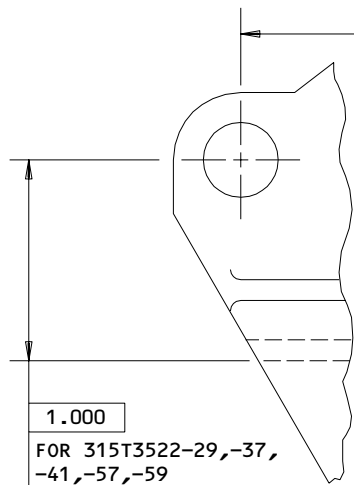
Page 601

Jul 01/03



- 0.180
FOR 315T3522-57
- 0.170
FOR 315T3522-59
- 0.160
FOR 315T3522-29,-37,-41
- 0.150
FOR 315T3522-31,-45

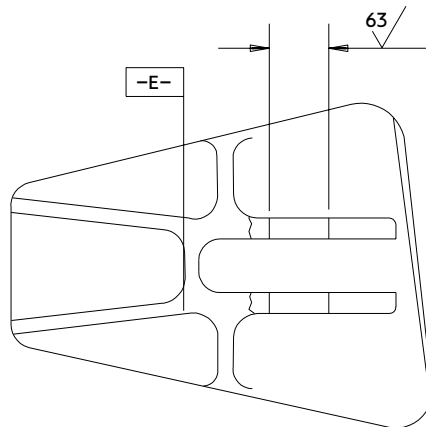
315T3522-29,-31,-37,-41,-45,-57,-59



- 0.770
FOR 315T3522-29,-37,-41
- 0.810
FOR 315T3522-57,-59
- 0.890
FOR 315T3522-31,-45

- 1.000
FOR 315T3522-29,-37,-41,-57,-59
- 1.220
FOR 315T3522-31,-45

A-A



- 0.5006 DESIGN DIA THRU
0.5000
- 0.5631 MAX REPAIR DIA
- ⊕ D E ∅ 0.010 (M)
⊕ A ∅ 0.001 (M)
- FOR 315T3522-29,-31,-37
- ⊕ D E ∅ 0.010 (M)
⊕ ∅ 0.001 (M)
- FOR 315T3522-41,-45,-57,-59

B-B

REFINISH

CHROMIC ACID ANODIZE AND APPLY ONE COAT OF
 BMS 10-11, TYPE 1 PRIMER (F-18.13)

MATERIAL: AL ALLOY
 ALL DIMENSIONS ARE IN INCHES

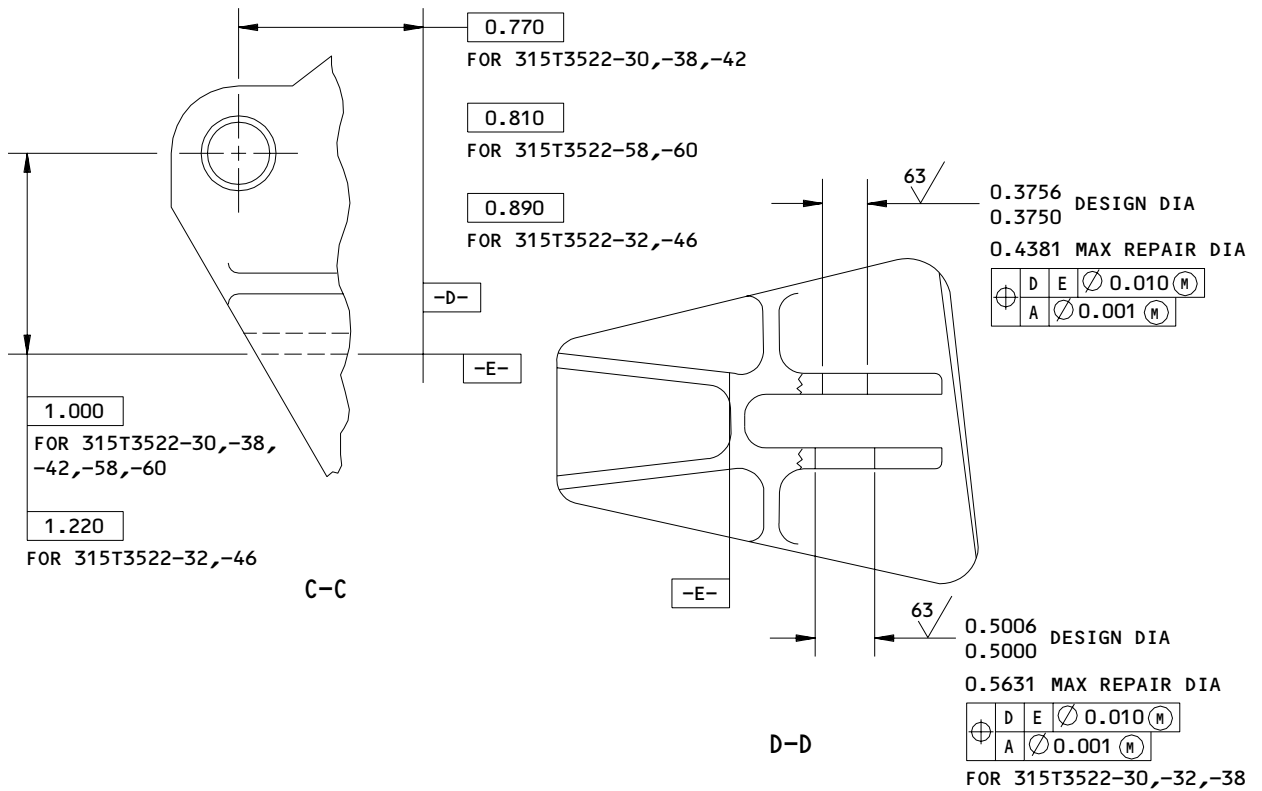
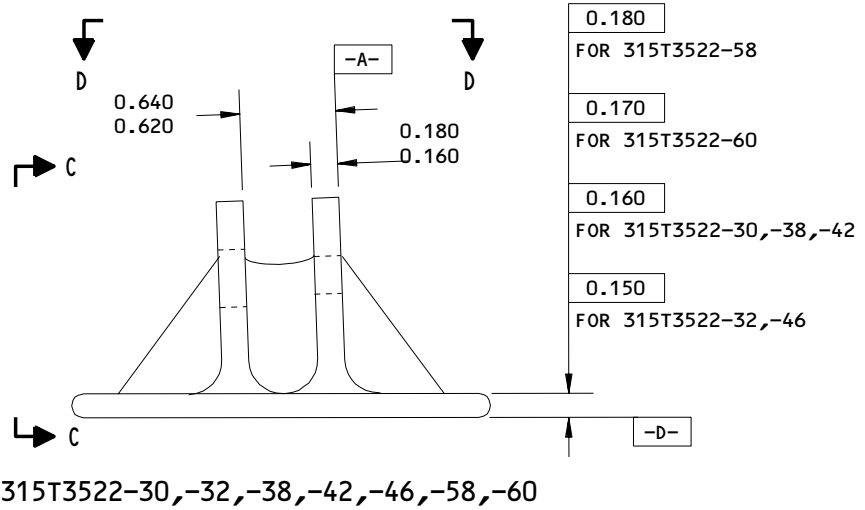
315T3522-29 THRU -32,-37,-38,-41,-42,-45,-46,-57 THRU -60
 Hinge Fitting Repair
 Figure 601 (Sheet 1)

78-31-45

REPAIR 5-2
 Page 602
 Jul 01/03

01.1

BOEING
COMPONENT
MAINTENANCE MANUAL



REFINISH

CHROMIC ACID ANODIZE AND APPLY ONE COAT OF
BMS 10-11, TYPE 1 PRIMER (F-18.13)

MATERIAL: AL ALLOY

ALL DIMENSIONS ARE IN INCHES

315T3522-29 THRU -32,-37,-38,-41,-42,-45,-46,-57 THRU -60
Hinge Fitting Repair
Figure 601 (Sheet 2)

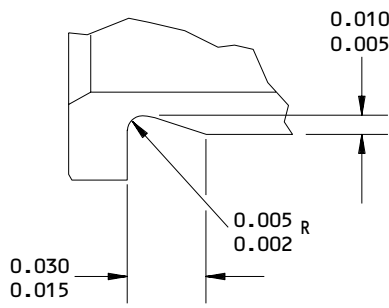
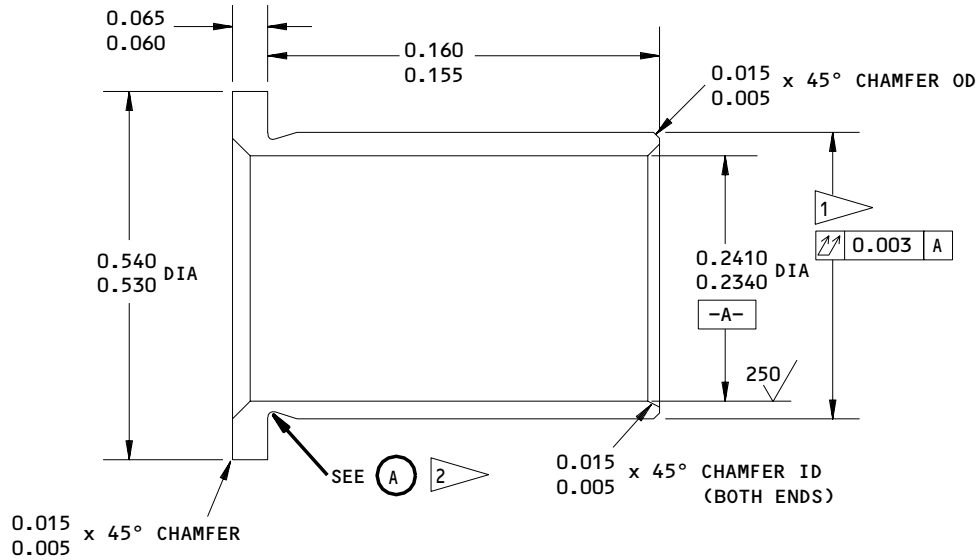
78-31-45

REPAIR 5-2

01.1

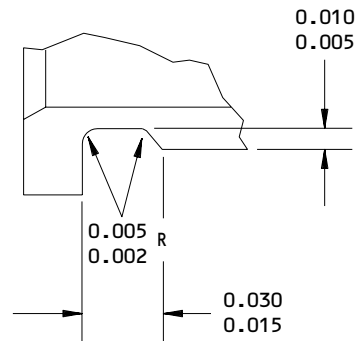
Page 603

Jul 01/03



TYPE I

OR



TYPE II

(A)

FINISH: CADMIUM PLATE (F-15.06)(OPT IN BORE)

MATERIAL: 15-5PH CRES, 180-200 KSI

1 FINISHED OUTSIDE DIA EQUALS REPAIR DIA OF FITTING HOLE PLUS 0.0003-0.0015 INTERFERENCE

63/ ALL MACHINED SURFACES EXCEPT AS NOTED

2 TYPE I OR TYPE II UNDERCUT IS OPTIONAL

ALL DIMENSIONS ARE IN INCHES

DIMENSIONS APPLY AFTER PLATING

REPLACES BUSHING (IPL FIG. 6; 120)(IPL FIG. 8; 890)
 BACB28AP04P016

Oversize Bushing Details
 Figure 602

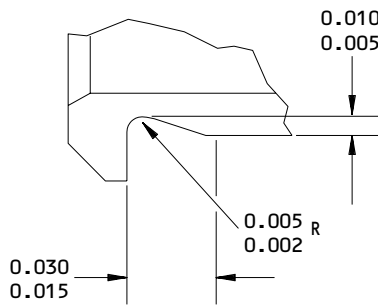
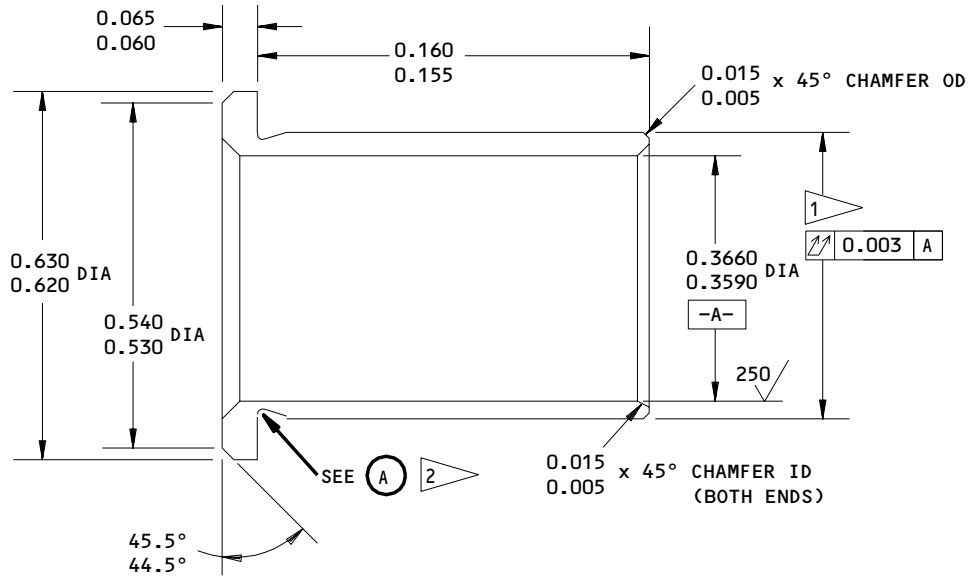
78-31-45

REPAIR 5-2

Page 604

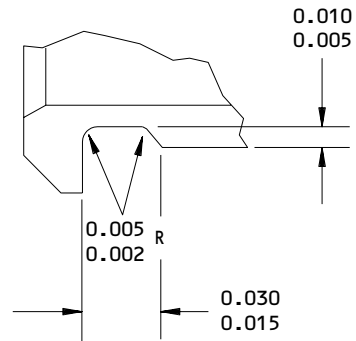
Jul 01/03

01.1



TYPE I

OR



TYPE II

(A)

FINISH: CADMIUM PLATE (F-15.06)(OPT IN BORE)

MATERIAL: AL-N1-BR PER AMS 4640

1 FINISHED OUTSIDE DIA EQUALS REPAIR DIA OF FITTING HOLE PLUS 0.0005-0.0017 INTERFERENCE

63 ALL MACHINED SURFACES EXCEPT AS NOTED

2 TYPE I OR TYPE II UNDERCUT IS OPTIONAL

ALL DIMENSIONS ARE IN INCHES

DIMENSIONS APPLY AFTER PLATING

REPLACES BUSHING (IPL FIG. 6; 60,115)
BACB28AM06B016A

Oversize Bushing Details
Figure 603 (Sheet 1)

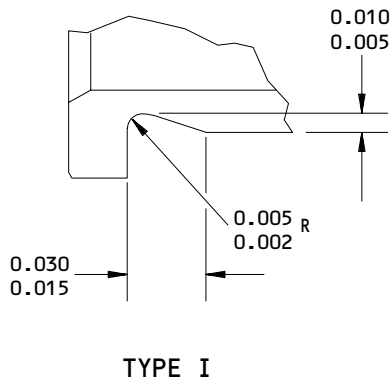
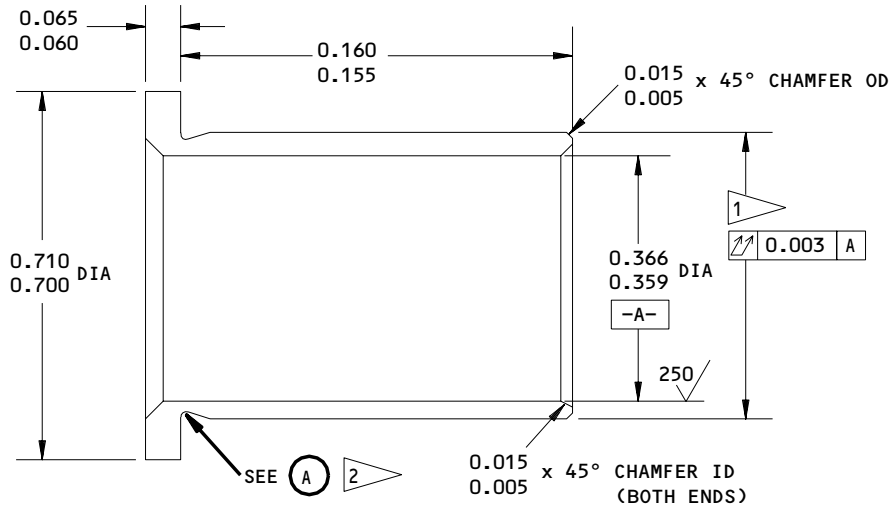
78-31-45

REPAIR 5-2

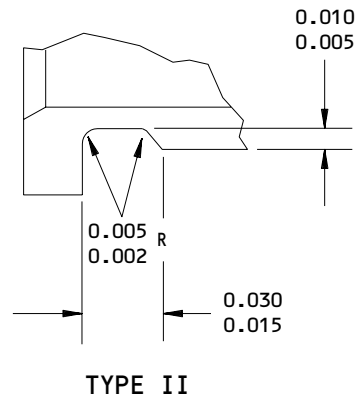
Page 605

Jul 01/03

01.1



OR



(A)

FINISH: CADMIUM PLATE (F-15.06)(OPT IN BORE)

MATERIAL: 15-5PH CRES, 180-200 KSI

1 FINISHED OUTSIDE DIA EQUALS REPAIR DIA OF FITTING HOLE PLUS 0.0003-0.0015 INTERFERENCE

63/ ALL MACHINED SURFACES EXCEPT AS NOTED

2 TYPE I OR TYPE II UNDERCUT IS OPTIONAL

ALL DIMENSIONS ARE IN INCHES

DIMENSIONS APPLY AFTER PLATING

REPLACES BUSHING (IPL FIG. 6; 60A,115A)(IPL FIG. 8; 885,940)
 BACB28AP06P016

Oversize Bushing Details
 Figure 603 (Sheet 2)

78-31-45

REPAIR 5-2

Page 606

Jul 01/03

01.1

ACTUATOR ATTACH FITTING ASSEMBLY – REPAIR 6-1

315T3561-6, -8

NOTE: Refer to REPAIR – GENERAL for a list of applicable standard practices.
Refer to IPL Fig. 1 or 7 for item numbers.

1. Bushing Replacement (Fig. 601)

- A. Remove the old bushings.
- B. If you find defects on the fitting, refer to REPAIR 6-2 for repair instructions.
- C. Install replacement bushings by the shrink-fit method (SOPM 20-50-03).
- D. Make a check of the dimensions and machine them as necessary.
- E. Fillet seal the bushing flanges with BMS 5-26 sealant (SOPM 20-50-19).

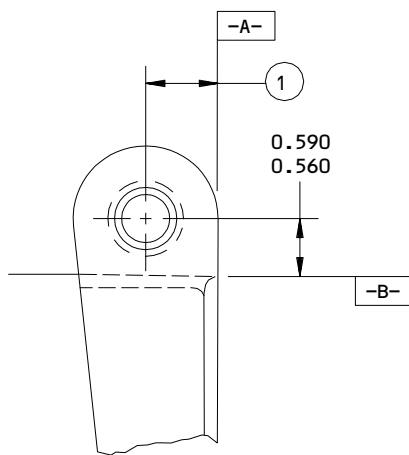
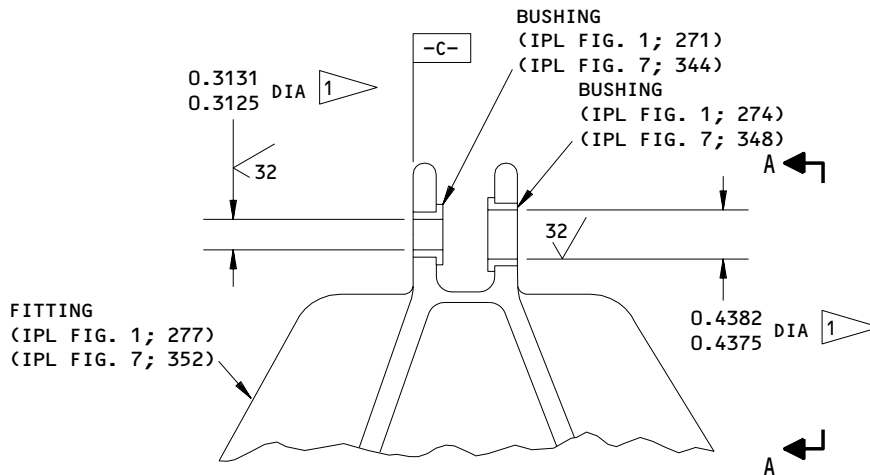
78-31-45

REPAIR 6-1

01.1

Page 601

Jul 01/03



A-A

PART NUMBER	①
315T3561-7	0.720 0.690
315T3561-9	0.700 0.670

① 0.015 X 45° CHAMFER
 0.005
 EACH END OF EACH BUSHING BORE AFTER
 MACHINING TO DIAMETER SHOWN

ALL DIMENSIONS ARE IN INCHES

315T3561-6,-8
 Actuator Attach Fitting Repair
 Figure 601

78-31-45

REPAIR 6-1
 Page 602
 Jul 01/03

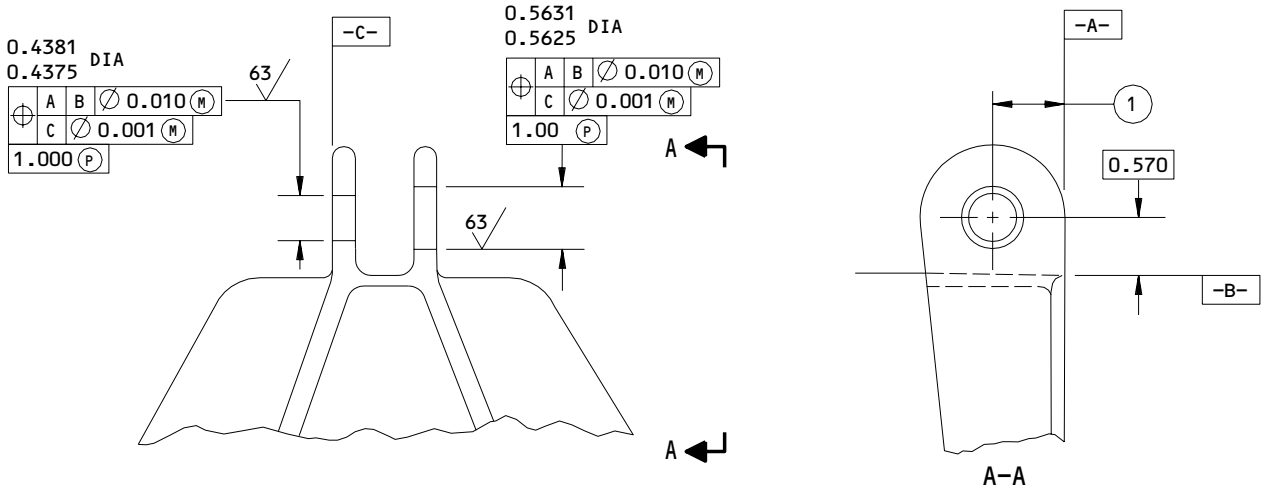
01.1

FITTING - REPAIR 6-2

315T3561-7, -9

1. Coating Repair

- A. Repair is only replacement of the original finish. Refer to Refinish instructions, Fig. 601. Refer to REPAIR - GENERAL for a list of applicable standard practices.



PART NUMBER	①
315T3561-7	0.720 0.690
315T3561-9	0.700 0.670

REFINISH

CHROMIC ACID ANODIZE AND APPLY BMS 10-11,
TYPE 1 PRIMER (F-18.13)

REPAIR

(SAME AS REFINISH)

125/ ALL MACHINED SURFACES UNLESS SHOWN
DIFFERENTLY

MATERIAL: AL ALLOY

ALL DIMENSIONS ARE IN INCHES

315T3561-7,-9
Fitting Repair
Figure 601

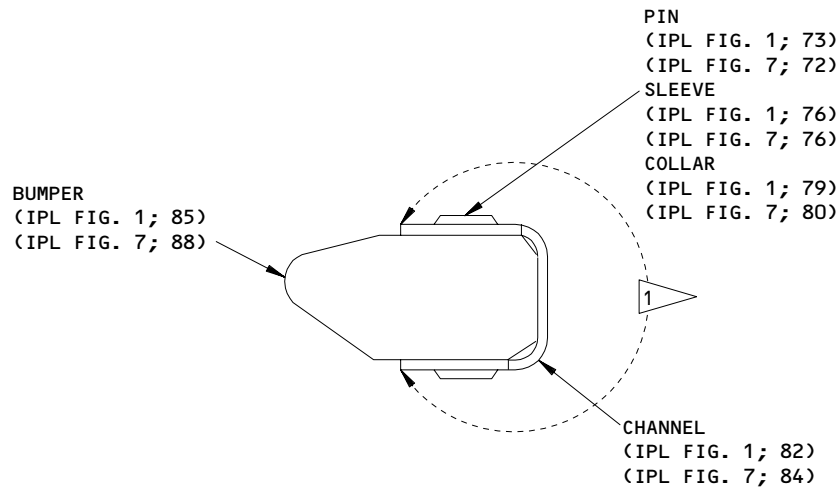
OUTER COWL PANEL ASSEMBLY – REPAIR 7-1

315T3563-4

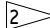
NOTE: Refer to REPAIR – GENERAL for a list of applicable standard practices.
Refer to IPL Fig. 1 or 7 for item numbers.

1. Bumper Replacement (Fig. 601)

- A. Remove the collar, pin, sleeve, and bumper from the channel.
- B. Bond a replacement bumper inside the channel with Type 68 adhesive (SOPM 20-50-12).
- C. Drill two 0.203-0.208 inch diameter holes thru the bumper with the existing hole locations in the channel as a guide.
- D. Install a replacement sleeve and pin thru the channel and bumper, and attach with the collar.
- E. Apply primer to the channel as shown.



REFINISH

AFTER BONDING, APPLY PRIMER TO CHANNEL AS SHOWN BY  OVERSPAY IS PERMITTED

 APPLY BMS 10-11, TYPE 1 PRIMER (F-20.03) TO THESE SURFACES

CHANNEL MATERIAL: AISI 301 CRES

315T3563-4
Outer Cowl Bumper Replacement
Figure 601

BLOCKER DOOR ASSEMBLY – REPAIR 8-1

315T3507-72, -73, -74
315T3508-159 thru -162, -165, -166
315T3509-111 thru -114, -117, -118
315T4507-1, -3, -5
315T4508-1, -2, -3, -4, -5, -6
315T4509-1, -2, -3, -4, -5, -6

NOTE: Refer to REPAIR – GENERAL for a list of applicable standard practices.

1. Fitting Replacement (IPL Fig. 2, 3, 4, 9, 10, 11)

- A. Remove hinge fitting assemblies (40 thru 55, Fig. 2; 35, 40, Fig. 3; 40 thru 55, Fig. 4; 10, 50, IPL Fig. 9; 5, 35, IPL Fig. 10; 10, 50, IPL Fig. 11) and attaching bolts, collars, and shims.
- B. Install replacement hinge fitting assemblies on blocker door panel assemblies with blocker door hinge replacement jig A78015 and attaching bolts, collars, and shims. You can use as many BACS40R10C10F shims at fastener locations between the fitting assembly and the blocker door as necessary for correct adjustment.

78-31-45

REPAIR 8-1

01.1

Page 601

Jul 01/05

HINGE FITTING ASSEMBLY - REPAIR 9-1

315T3580-11, -12, -15, -16
315T3584-11, -12, -15, -16, -19, -20
315T4518-1 thru -4

NOTE: Refer to REPAIR - GENERAL for a list of applicable standard practices.
Refer to IPL Fig. 2, 3, 4, 9, 10, or 11, as applicable, for item numbers.

1. Fitting Repair (IPL Fig. 2, 3, 4)(Fig. 601)

- A. Examine the lug faces for damage in the areas shown. Make sure the damage on fitting lug does not make the lug thinner than the repair limit shown.
- B. Blend out the damaged area smoothly with surrounding contours over an area 10 times longer than damaged groove depth. Keep the surface finish at 63 microinches or smoother.
- C. Penetrant examine the repaired area (SOPM 20-20-02).
- D. Refinish the hinge fitting as shown.

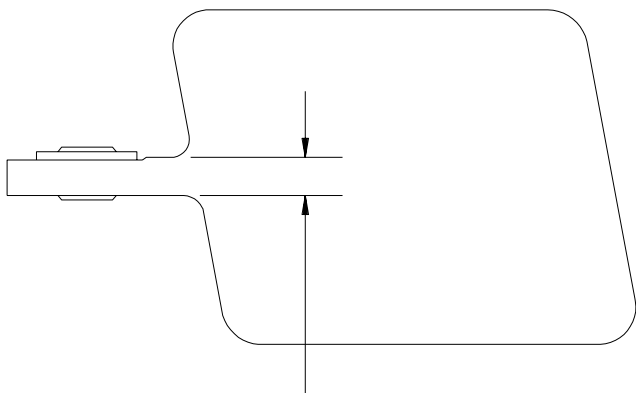
78-31-45

REPAIR 9-1

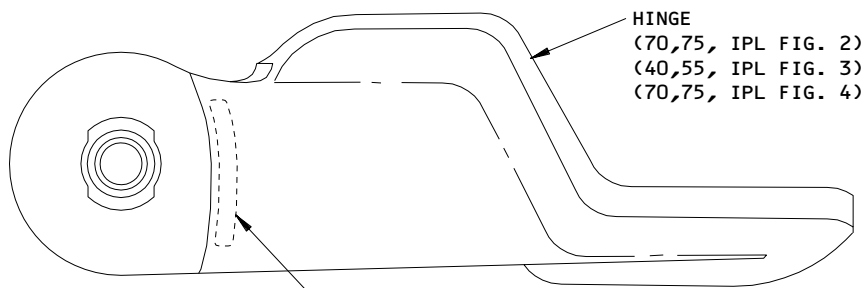
01.1

Page 601

Jul 01/03



MINIMUM LUG THICKNESS AT NOTCH
OR GROOVE MUST NOT BE LESS THAN
0.190 INCH



HINGE
(70,75, IPL FIG. 2)
(40,55, IPL FIG. 3)
(70,75, IPL FIG. 4)

TYPICAL DAMAGED AREA
(EITHER OR BOTH SIDES)

REFINISH

HINGE: CHROMIC ACID ANODIZE AND APPLY
BMS 10-11, TYPE 1, PRIMER (F-18.13)

MATERIAL: AL ALLOY

315T3580-11,-12,-15,-16
315T3584-11,-12,-15,-16,-19,-20

Hinge Fitting Assembly Repair
Figure 601

231449

78-31-45

REPAIR 9-1

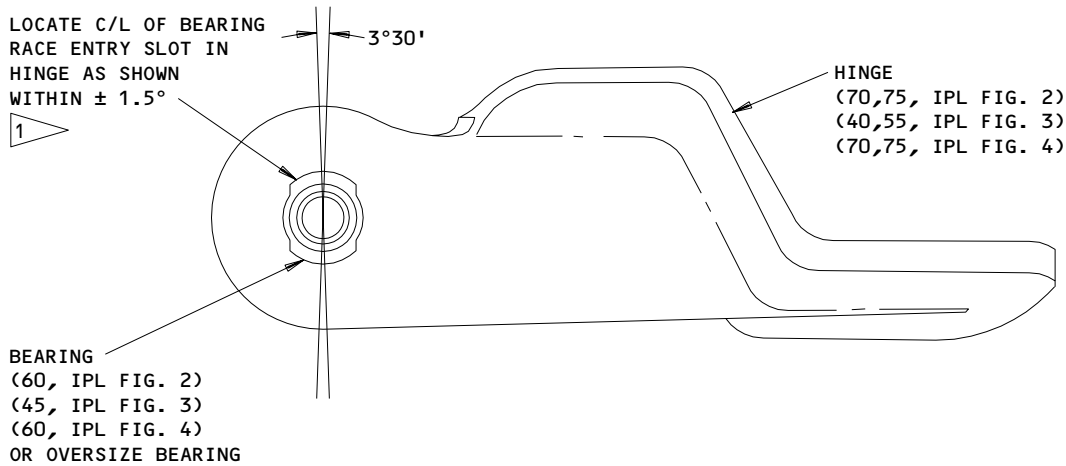
01.1

Page 602

Jul 01/03

2. Bearing Replacement (Fig. 602, 603)

- A. Press out the old bearings.
- B. Install a replacement bearing, with the outer race slot turned as shown.
- C. Roller swage the bearing outer race (SOPM 20-50-03). Give the bearing race a pushout load test, with a minimum load of 1045 pounds.
- D. Tie the bearing ball to the assembly with aluminum wire or equivalent. Include a note to remove the wire on installation.



1 LOOSENESS IS NOT PERMITTED AFTER SWAGING. PUSH OUT LOAD IS 1045 LBS.

MATERIAL: AL ALLOY

315T3580-11,-12,-15,-16
315T3584-11,-12,-15,-16,-19,-20
Hinge Fitting Bearing Replacement
Figure 602

231450

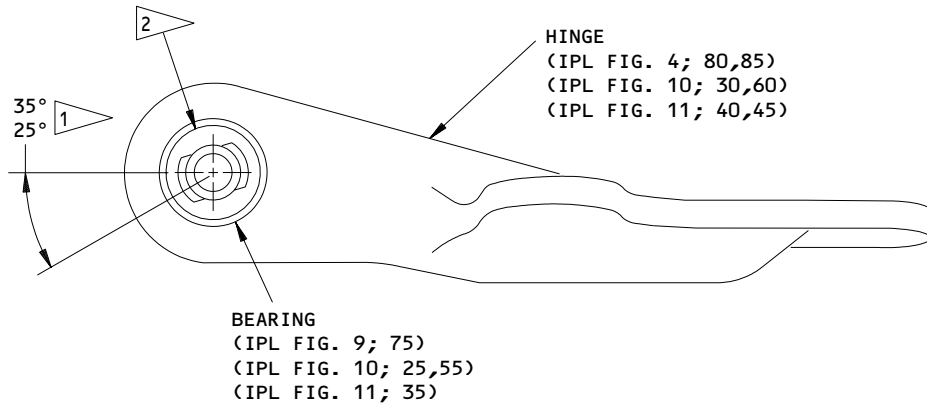
78-31-45

REPAIR 9-1

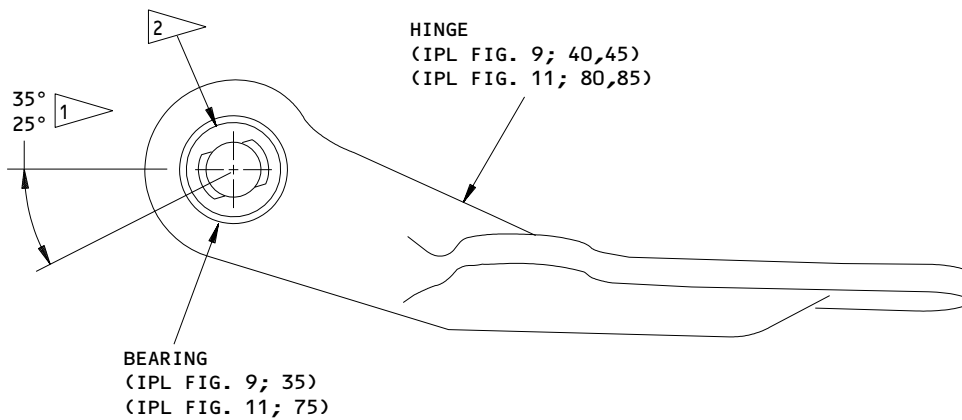
01.1

Page 603

Jul 01/03



315T4518-1 SHOWN
 315T4518-2 OPPOSITE



315T4518-3 SHOWN
 315T4518-4 OPPOSITE

REFINISH

HINGE MATERIAL: AL ALLOY

HINGE: BORIC ACID - SULFURIC ACID ANODIZE OR CHROMIC ACID ANODIZE (F-17.31). APPLY BMS 10-11, TYPE 1 PRIMER (F-20.02) BUT NOT IN HOLE FOR BEARING.

- 1 POSITION OF SLOT CENTERLINE OF BEARING OUTER RACE
- 2 ROLLER SWAGE THIS SIDE

315T4518-1 THRU -4
 Hinge Fitting Assembly Repair
 Figure 603

78-31-45

REPAIR 9-1

Page 604

Jul 01/03

01.1

HINGE FITTING - REPAIR 9-2

315T3580-13, -14, -17, -18
315T3584-13, -14, -17, -18, -21, -22

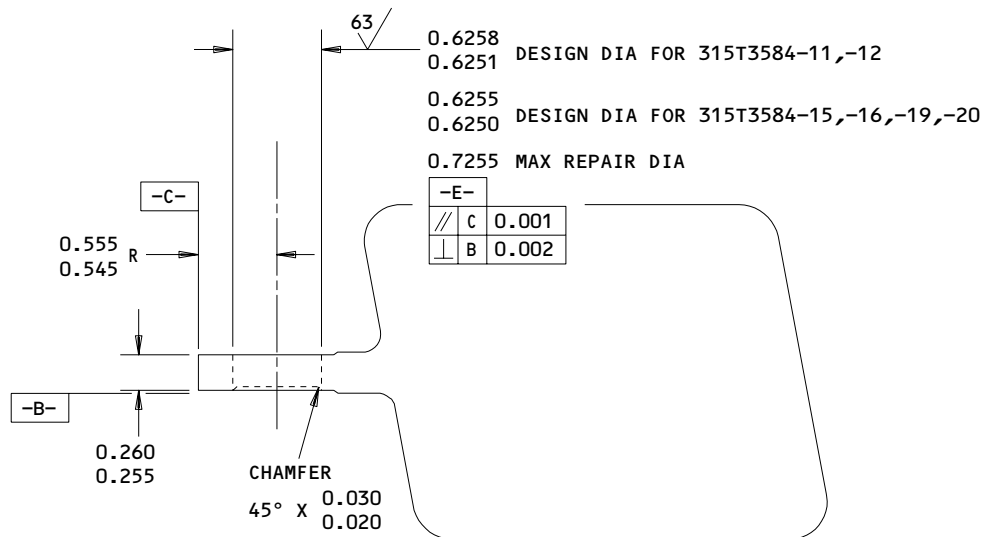
NOTE: Refer to REPAIR-GEN for list of applicable standard practices.

1. Repair

A. Installation of oversize bearing race.

- (1) Remove bearing flange and press out damaged bearing.
- (2) Machine fitting as required, within repair limits in Fig. 601, to remove defects.
- (3) Manufacture oversize bearing race per Fig. 602, as required to compensate for amount of material removed in step 1.A.(2).
- (4) Install oversize bearing race per 20-50-03 and Repair 9-1.

NOTE: Tie bearing ball to assembly with aluminum wire or equivalent. Remove wire on installation.



REFINISH

CHROMIC ACID ANODIZE AND APPLY ONE COAT
BMS 10-11, TYPE 1, PRIMER (F-18.13)

MATERIAL: AL ALLOY

315T3580-13,-14,-17,-18
315T3584-13,-14,-17,-18,-21,-22
Hinge Fitting Repair
Figure 601

78-31-45

REPAIR 9-2

Page 601

Jul 01/03

01.1

B. Installation of original bearing using repair-bushing type repair.

- (1) Remove bearing flange and press out damaged bearing.
- (2) Machine fitting as required, within repair limits in Fig. 603, to remove defects.
- (3) Manufacture repair bushing per Fig. 604, as required, to compensate for amount of material removed in step 1.B.(2).
- (4) Install repair bushing by swaging per 20-50-03 and Fig. 605.
- (5) Install new original sized bearing per 20-50-03 and Fig. 605.

NOTE: Tie bearing ball to assembly with aluminum wire or equivalent. Remove wire on installation.

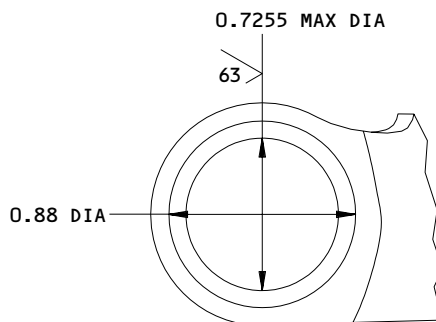
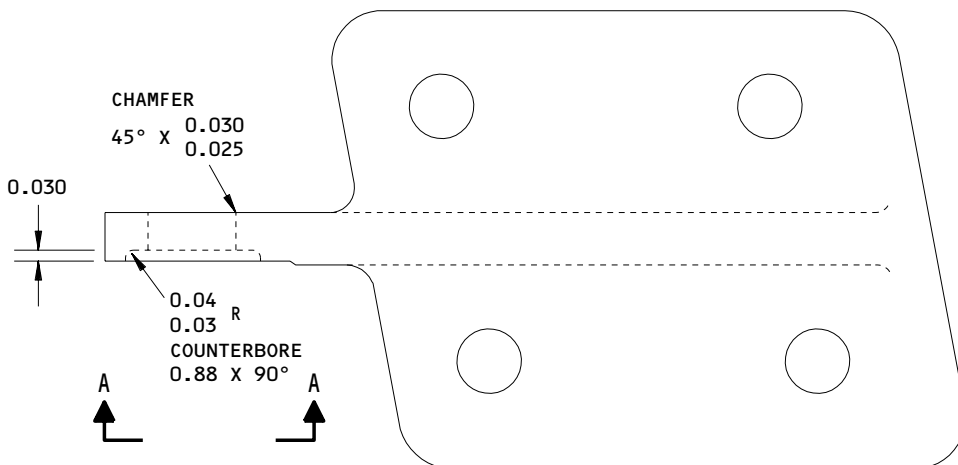
78-31-45

REPAIR 9-2

01.1

Page 603

Jul 01/03



A-A

FINISH

CHROMIC ACID ANODIZE AND APPLY ONE COAT OF BMS 10-11, TYPE I PRIMER (F-18.13)

1 MACHINE LUG TO ELIMINATE DEFECTS AND ACHIEVE 0.0004-0.0008 INCH INTERFERENCE FIT WHEN BUSHING IS INSTALLED.

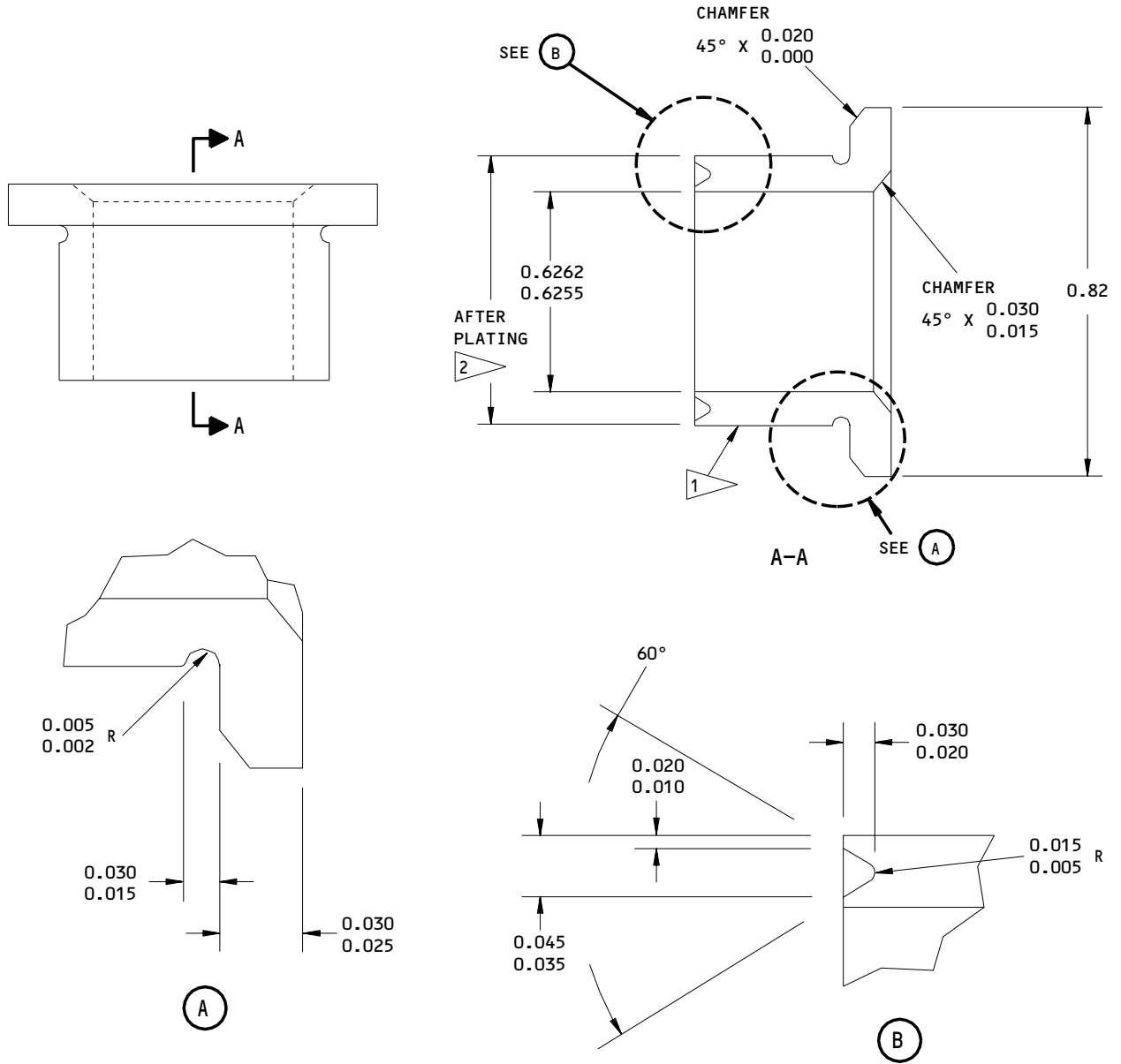
ALL DIMENSIONS ARE IN INCHES

315T3580-13,-14,-17,-18
 315T3584-13,-14,-17,-18,-21,-22
 Hinge Fitting Repair
 Figure 603

78-31-45

REPAIR 9-2
 Page 604
 Jul 01/03

01.1



- 1 CADMIUM PLATE THIS SURFACE AS SHOWN IN SOPM 20-42-06
- 2 DIAMETER AFTER FINISH IS 0.7257-0.7261 TO FACILITATE SWAGING PROCESS.

MATERIAL: AMS 5643 17-4 PH CRES HEAT TREATED TO 150-170 KSI

ALL DIMENSIONS ARE IN INCHES

Repair Bushing Details
Figure 604

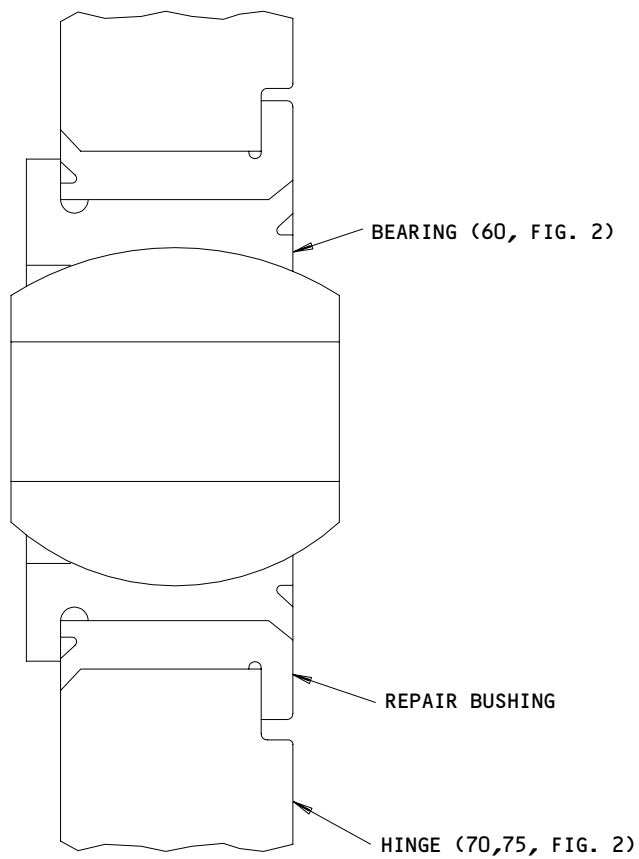
78-31-45

REPAIR 9-2

Page 605

Jul 01/03

01.1



Repair Bushing Installation
Figure 605

78-31-45

REPAIR 9-2

Page 606

Jul 01/03

01.1

LINK ATTACH FITTING ASSEMBLY – REPAIR 10-1

315T3581-13
315T4511-1, -5

NOTE: Refer to REPAIR – GENERAL for a list of applicable standard practices.

1. Bushing Replacement (Fig. 601, 602)

- A. Remove the old bushings.
- B. Install replacement bushings by the shrink-fit method (SOPM 20-50-03).
On 315T3581-13 units, use Dow Corning 93-006 sealant. On 315T4511-series units, use BMS 5-63 sealant.
- C. Machine as necessary to design dimensions and finish.
- D. Seal the bushing flanges of 315T4511-series units with BMS 5-63 sealant.

2. Rubstrip or Wear Pad Replacement (Fig. 601, 602)

- A. Remove the old rubstrip or wear pad.
- B. Bond the replacement rubstrip or wear pad in the position shown with BMS 5-44 adhesive (SOPM 20-50-12, Type 44).

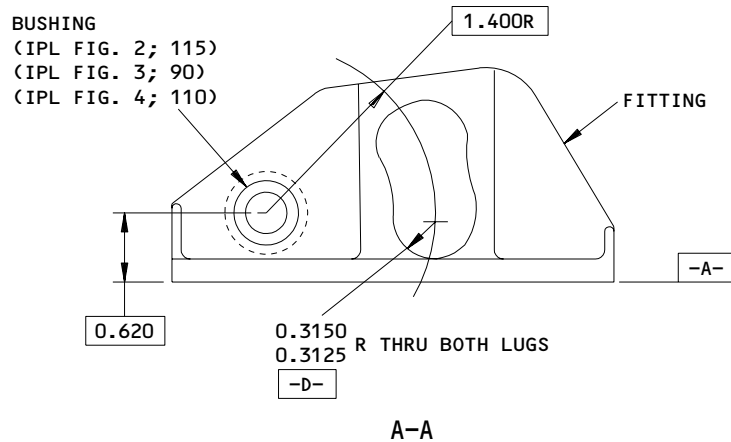
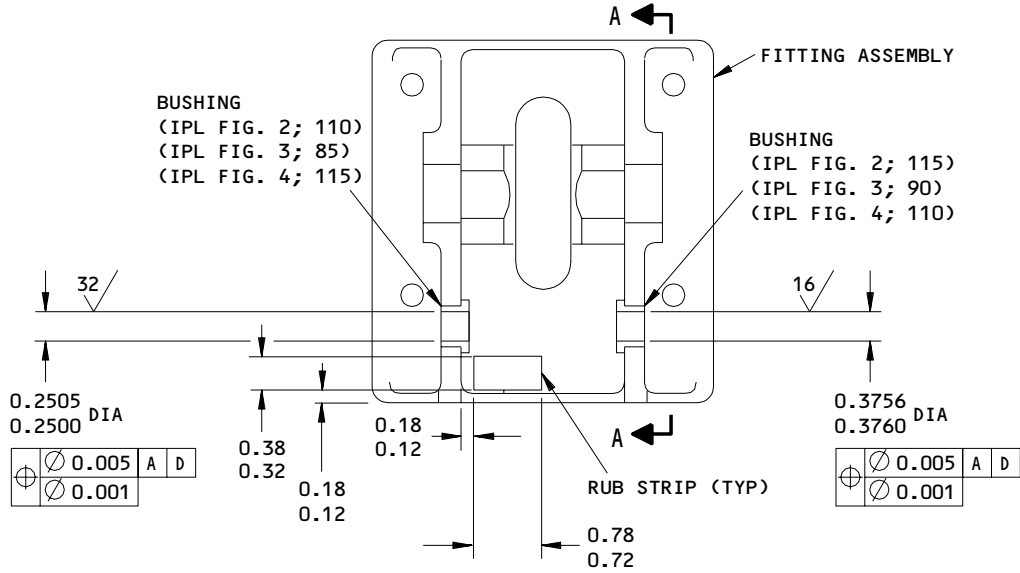
78-31-45

REPAIR 10-1

01.1

Page 601

Jul 01/05



REFINISH

ANODIZE (F-17.05) AND APPLY ONE COAT
 BMS 10-11, TYPE 1 PRIMER (F-20.02) ALL OVER

MATERIAL: AL ALLOY

ALL DIMENSIONS ARE IN INCHES

315T3581-13
 Bushing and Rub Strip Replacement
 Figure 601

78-31-45

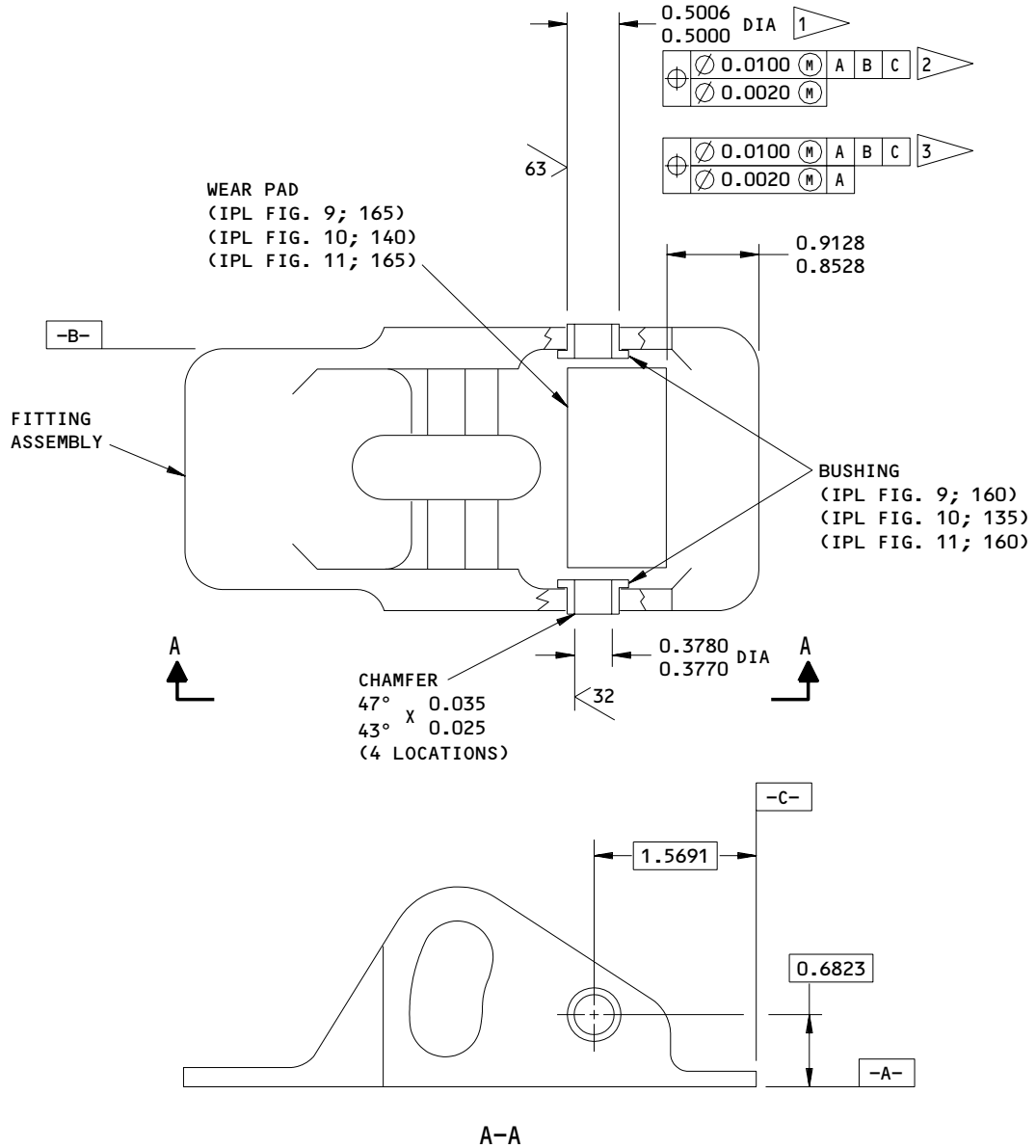
REPAIR 10-1

Page 602

Jul 01/03

01.1

BOEING
COMPONENT
MAINTENANCE MANUAL



REFINISH

BORIC ACID-SULFURIC ACID ANODIZE OR CHROMIC ACID ANODIZE (F-17.31). APPLY ONE LAYER OF BMS 10-11, TYPE 1 PRIMER (F-20.02). APPLY ONE LAYER BMS 10-11, TYPE 2 COLOR 702 WHITE ENAMEL (F-21.25), BUT NO PRIMER OR ENAMEL IN HOLES FOR BUSHINGS.

MATERIAL: AL ALLOY

ALL DIMENSIONS ARE IN INCHES

- 1 DO NOT SHOT PEEN
- 2 FOR 315T4511-1
- 3 FOR 315T4511-5

315T4511-1,-5
Bushing and Replacement Wear Pad
Figure 602

78-31-45

REPAIR 10-1

Page 603

Jul 01/05

01.1

PIVOT LINK ASSEMBLY – REPAIR 11-1

315T3592-4,-5
315T4514-1, -3

NOTE: Refer to REPAIR – GENERAL for a list of applicable standard practices.

1. Bushing Replacement

- A. Remove the old bushings.
- B. Install replacement bushings by the shrink-fit method (SOPM 20-50-03), using BMS 5-26 sealant.
- C. Machine the inside diameter of the bushings to design dimensions and finish.
- D. Chamfer the inside diameter of the bushings as shown.
- E. Fillet seal the bushing flanges with BMS 5-26 sealant.

2. Link Refinish

- A. Link 315T3592-2: Chromic acid anodize and apply BMS 10-11, type 1, primer (F-18.13). Material: Al alloy.
- B. Link 315T3592-6: Passivate (F-17.25, which replaces F-17.09). Material: 15-5PH CRES, 150-170 ksi.
- C. Link 315T4514-2, -4: Passivate (F-17.25). Material: 15-5PH CRES, 150-170 ksi.

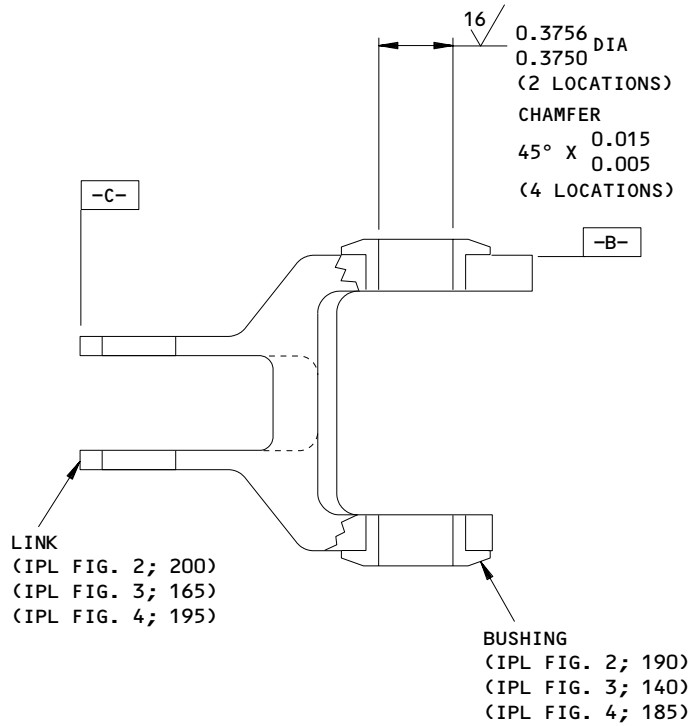
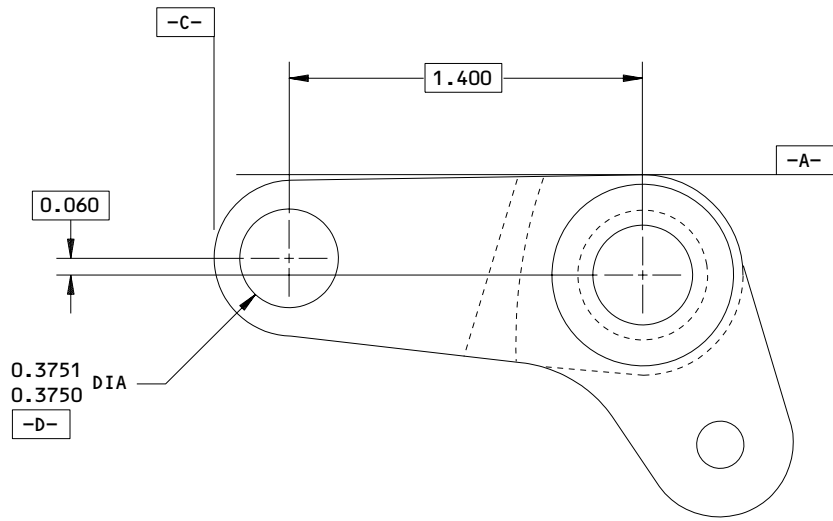
78-31-45

REPAIR 11-1

01.1

Page 601

Jul 01/05

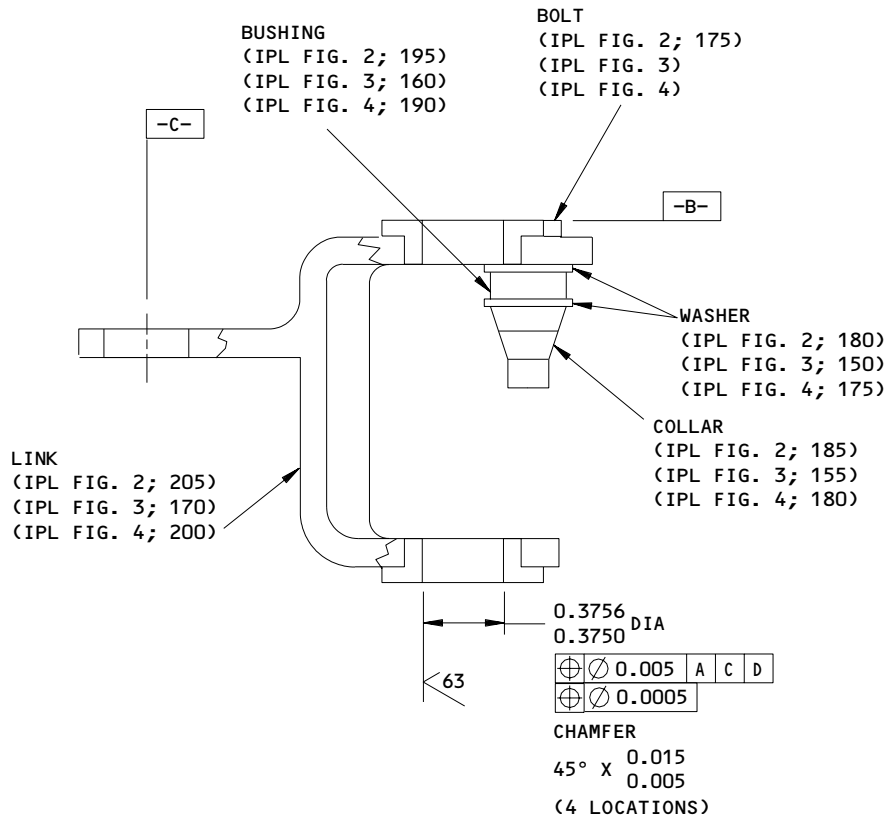
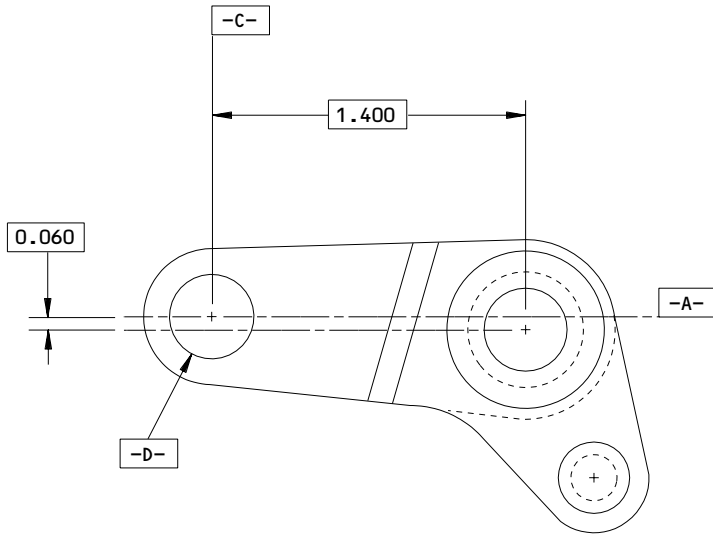


315T3592-4
 Pivot Link Assembly Bushing Replacement
 Figure 601

78-31-45

REPAIR 11-1
 Page 602
 Jul 01/03

01.1



315T3592-5
Pivot Link Assembly Bushing Replacement
Figure 602

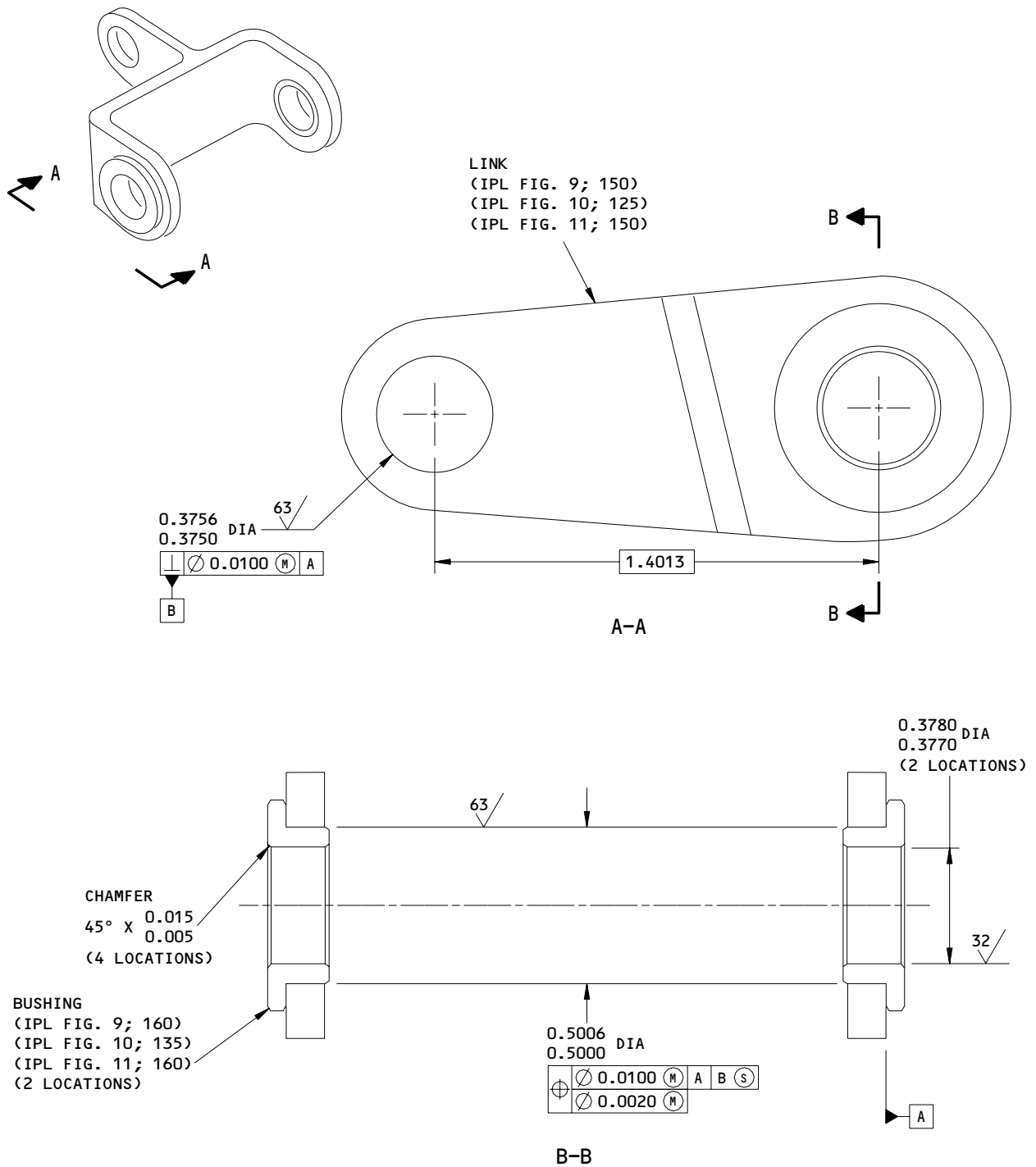
78-31-45

REPAIR 11-1

Page 603

Jul 01/03

01.1



315T4514-1,-3
 Pivot Link Assembly Bushing Replacement
 Figure 603

78-31-45

REPAIR 11-1

Page 604

Jul 01/05

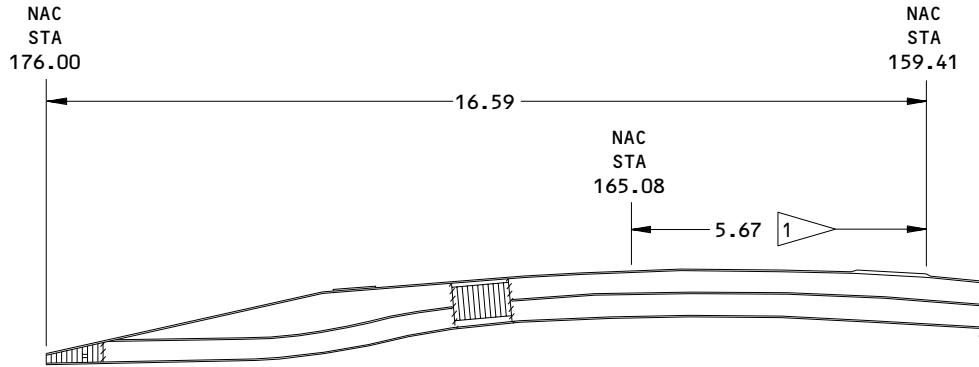
01.1

ACOUSTIC PANEL ASSEMBLY - REPAIR 12-1

315T4502-31, -32, -45, -46, -55, -56

1. Coating Repair

- A. Repair is only replacement of the original finish. See Refinish instructions, Fig. 601. Refer to REPAIR - GENERAL for a list of applicable standard practices.



REFINISH

APPLY ALUMINIZED EPOXY PRIMER (F-14.963, WHICH REPLACES SRF-14.963). OVERSPRAY ON EDGES IS PERMITTED. APPLY BMS 10-79, TYPE 3 PRIMER (F-19.47) TO ALL REMAINING EXPOSED SURFACES. APPLY TEFLON COATING AS SHOWN BY 1

1 APPLY BMS 10-86 TEFLON COATING (F-14.9624, WHICH REPLACES SRF-14.9624) TO THIS AREA

MATERIAL: SKINS AND DOUBLERS - AL ALLOY
ALL DIMENSIONS ARE IN INCHES

315T4502-31,-32,-45,-46,-55,-56
Panel Assembly Refinish
Figure 601

231211

MISCELLANEOUS PARTS REFINISH – REPAIR 13-1

1. Repair of these parts is only replacement of the original finish. Refer to REPAIR – GENERAL for a list of applicable standard practices.

IPL FIG. & ITEM	MATERIAL	FINISH
<u>Fig. 1</u>		
Retainer (31 thru 40)	Al alloy	Chemical treat and apply BMS 10-11, Type 1, primer all over (F-18.06).
Fitting (199,202)	Al alloy	Anodize (F-17.03 or F-17.04). Apply BMS 10-11, Type 1 primer (F-20.02) and BMS 10-11, Type 2 white enamel (F-21.25).
Fitting (217)	Al alloy	Chromic acid anodize (F-17.05), and apply BMS 10-11, Type 1 primer (F-20.02). Apply BMS 10-11, Type 2, enamel color BAC702 (F-21.03).
Inserts (226,235)	125-5PH CRES, 150-170 ksi	Passivate (F-17.25).
Panel Assy (308)	----	Apply BMS 10-79, Type 3 primer (F-19.47).
Panel Assy (315A, 315Q)	Glass epoxy	Apply BMS 10-21 coating (F-14.685, which replaces SRF-14.68) and BMS 10-79, Type 2 primer (F-19.46) to exterior surfaces, but no primer on conductive coating in countersinks.
Fittings (523J thru 523P, 537A thru 537C, 540A thru 540C)	Al alloy	Chromic acid anodize and apply BMS 10-11, Type 1 primer (F-18.11). Apply BMS 10-11, Type 2 white enamel (F-21.03).

Refinish Details
Figure 601 (Sheet 1)

78-31-45

REPAIR 13-1

01.1

Page 601

Jul 01/03

IPL FIG. & ITEM	MATERIAL	FINISH
<u>Fig. 1</u> (Cont)		
Fitting (542A,545A)	Al alloy	No finish (F-25.01).
Link (569)	15-5 PH CRES 180-200 Ksi	Passivate (F-17.09).
Bushing (557)	15-5 PH CRES 180-200 KSI	Chrome plate (F-15.03) 0.001-0.002 inch thick on OD only.
Bushinig (557A, 557B)	15-5PH CRES, 180-200 ksi	Passivate (F-17.25).
<u>Fig. 2</u>		
Panel Assy (120, 125)	Al alloy	Top skin - reactivate adhesive surface except use Scotch Brite to remove gloss. Apply aluminized epoxy primer (SRF-14.963). Bottom skin and edges - apply BMS 10-11, Type 1, primer (F-20.02).
Bushing (165)	Nylatron	No finish (F-25.01).
Washer (135)	15-5 PH CRES 180-200 Ksi	Cadmium plate (F-15.06).
Spring (155)	17-7 PH CRES	Apply solid film lubricant BMS 3-8 (F-19.10).

 Refinish Details
 Figure 601 (Sheet 2)

78-31-45

REPAIR 13-1

01.1

Page 602

Jul 01/03

IPL FIG. & ITEM	MATERIAL	FINISH
<u>Fig. 3</u>		
Panel Assy (95)	Al alloy	Top skin - Reactivate adhesive surface except use Scotch Brite to remove gloss. Apply aluminized epoxy primer (SRF-14.963). Bottom skin and edges - Apply BMS 10-11, Type 1, primer (F-20.02).
Bushing (130)	Nylatron	No finish (F-25.01).
Washer (105)	15-5 PH CRES 180-200 Ksi	Cadmium plate (F-15.06).
Spring (133)	17-7 PH CRES	Apply solid film lubricant BMS 3-8 (F-19.10).
<u>Fig. 4</u>		
Panel Assy (120, 125)	Al alloy	Top skin - Reactivate adhesive surface except use Scotch Brite to remove gloss. Apply aluminized epoxy primer (SRF-14.963). Bottom skin and edges - Aply BMS 10-11, Type 1, primer (F-20.02).
Bushing (163) Washer (135)	15-5 PH CRES 180-200 Ksi	Cadmium plate (F-15.06).
Spring (155)	17-7 PH CRES	Apply solid film lubricant BMS 3-8 (F-19.10).

Refinish Details
Figure 601 (Sheet 3)

IPL FIG. & ITEM	MATERIAL	FINISH
<u>Fig. 5</u>		
Fairing Assy (31, 34, 128, 154, 156)	Al alloy	Reactivate adhesive primed surface using Scotch Brite to remove gloss. Apply aluminized epoxy primer (SRF-14.963).
Fairing (52, 55, 67, 73, 85, 97, 103, 106)	Al alloy	Chemical treat (F-17.07) and apply BMS 10-11, Type 1, primer (F-18.06).
Fairing (29, 30, 127, 152, 153)	Nylon	Prepare surface and apply finish (F-19.52) all over. On interior surface and edges only, apply conductive coating BMS 10-21 (SRF-14.68) then apply aluminized epoxy primer (SRF-14.963).
Clip (169, 170, 172, 175, 184, 190, 193, 205, 322, 324)	Al alloy	Chemical treat (F-17.07) and apply BMS 10-11, Type 1, primer (F-18.06)
Clip (214, 217, 510, 522, 534, 606)	Al alloy	Chromic acid anodize and apply BMS 10-11, Type 1, primer (F-18.13).
Stiffener (238, 241, 244, 247)	Al alloy	Chromic acid anodize and apply BMS 10-11, Type 1, primer (F-18.13).
Doubler (259)	Al alloy	Chemical treat (F-17.07) and apply BMS 10-11, Type 1, primer (F-18.06).

Refinish Details
Figure 601 (Sheet 4)

78-31-45

REPAIR 13-1

01.1

Page 604

Jul 01/03

IPL FIG. & ITEM	MATERIAL	FINISH
<u>Fig. 5</u> (Cont)		
Intercostal (314, 317)	Al alloy	Chemical treat (F-17.07) and apply BMS 10-11, Type 1 primer (F-18.06).
Pan (348) 317)	Al alloy	Chemical treat (F-17.07) and apply BMS 10-11, Type 1 primer (F-18.06).
Bond Assy (384,387)	Aluminum honeycomb	Apply BMS 10-11, Type 1 primer (F-20.02).
Retainer (414)	Al alloy	Chemical treat and apply BMS 10-11, Type 1 primer (F-18.06).
Ring (417,420)	Al alloy	Chromic acid anodize and apply BMS 10-11, Type 1 primer (F-18.13).
Bracket (546,594), Plate (570)		Chemical treat (F-17.07) and apply BMS 10-11, Type 1 primer (F-18.06).
<u>Fig. 6</u>		
Fitting (65,70,125, 130)	Al alloy	Chromic acid anodize and apply BMS 10-11, Type 1 primer (F-18.13).
<u>Fig. 7</u>		
Retainer (36 thru 48)	Al alloy	Chemically treat and apply BMS 10-11, Type 1 primer (F-18.06) all over.
Fitting (264)	Al alloy	Anodize (F-17.05) and apply BMS 10-11, Type 1 primer (F-20.02). Apply BMS 10-11, Type 2 white enamel (F-21.03).

Refinish Details
Figure 601 (Sheet 5)

IPL FIG. & ITEM	MATERIAL	FINISH
<u>Fig. 7</u> (Cont)		
Fitting (240,244, 248,252)	Al alloy	Anodize (F-17.03 or F-17.04). Apply BMS 10-11, Type 1 primer (F-20.02) and BMS 10-11, Type 2 white enamel (F-21.25).
Inserts (276,296), barrel (380,284)	15-5PH CRES, 150-170 ksi	Passivate (F-17.25).
Panel assembly (388)	Glass epoxy	Apply BMS 10-21 coating (F-14.685, which replaces SRF-14.68) and BMS 10-79, Type 2 primer (F-19.46) to exterior surfaces, but no primer on conductive coating in countersink.
Fittings (668,672, 692,696)	Al alloy	Chromic acid anodize and apply BMS 10-11, Type 1 primer (F-18.19). Apply BMS 10-11, Type 2 white enamel (F-21.03).
Bushing (716), Link (732)	15-5PH CRES 180-200 ksi	Passivate (F-17.25, which replaces F-17.25) all over.
<u>Fig. 8</u>		
Fairing (15,20,45A, 85,115A,125,130)	Al alloy	Chemical treat and apply BMS 10-11, Type 1 primer (F-18.06).

Refinish Details
Figure 601 (Sheet 6)

78-31-45

REPAIR 13-1

01.1

Page 606

Jul 01/03

IPL FIG. & ITEM	MATERIAL	FINISH
<u>Fig. 8</u> (Cont)		
Fairing (170,175,180,220,260,265)	Nylon	Apply BMS 10-103, Type 3 primer (F-19.52) all over. On interior surface and edges only, apply BMS 10-21 coating (F-14.685), then apply aluminized epoxy primer (F-14.963).
Clip (280,285,300,310,315,325,330,350,605,610)	Al alloy	Chemical treat and apply BMS 10-11, Type 1 primer (F-18.06).
Clip (365,370)	Al alloy	Chromic acid anodize and apply BMS 10-11, Type 1 primer (F-18.13).
Stiffener (420,425,430,435)	Al alloy	Chromic acid anodize and apply BMS 10-11, Type 1 primer (F-18.13).
Doubler (555)	Al alloy	Chemical treat and apply BMS 10-11, Type 1 primer (F-18.06).
Intercostal (590,595)	Al alloy	Chemical treat and apply BMS 10-11, Type 1 primer (F-18.06).
Pan (720)	Al alloy	Chemical treat and apply BMS 10-11, Type 1 primer (F-18.06).
Bond Assy (770,775)	Aluminum honeycomb	Apply BMS 10-11, Type 1 primer (F-20.02).
Ring (830,835)	Al alloy	Chromic acid anodize and apply BMS 10-11, Type 1 primer (F-18.13).
Fitting (895,900,945,950)	Al alloy	Chromic acid anodize and apply BMS 10-11, Type 1 primer (F-18.13).

Refinish Details
Figure 601 (Sheet 7)

78-31-45

REPAIR 13-1

01.1

Page 607

Jul 01/03

IPL FIG. & ITEM	MATERIAL	FINISH
<u>Fig. 9</u> Spring (130)	BMS 7-320 Titanium	Apply BMS 3-8 solid film lubricant (F-19.10).
<u>Fig. 10</u> Spring (105)	BMS 7-320 Titanium	Apply BMS 3-8 solid film lubricant (F-19.10).
<u>Fig. 11</u> Spring (130)	BMS 7-320 Titanium	Apply BMS 3-8 solid film lubricant (F-19.10).

Refinish Details
 Figure 601 (Sheet 8)

78-31-45

REPAIR 13-1

01.1

Page 608

Jul 01/03

ASSEMBLY

1. Materials

NOTE: Equivalent substitutes can be used.

A. Sealants (SOPM 20-60-04)

(1) BMS 5-26, Class B (SOPM 20-60-04)

(2) BMS 5-63

(3) BMS 5-95 (Replaces BMS 5-79)(SOPM 20-60-04)

B. Coating -- Alodine 1200S

C. Finish -- Tereco 155 (SOPM 20-60-04)

D. Adhesive -- Type 60 (SOPM 20-50-12)

E. Grease -- BMS 3-33 or BMS 3-24 (SOPM 20-60-03)

F. Primer -- BMS 10-11, Type 1 (SOPM 20-60-02)

G. Primer -- Aluminized, epoxy (SRF-14.963)

H. Potting Compound -- BMS 5-28, Type 6 (SOPM 20-60-04)

2. Assembly

A. Hinge Bulkhead Assembly (IPL Fig. 6)

(1) Locate fitting assemblies (20, 25, 75, 80) on bulkhead assemblies (10, 15,) and check that gap between faying surfaces does not exceed 0.01 inch, use maximum of one BACS40R20C3F shim at each attaching point as necessary. Install shims using BMS 10-11, type 1, primer. Secure fitting assemblies in place using bolts (30, 45, 85, 100), washers (35, 90), collar (50, 105) and nuts (40, 95).

B. Diaphragm Assy (IPL Fig. 5)

NOTE: Install all fasteners penetrating honeycomb panels with wet BMS 5-63 sealant under heads. Fillet seal collars and nutplates with BMS 5-63 sealant.

(1) Install bracket assemblies (483, 549) using bolts (474, 477) and collars (480).

78-31-45

ASSEMBLY
Page 701
Jul 01/03

01.1

- (2) Attach clips (169, 170, 205) to fairing assemblies (31, 34) or fairings (29, 30) with rivets (10A, 13A). Install shims (28) if required using BMS 10-11, type 1, primer. Maximum gap prior to fastener installation 0.01 inch.
- (3) Attach doubler (37, 40) and fairing (29, 30, 43, 46) using bolts (16, 19, 164, 196, 305, 308), washers (22, 199), nuts (25, 202) and collars (166). Install shim (28) if required, using BMS 10-11, type 1, primer. Maximum gap prior to fastener installation 0.01 inch. Completely fill fastener holes in honeycomb with BMS 5-63 sealant and install fastener thru wet sealant.
- (4) Attach clips (169, 172, 175, 214, 217) and fairings (52, 67) to stiffeners (238, 247) and fitting (417) with rivets (49A, 58A, 171), bolts (61, 208) or rivets (65), and collars (64, 181, 211).
- (5) Attach clips (205) to fairing (127, 131) using rivets (115A).
- (6) Attach fairing assembly (127, 128) with doubler (130) using bolts (118, 121, 196), washers (124, 199), and nuts (126, 202).
- (7) Attach fairing (85) to bulkhead assembly (624, 627) with rivets (76) and to clips (214, 217) with bolts (79) and collars (82) or rivets (83). Attach clips (214, 217) to intercostals (314, 317) with bolts (208) and collars (211).
- (8) Attach clips (190, 193, 205) to fairing (160, 162) with rivets (134, 136A, 187A). Attach fairing (160, 162) assembly and doubler (158) to ring (417, 420) using bolts (142, 145A, 196), washers (148, 199), and nuts (151, 202).
- (9) Attach stiffeners (238, 241, 244, 247) to intercostals (314, 317) using bolts (229, 232, 250) and collars (235, 256). Use doublers (259) under stiffeners (238, 241).
- (10) Attach preload assemblies (262, 264, 265, 267, 268, 270, 271, 273) to intercostals (314, 317) using bolts (305) and collars (311).
- (11) Attach fairings (97, 103, 106) to bulkhead assembly (624, 627) with rivets (88A, 100A) and to clips (214, 217) using bolts (91, 208) and collars (94, 211) or rivets (95). Attach clips (169, 172, 175, 214, 217) to stiffeners (241, 244) and fitting (408A) using rivets (171) or bolts (178, 208) and collars (181, 211).
- (12) Attach stiffeners (238, 241, 244, 247) to bulkhead assembly (624, 627) with bolts (223, 226), collars (235), and rivets (220).

78-31-45ASSEMBLY
Page 702
Jul 01/03

01.1

- (13) Attach doublers (396, 399, 402) with bolts (390) and collars (393).
- (14) Attach nutplates (426) to pan (348) with rivets (423A). Install shims (429), if necessary, with BMS 10-11, type 1, primer. Maximum gap before fastener installation is 0.01 inch. Install nutplates with wet BMS 10-11, type 1 primer but do not let primer get on threads.
- (15) Attach nutplates (354, 357) to pan (348) with rivets (351). Install nutplates with wet BMS 10-11, type 1 primer but do not let primer get on threads.
- (16) Attach clips (322, 324) and brackets (537A, 585) to pan (348) with rivets (320, 321).
- (17) Attach pan (348) to ring (417, 420) with bolts (109A, 336A, 411), washers (339), and nuts (342). Attach pan (348) to bulkhead assembly (624, 627) with bolts (708, 711), collars (714), and rivets (360).
- (18) Put fitting assemblies (65 thru 80, IPL Fig. 6) on bulkhead assemblies (624, 627) and make sure the gap between faying surfaces is not more than 0.01 inch. Use a maximum of one BACS40R10C10F shim at each attaching point as necessary. Install shims with BMS 10-11, type 1 primer. Attach the fitting assemblies and brackets (435, 438) with bolts (30A, IPL Fig. 6), washers (432), and nuts (40, IPL Fig. 6).
- (19) Attach bond assembly (384, 387) to intercostals (314, 317), ring (417, 420), bulkhead assembly (624, 627), and pan (348) with bolts (109A, 295A, 305, 308, 327, 333A, 336A, 360, 363A, 366A, 375), washers (298, 339, 369), retainer (414), fairing (112), nuts (302, 342, 372), and collars (311, 330, 378, 393). Install shim (345) if necessary with BMS 10-11, type 1 primer. Maximum gap before fastener installation is 0.01 inch. Immediately before you install bond assembly (384, 387), pressure seal the faying surface between panel and pan (348), bulkhead assembly (624, 627), ring (417) and fitting (408A) with BMS 5-63 sealant.

78-31-45

ASSEMBLY
Page 703
Jul 01/03

01.1

C. Blocker Door Assemblies (IPL Fig. 2, 3, 4)

(1) Upper Blocker Door Assemblies (1, 5, IPL Fig. 2)

- (a) Install pivot link assembly (170), spring (155), and bushings (160, 165) on link attach fitting (85), with bolt (130), washers (135), and nuts (150). Tighten bolt (130) to 85-100 pound-inches. To keep the 0.005-0.035 inch end play, use washers (140) and/or shims (145) as necessary.

NOTE: In the following steps, seal collars with BMS 5-26 sealant and install bolts with BMS 5-26 sealant under boltheads. If shims must be used, fay seal each side of the shims with BMS 5-26 sealant. If the gap between fittings and the panel is different by more than 0.020 inch from one side to the other, use two BACS40R10C10F shims (one per fastener) instead of one two-fastener shim. Maximum total permitted shim thickness at each location is 0.068 inch.

- (b) Install link attach fitting (85) on panel assembly (120, 125) with bolts (90) and nuts (95).

(2) Common Blocker Door Assemblies (1, IPL Fig. 3)

- (a) Install pivot link assembly (135), spring (133), and bushings (125, 130) on link attach fitting (60), with bolt (110), washers (105), and nut (100). Tighten bolt (110) to 85-100 pound-inches. To keep the 0.005-0.035 inch end play, use washers (115) and/or shims (120) as necessary.

NOTE: In the following steps, seal collars with BMS 5-26 sealant and install bolts with BMS 5-26 sealant under boltheads. If shims must be used, fay seal each side of the shims with BMS 5-26 sealant. If the gap between fittings and the panel is different by more than 0.020 inch from one side to the other, use two BACS40R10C10F shims (one per fastener) instead of one two-fastener shim. Maximum total permitted shim thickness at each location is 0.068 inch.

- (b) Install link attach fitting (60) on panel assembly (95) with bolts (65) and nuts (70).

78-31-45

ASSEMBLY
Page 704
Jul 01/03

01.1

(3) Lower Blocker Door Assemblies (1, 5, IPL Fig. 4)

- (a) Install pivot link assembly (165), spring (155), and bushings (160, 163) on link attach fitting (85) with bolt (130), washers (135), and nut (150). Tighten bolt (130) to 85-100 pound-inches. To keep the 0.005-0.035 inch end play, use washers (140) and/or shims (145) as required.

NOTE: In the following steps, seal collars with BMS 5-26 sealant and install bolts with BMS 5-26 sealant under boltheads. If shims must be used, fay seal each side of the shims with BMS 5-26 sealant. If the gap between fittings and panel is different by more than 0.020 inch from one end to the other, use two BACS40R10C10F shims (one per fastener) instead of one two-fastener shim. Maximum total permitted shim thickness at each location is 0.068 inch.

- (b) Install link attach fitting (85) on panel assemblies (120, 125) with bolts (90), and nuts (95).

D. Thrust Reverser Sleeve Assembly (IPL Fig. 1)

- (1) Attach panel assemblies (422A, 425A) with items (360, 362 thru 419). Install inserts (428) and pot around edges with BMS 5-28 compound. Immediately before you install the fasteners, coat faying surface between panel assemblies (422A, 425A) and slider attach fitting (524A, 527A) with BMS 5-95 sealant and pressure seal the faying surface (Fig. 701).
- (2) Attach bumper sleeve (67) with items (55, 58, 61, 64).
- (3) Attach nutplates (320, 322, 323) to panel assembly (326A, 329A) with rivets (317).
- (4) Attach nutplates (302) to doubler (305) with rivets (299).
- (5) Attach panel assembly (308) and doubler assembly (296) with items (256, 284, 293, 310, 315P).
- (6) Attach actuator attach assembly (268) to panel assembly (326A, 329A) with items (240 thru 259, 309, 315G) and (265A, 262) as follows:
- (a) Install nutplates (265A) with wet BMS 10-11, type 1 primer but do not let primer get on threads.

78-31-45

ASSEMBLY
01.1 Page 705
Jul 01/03

- (b) Shims (247, 259) thickness must not be more than 0.063 inch and must limit maximum gap pulldown before fastener installation to 0.010 inch.
 - (c) Seal both sides of shims (247, 259) before installation with BMS 5-95 sealant.
 - (d) Install fasteners (240, 241, 244) with wet BMS 5-95 sealant.
 - (e) Cover collars (244) with BMS 5-95 sealant.
- (7) Install inserts (223, 226, 232, 235).
- (8) Install fittings (205A, 208A) on panel assemblies (172A, 175A) with items (178, 181, 182, 184, 187, 190, 193, 196, 198).
- (9) Install fittings (217) on panel assemblies (172A, 175A) with items (211, 214).
- (10) Install fittings (199, 202) on panel assemblies (172A, 175A) with items (178, 180, 182, 184, 187, 190, 193, 196).
- (11) Attach outer cowl panel assembly (172A, 175A) to acoustic panel assembly (422A, 425A) with items (162, 163, 166, 169) as follows:
- (a) Use one shim (169) with 0.01 in maximum gap before fastener installation. Apply BMS 10-11, type 1 primer to shims.
 - (b) Pressure seal faying surface of shim (169), acoustic panel (422A, 425A) and outer cowl (172A, 175A) with BMS 5-95 sealant.
 - (c) Install fasteners (163, 166) with wet BMS 5-95 sealant.
 - (d) Shave the pin end, the sleeve head, and the lock collar, and within 4 hours apply Alodine 1200S. Within 4 more hours apply aluminized epoxy primer (F-14.963, which replaces SRF-14.963).
 - (e) Apply BMS 5-95 sealant for aerodynamic seal on pin head and edge of outer cowl.
- (12) Install bolts (154, 157) into cowl assembly with grease. Tighten to 125-150 lb-in.

78-31-45

ASSEMBLY
Page 706
Jul 01/03

01.1

- (13) Attach acoustic panel assembly (614) to diaphragm assembly (617, 620) with (605, 606, 608, 611). Tighten bolts (605) (40 lb-in min.) to align panel assembly as indicated in Fig. 702. Apply BMS 5-63 sealant under boltheads for aerodynamic seal in areas indicated.
- (14) Install retainers (31 thru 40), seal (22) and shims (43 thru 52) using bolts (25A), and washers (28) and bond in place per Fig. 701.

CAUTION: FAILURE TO REPLACE BOLT (572) AND NUT (578) MAY RESULT IN A LOOSE BLOCKER DOOR INSTALLATION.

- (15) Attach blocker door assemblies (581 thru 593) at hinge points using bolt (BACB30LM4SU18), washers (575), and nut (NAS1805-4) as shown in Fig. 704. Use additional washers (574) under nut (NAS1805-4) as required to ensure that nut (NAS1805-4) does not bottom out on bolt (BACB30LM4SU18). Tighten nut (NAS1805-4) to 80-100 lb-in.
- (16) Attach bumper assembly (603) with bolt (596). Tighten bolt to align blocker doors as shown in Fig. 703. Install pads (608, 611) as required under bumper to obtain tolerances. If necessary, replace nutplate (602) using rivets (599). Install nutplate with BMS 10-11, type 1, primer except on threads.
- (17) Adjust thickness of shims (25, 30, 35, IPL Fig. 2), (20, 25, 30, IPL Fig. 3), (25, 30, 35, IPL Fig. 4) as required to adjust flushness requirement of blocker doors (Fig. 703). Maximum allowable shim 0.06 inch.
- (18) Attach drag link assemblies (560) to blocker door assemblies (581 thru 593) using bolts (548), washers (551, 553), bushings (557), and nuts (554). Tighten nuts (554) to 220-360 pound-inches.

E. Blocker Door Assemblies (IPL Fig. 9, 10, 11)

- (1) Upper Blocker Door Assemblies (1A, 5, IPL Fig. 9)
 - (a) Install pivot link assembly (140), spacer (135), springs (130), and bushing (125), on drag link fitting assembly (90) with bolt (105), washers (110, 115), and nut (120). Tighten bolt (105) to 65 pound-inches maximum. Use more washers (115) for good clamp-up.

NOTE: In the following step, seal the fasteners with BMS 5-26, Type 2 sealant (SOPM 20-50-19, method 3). Also, apply this sealant to the mating surfaces of drag link fitting assembly (90) and bonded door assembly (175, 180) (SOPM 20-50-19).

78-31-45

ASSEMBLY
Page 707
Jul 01/05

01.1

(b) Install drag link fitting assembly (90) on the bonded door assembly (175, 180) with bolts (95) and nuts (100). Tighten the bolts to 25-30 pound-inches.

(2) Common Blocker Door Assemblies (1A, IPL Fig. 10)

(a) Install pivot link assembly (115), spacer (110), springs (105), and bushing (100), on drag link fitting assembly (65) with bolt (80), washers (85, 90), and nut (95). Tighten bolt (80) to 65 pound-inches maximum. Use more washers (90) for good clamp-up.

NOTE: In the following step, seal the fasteners with BMS 5-26, Type 2 sealant (SOPM 20-50-19, method 3). Also, apply this sealant to the mating surfaces of drag link fitting assembly (65) and bonded door assembly (150) (SOPM 20-50-19).

(b) Install drag link fitting assembly (65) on the bonded door assembly (150) with bolts (70) and nuts (75). Tighten the bolts to 25-30 pound-inches.

(3) Lower Blocker Door Assemblies (1A, 5, IPL Fig. 11)

(a) Install pivot link assembly (140), spacer (135), springs (130), and bushing (125), on drag link fitting assembly (90) with bolt (105), washers (110, 115), and nut (120). Tighten bolt (105) to 65 pound-inches maximum. Use more washers (115) for good clamp-up.

NOTE: In the following step, seal the fasteners with BMS 5-26, Type 2 sealant (SOPM 20-50-19, method 3). Also, apply this sealant to the mating surfaces of drag link fitting assembly (90) and bonded door assembly (175, 180) (SOPM 20-50-19).

(b) Install drag link fitting assembly (90) on the bonded door assembly (175, 180) with bolts (95) and nuts (100). Tighten the bolts to 25-30 pound-inches.

F. Diaphragm Assembly (IPL Fig. 8)

NOTE: Install all fasteners through honeycomb panels with wet BMS 5-63 sealant under heads. Fillet seal collars and nutplates with BMS 5-63 sealant.

(1) Install fittings (820, 825) with bolts (805, 810) and collars (815).

(2) Attach clips (280, 285, 350) to ring (830) with bolts (270, 335), washers (340), nuts (345), and collars (275).

78-31-45

ASSEMBLY
Page 708
Jul 01/03

01.1

- (3) Attach clips (325, 330) to fairing (260, 265) with rivets (225, 230).
- (4) Put fairing (260) on ring (830, 835) and clips (350) and make sure the gap between the faying surfaces of fairing and clips is not more than 0.01 inch. Use a maximum of one BACS40R007C014F shim (185) at each attaching location. Install shims with BMS 10-11, Type 1 primer. Attach fairing (260) and shims (185) to clips (350) with rivets (235), and to ring (830, 835) with bolts (240, 250), washers (245), and nuts (250).
- (5) Put fairing (260) on ring (830, 835) and clips (280, 350) and make sure the gap between the faying surfaces of fairing and clips is not more than 0.01 inch. Use a maximum of one BACS40R007C014F shim (185) at each attaching location. Install shims with BMS 10-11, Type 1 primer. Attach fairing (220) and shims (185) to clips (350) with rivets (195), and to ring (830, 835) with bolts (20, 205), washers (210), and nuts (215).
- (6) Put fairing (170, 175) on ring (830, 835) and clips (350) and make sure the gap between the faying surfaces of fairing and clips is not more than 0.01 inch. Use a maximum of one BACS40R007C014F shim (185), BACS40R009C020F shim (190), or at each attaching location. Install shims with BMS 10-11, Type 1 primer. Attach fairing (170, 175) and shims (185, 190) to clips (280, 350) with rivets (140, 145), and to ring (830, 835) with bolts (150, 155), washers (160), and nuts (165).
- (7) Attach stiffeners (420, 425, 430, 435) to intercostals (590, 595) with bolts (355, 405, 410, 480, 545, 560, 575, 580, 585), washers (565), nuts (570), and collars (360, 415, 490, 550, 585). Use doublers (555) under stiffeners (420, 435).
- (8) Attach clips (300, 310) to fittings (820, 825) with bolts (290), collars (295) and rivets (305).
- (9) Attach clips (365, 370) to intercostals (590, 595) with bolts (355) and collars (360).
- (10) Attach preload assemblies (440 thru 475) to intercostals (590, 595) with bolts (480, 485) and collars (490).
- (11) Put fairing (85) on the bulkhead assembly and make sure the gap between the faying surfaces is not more than 0.01 inch. Use a maximum of one BACS40R009B014F shim (90) at each attaching location. Install shims with BMS 10-11, Type 1 primer. Attach fairing (85) to the bulkhead assembly with rivets (65), bolts (70) and collars (75) or rivets (80).

78-31-45

ASSEMBLY
01.1 Page 709
Jul 01/03

- (12) Attach fairings (15, 20, 45A, 115A, 125, 130) to the bulkhead assembly and to clips (300, 310) with rivets (10, 25, 95, 120), and to clips (365, 370) with bolts (30, 100) and collars (35, 105) or rivets (40, 110).
- (13) Attach doublers (790, 795, 800) with bolts (780) and collars (785).
- (14) Attach clips (605, 610) and bracket (655, 660) to pan (720) with rivets (600, 650).
- (15) Attach nutplates (695, 700) to pan (720) with rivets (690).
- (16) Attach pan (720) to ring (830, 835) with bolts (132, 705), washers (710) and nuts (715). Install shims (725), if required, with BMS 10-11, Type 1 primer. Make sure the maximum gap before fastener installation is 0.01 inch. Attach pan (720) to the bulkhead assembly with bolts (640), collars (45) or rivets (635A), bolts (615, 620), collars (625), and rivets (630).
- (17) Put fitting assemblies (850, 855, 905, 910) on the bulkhead assemblies and the gap between faying surfaces is not more than 0.01 inch. Make sure maximum shim gap is 0.080 inch at each attach point. Install shim using BMS 10-11, Type 1 primer. Attach fitting assemblies with bolts (860, 865, 915, 920), washers (870, 925), collars (875, 930) and nuts.
- (18) Attach bond assembly (770, 775) to intercostals (590, 595), ring (830, 835), the bulkhead assembly, and pan (720) with bolts (135, 560, 575, 580, 670, 685, 705, 730, 735, 750), washers (565, 710, 740), fairing (180), nuts (570, 715, 745), and collars (585, 680, 760, 785). Bond assembly (770, 775), pressure seal the faying surface between panel and pan (720), bulkhead assembly, ring (830, 835) and fitting (820, 825) with BMS 5-63 sealant.

G. Thrust Reverser Sleeve Assembly (IPL Fig. 7)

- (1) Attach panel assemblies (516, 520) with items (416 thru 508, 520). Install inserts (524) and pot around edges with BMS 5-28 compound. Immediately before you install fasteners, apply BMS 5-95 sealant to the faying surface between panel assemblies (516, 520) and slider attach fitting (652, 656, 676, 680) and pressure the seal faying surface (Fig. 701A).
- (2) Attach bumper sleeve (68) with items (52, 56, 60, 64).
- (3) Attach nutplates (396, 400) to panel assembly (404, 408) with rivets (392).
- (4) Attach nutplates (380) to doubler (384) with rivets (376).

78-31-45

ASSEMBLY
Page 710
Jul 01/03

01.1

- (5) Attach panel assembly (388) and doubler assembly (372) with items (320, 356, 364A, 368).
- (6) Attach actuator attach assembly (340) to panel assembly (404, 408) with items (300B thru 324, 332) and (328, 336) as follows:
 - (a) Install nutplates (336) with wet BMS 10-11, Type 1 primer but do not let primer get on threads.
 - (b) Shims (312, 324) must not be thicker than 0.063 inch and must keep the maximum gap pulldown before fastener installation to 0.010 inch.
 - (c) Seal both sides of shims (312, 324) before installation with BMS 5-95 sealant.
 - (d) Install fasteners (300B, 304A, 308A) with wet BMS 5-95 sealant.
 - (e) Cover collars (308A) with BMS 5-95 sealant.
- (7) Install inserts (272, 292, 296) and (276 or 280, 284, 286).
- (8) Install fittings (248, 252) on panel assemblies (196, 200) with items (204, 208, 216, 220, 224, 228, 232, 236).
- (9) Install fitting s(264) on panel assemblies (196, 200) with items (256, 260).
- (10) Install fittings (240, 244) on panel assemblies (196, 200) with items (212, 216, 220, 224, 228, 232, 236).
- (11) Attach outer cowl panel assembly (196, 200) to acoustic panel assembly (516, 520) with items (180, 184, 188, 192) as follows:
 - (a) Use one shim (192) to get a 0.01 inch maximum gap before fastener installation. Paint the shim with BMS 10-11, Type 1 primer.
 - (b) Pressure seal the faying surface of shim (192), acoustic panel (516, 520) and outer cowl (196, 200) with BMS 5-95 sealant.
 - (c) Install fasteners (184, 188) with wet BMS 5-95 sealant.
 - (d) Shave the pin end, the sleeve head, and the lock collar, and within 4 hours, apply Alodine 1200S. Within 4 additional hours, apply aluminized epoxy primer (F-14.963).
 - (e) Apply BMS 5-95 sealant for aerodynamic seal on pin head and edge of outer cowl.

78-31-45

01.1 ASSEMBLY
Page 711
Jul 01/03

- (12) Insert bolts (172, 176) into cowl assembly with grease. Tighten to 125-150 pound-inches.
- (13) Attach acoustic panel assembly (804) to diaphragm assembly (808, 812) with (788, 792, 796, 800). Tighten bolts (788) (18-25 pound-inches) to align panel assembly as indicated in Fig. 702. Install fasteners with wet BMS 5-63 sealant under heads and fillet seal collars (SOPM 20-50-19). After drilling, countersink all holes. Apply BMS 10-103, Type 3 primer (F-19.52) to all countersinks and apply BMS 10-21 coating (F-14.685).
- (14) Install retainers (36 thru 48) and seal (24) with bolts (28A) and washers (32) and bond in place per Fig. 701.

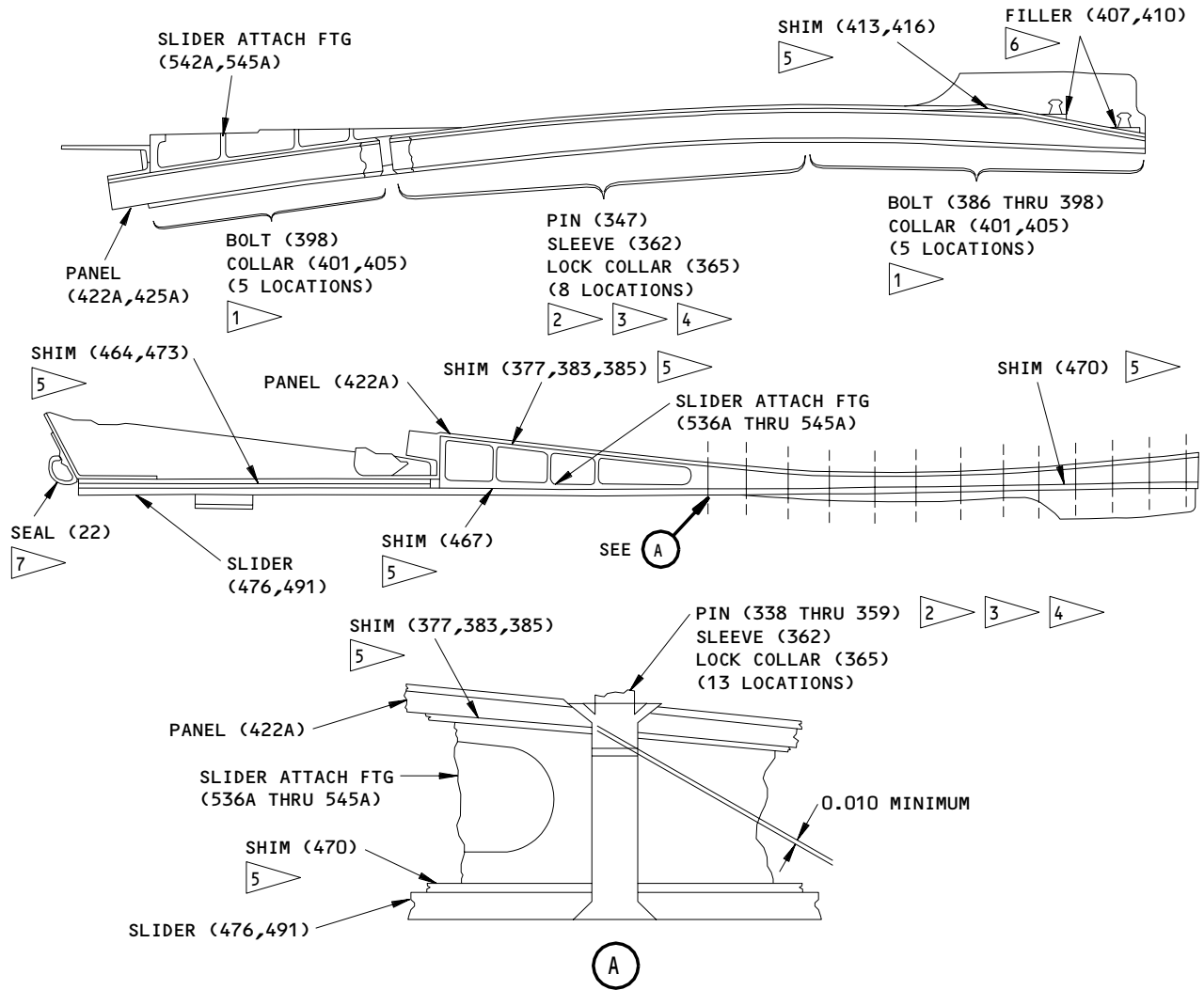
CAUTION: FAILURE TO REPLACE BOLT (736) AND NUT (744) MAY RESULT IN A LOOSE BLOCKER DOOR INSTALLATION.

- (15) Attach blocker door assemblies (752 thru 768) at hinge points with bolt (BACB30LM4SU18), washers (740), and nut (NAS1805-4) as shown in Fig. 704. Make sure that nut (NAS1805-4) does not bottom out on bolt (BACB30LM4SU18). Tighten nut (NAS 1805-4) to 80-100 pound-inches.
- (16) Attach bumper assembly (784) with bolt (772). Tighten bolt to align blocker doors as shown in Fig. 703. Install pads (785, 786) as required under bumper to obtain tolerances. If necessary, replace nutplate (780) and rivets (776). Install nutplate with BMS 10-11, Type 1 primer but do not let primer get on threads.
- (17) Adjust thickness of shims (25, 65, IPL Fig. 9; 15, 45, IPL Fig. 10; 25, 65, IPL Fig. 11) as required to adjust flushness requirement of blocker doors (Fig. 703). Maximum permitted shim thickness is 0.050 inch.
- (18) Attach drag link assemblies (720) to blocker door assemblies (752 thru 768) with bolts (700), washers (704, 708), bushings (716), and nuts (712). Tighten nuts (712) to 300-400 pound-inches.

78-31-45

ASSEMBLY
Page 712
Jul 01/04

01.1

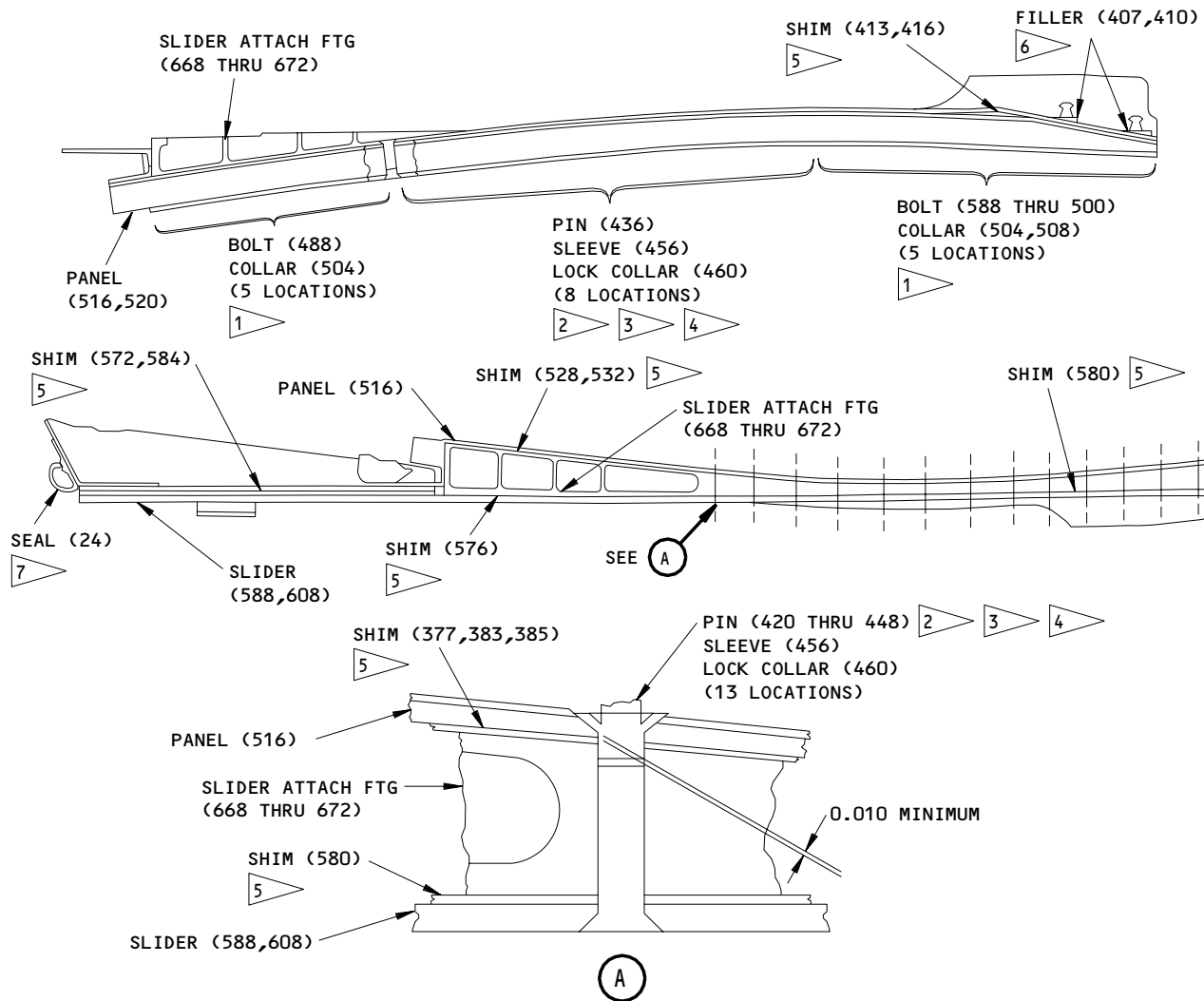


- 1 INSTALL FASTENERS WITH WET BMS 5-95 SEALANT UNDER HEADS
- 2 CSK 100° FOR PIN HEAD (0.057 IN CSK DEPTH)
- 3 0.010 MAX HEIGHT ABOVE SURFACE
- 4 CSK 100° FOR SLEEVE. SHAVE BROKEN PIN END FLUSH WITH SLEEVE. 0.010 MAX PROTRUSION. WITHIN 4 HRS APPLY ALODINE 1200S THEN WITHIN 4 HRS ALUMINIZED EPOXY PRIMER (F-14.963, WHICH REPLACES SRF-14.963)
- 5 BEFORE INSTALLATION, APPLY BMS 5-95 SEALANT TO SHIM MATING SURFACES. USE AS REQUIRED WITH ONE SHIM MAX 0.01 MAX GAP BEFORE FASTENER INSTALLATION. FINISH WITH BMS 10-11, TYPE 1 PRIMER

- 6 BEFORE INSTALLATION, APPLY SEALANT BMS 5-95. PRESSURE FAYING SURFACE SEAL ON ENTIRE FILLER MATING SURFACE
- 7 BOND SEAL WITH ADHESIVE TYPE 60 (SOPM 20-50-12)

ITEM NUMBERS REFER TO FIG. 1
ALL DIMENSIONS ARE IN INCHES

315T4500-1,-2,-7 Thru -10
315T4026-11 Thru -16
Panel and Slider Assembly Installation
Figure 701

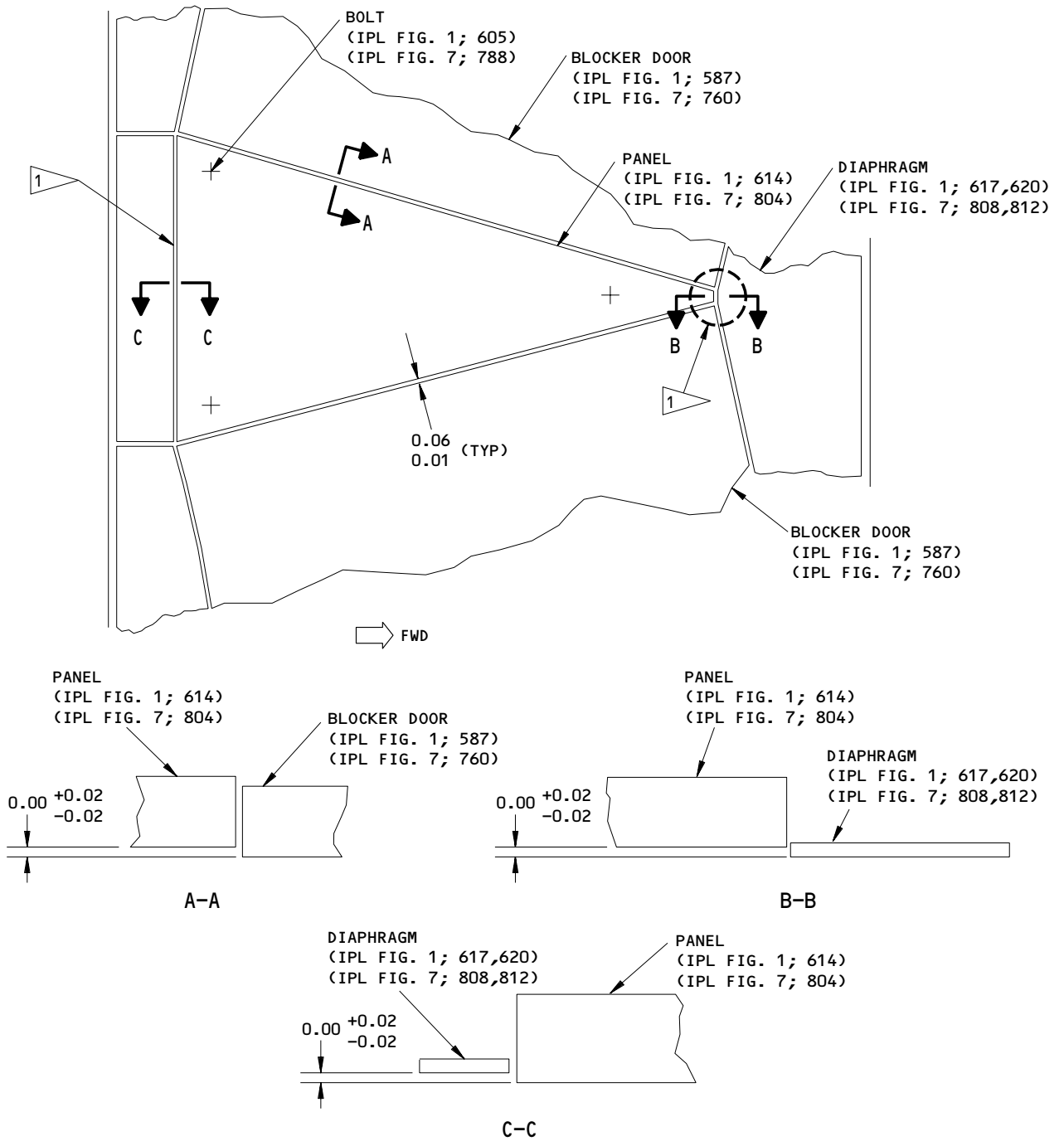


- 1 INSTALL FASTENERS WITH WET BMS 5-95 SEALANT UNDER HEADS
- 2 CSK 100° FOR PIN HEAD (0.057 IN CSK DEPTH)
- 3 0.010 MAX HEIGHT ABOVE SURFACE
- 4 CSK 100° FOR SLEEVE. SHAVE BROKEN PIN END FLUSH WITH SLEEVE. 0.010 MAX PROTRUSION. WITHIN 4 HRS APPLY ALODINE 1200S THEN WITHIN 4 HRS ALUMINIZED EPOXY PRIMER (F-14.963, WHICH REPLACES SRF-14.963)
- 5 BEFORE INSTALLATION, APPLY BMS 5-95 SEALANT TO SHIM MATING SURFACES. USE AS REQUIRED WITH ONE SHIM MAX 0.01 MAX GAP BEFORE FASTENER INSTALLATION. FINISH WITH BMS 10-11, TYPE 1 PRIMER

- 6 BEFORE INSTALLATION, APPLY SEALANT BMS 5-95. PRESSURE FAYING SURFACE SEAL ON ENTIRE FILLER MATING SURFACE
- 7 BOND SEAL WITH ADHESIVE TYPE 60 (SOPM 20-50-12)

ITEM NUMBERS REFER TO FIG. 7
 ALL DIMENSIONS ARE IN INCHES

315T4500-13 Thru -18,-21 Thru -56
 Panel and Slider Assembly Installation
 Figure 701A



1 AERODYNAMIC SEALANT AREA BMS 5-95

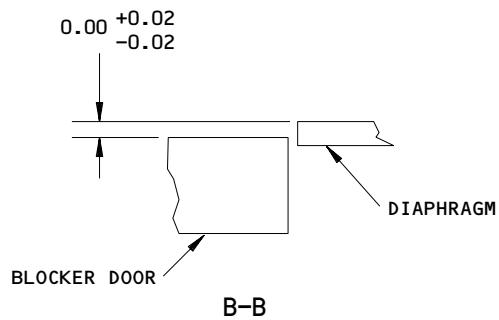
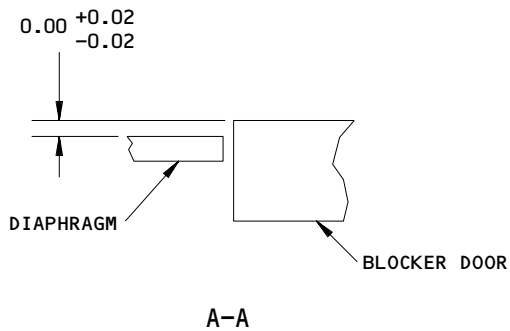
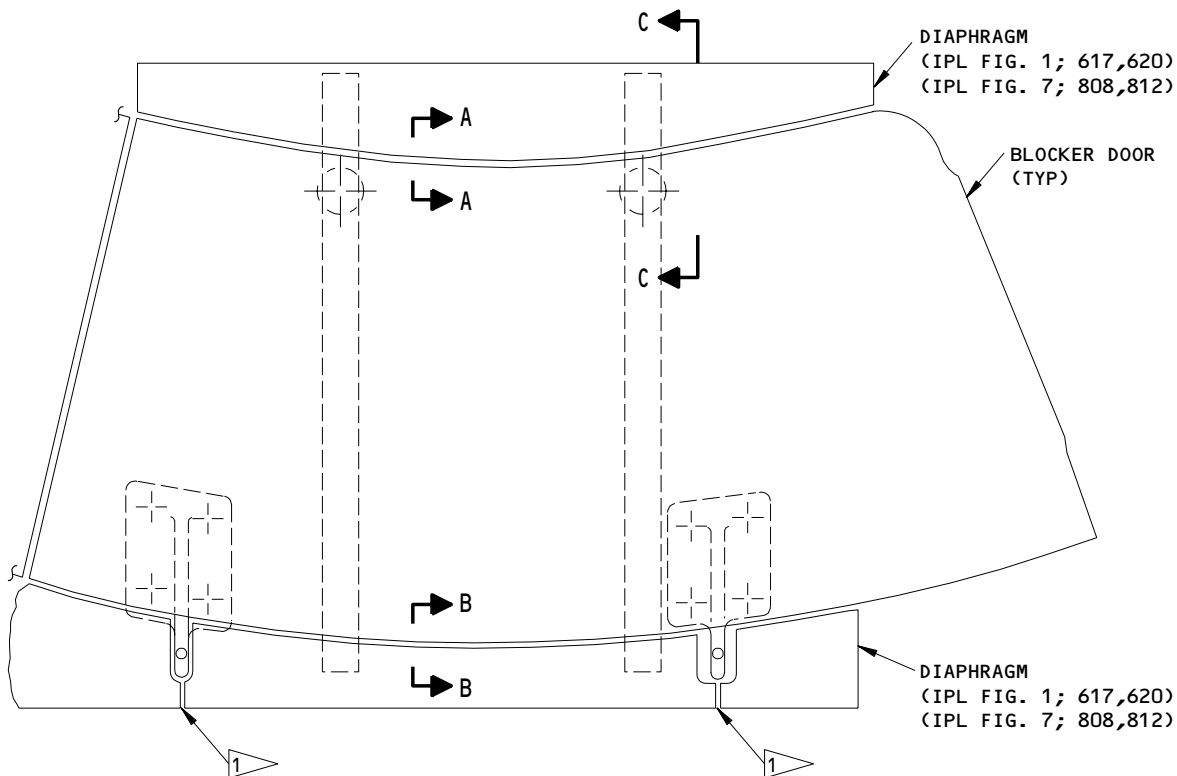
ALL DIMENSIONS ARE IN INCHES

315T3518-1
315T3521-14
Acoustic Panel Installation
Figure 702

78-31-45

ASSEMBLY
Page 715
Jul 01/03

01.1



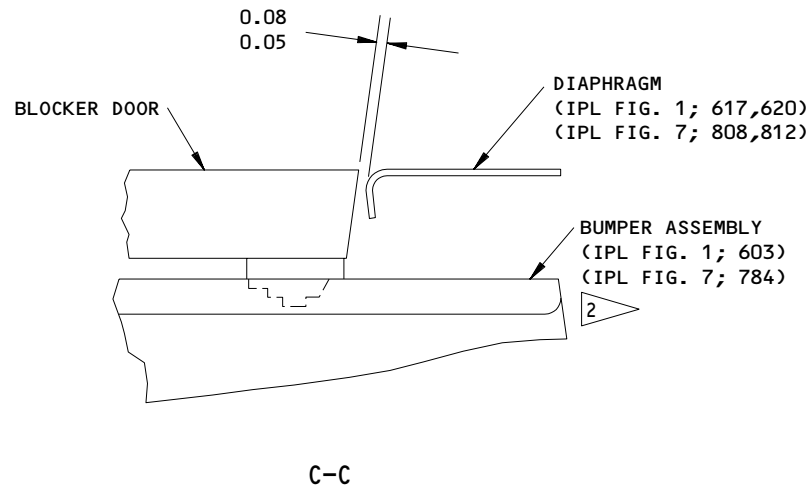
ALL DIMENSIONS ARE IN INCHES

Blocker Door Installation
 Figure 703 (Sheet 1)

78-31-45

ASSEMBLY
 Page 716
 Jul 01/03

01.1



- 1 FILL GAP WITH SEALANT BMS 5-95
- 2 INSTALL PAD (IPL FIG. 1;608,611) (IPL FIG. 7; 796,800) AS REQUIRED

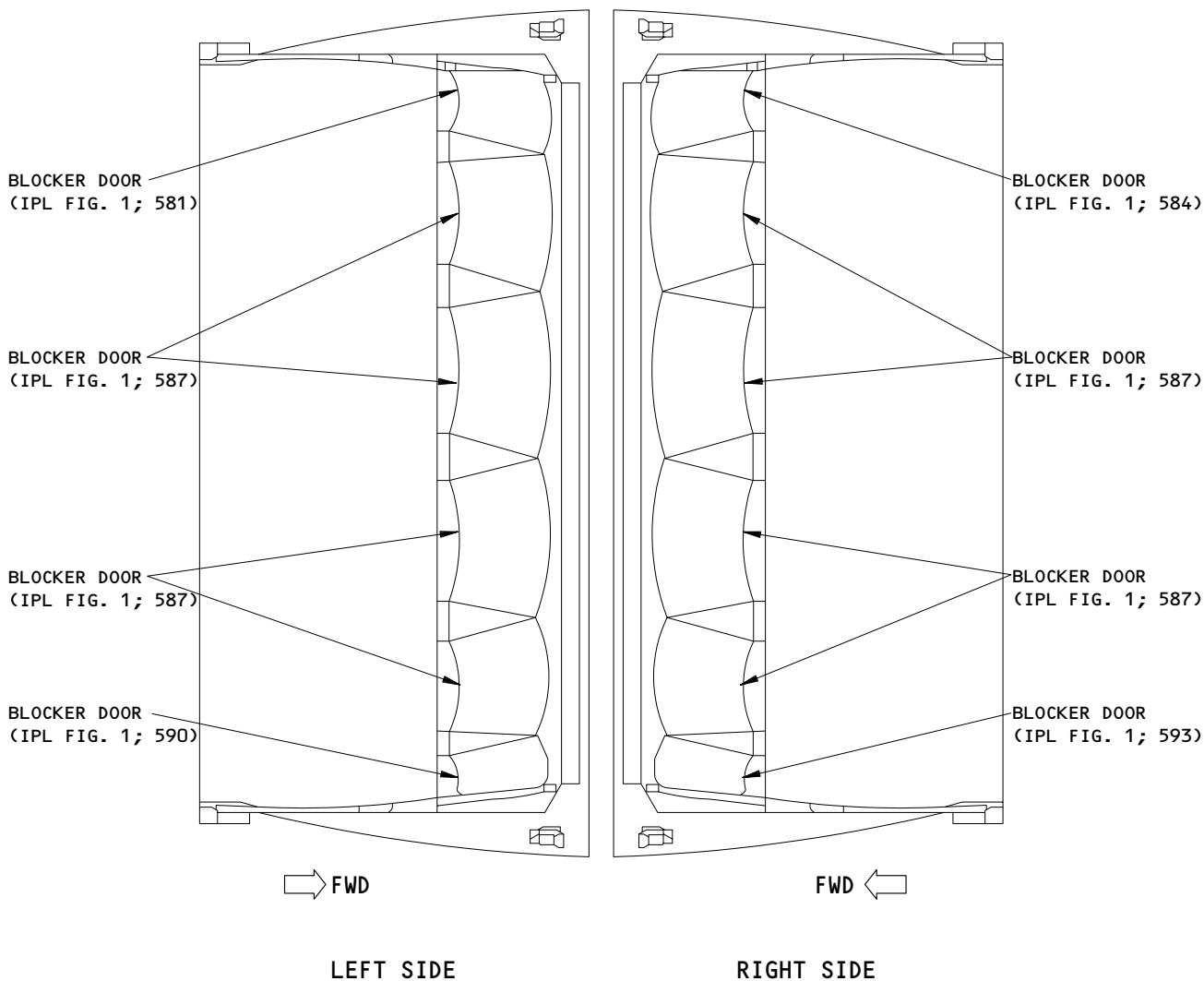
ALL DIMENSIONS ARE IN INCHES

Blocker Door Installation
Figure 703 (Sheet 2)

231481

78-31-45

ASSEMBLY
Page 717
Jul 01/03



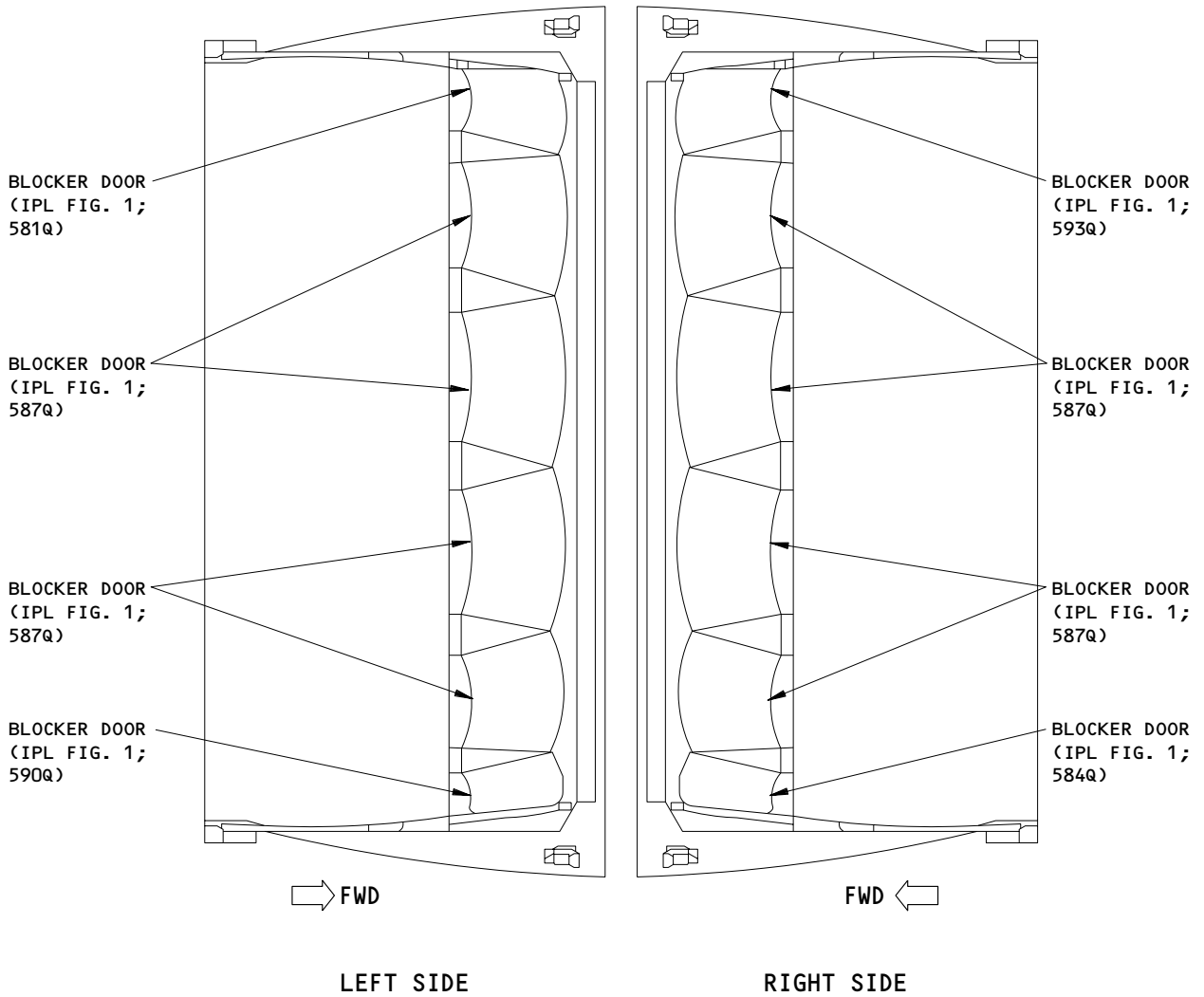
315T4026-11 THRU -16
 315T4500-1 THRU -16

Blocker Door Installation
 Figure 704 (Sheet 1)

78-31-45

ASSEMBLY
 Page 718
 Jul 01/04

01.1



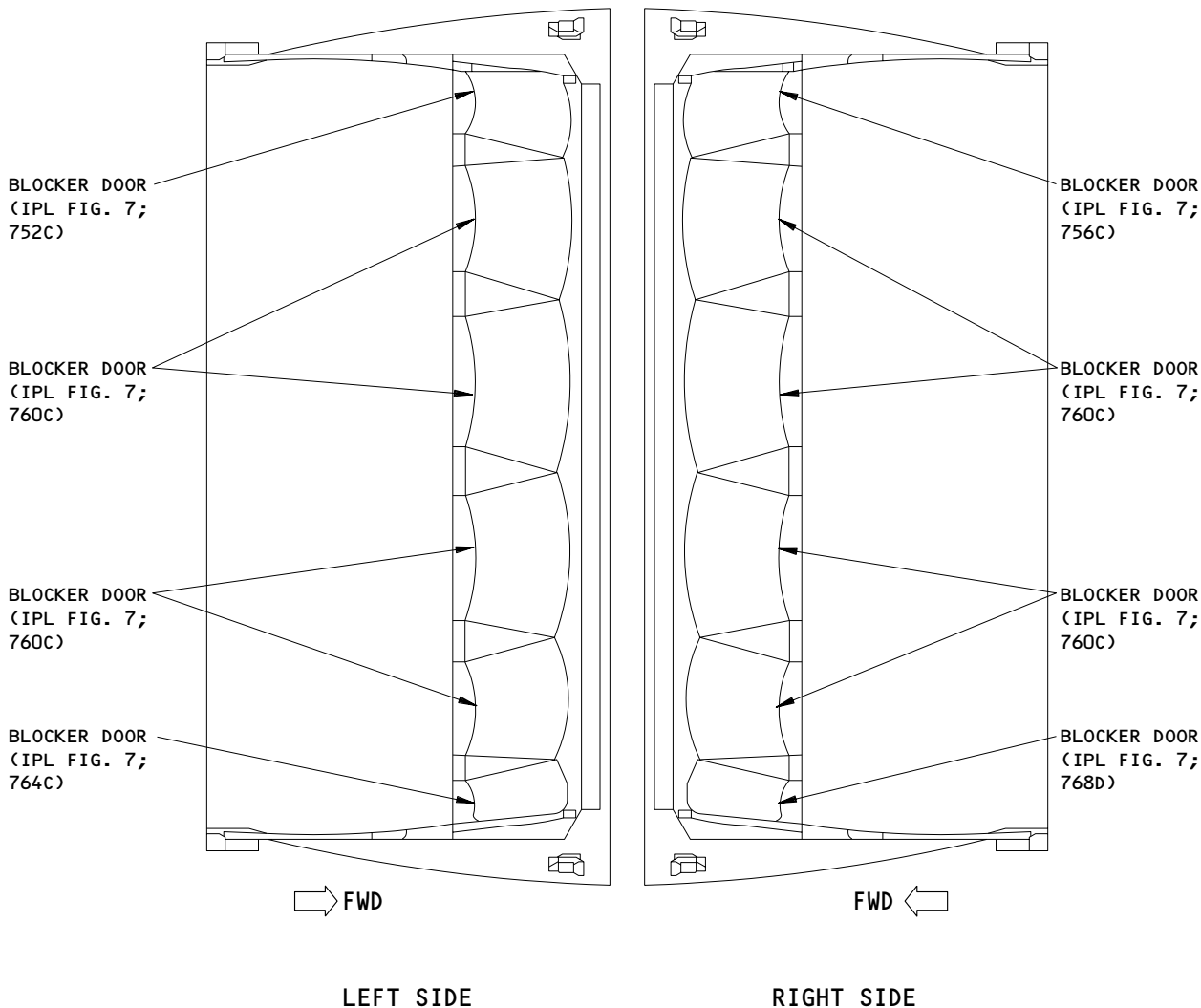
315T4500-17 THRU -44

Blocker Door Installation
Figure 704 (Sheet 2)

78-31-45

ASSEMBLY
Page 719
Jul 01/04

01.1



315T4500-45 THRU -56

Blocker Door Installation
 Figure 704 (Sheet 3)

78-31-45

ASSEMBLY
 Page 720
 Jul 01/04

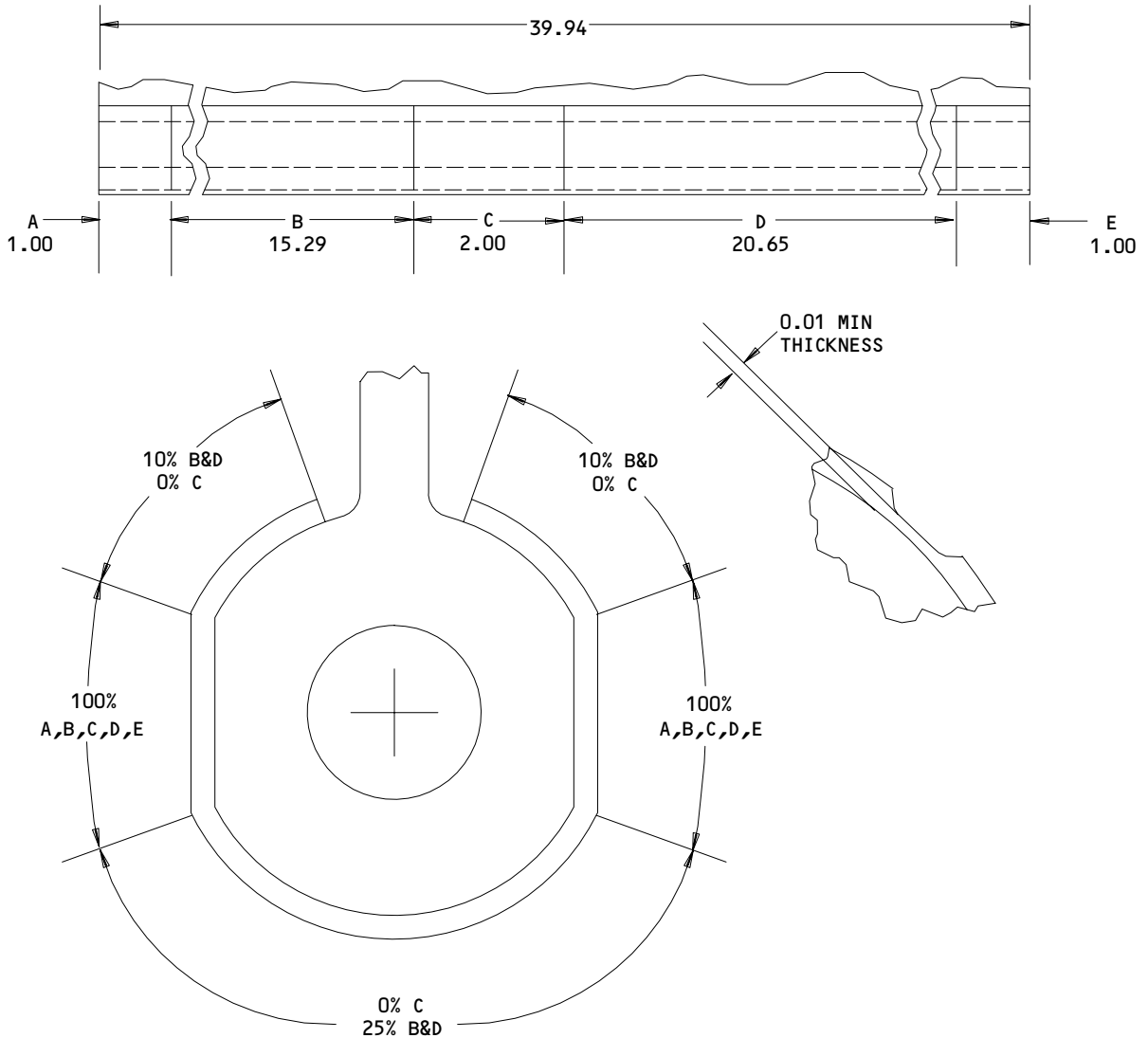
01.1

FITS AND CLEARANCES

NOTE: Refer to Fig. 802 for Torque Table.

1. Allowable Damage (IPL Fig. 1)

- A. Gouges and scratches in Rulon J tape must not be more than the limits shown in Fig. 801.



ALL DIMENSIONS ARE IN INCHES

Allowable Damage
Figure 801

231482

78-31-45

FITS AND CLEARANCES
01.1 Page 801
Jul 01/03

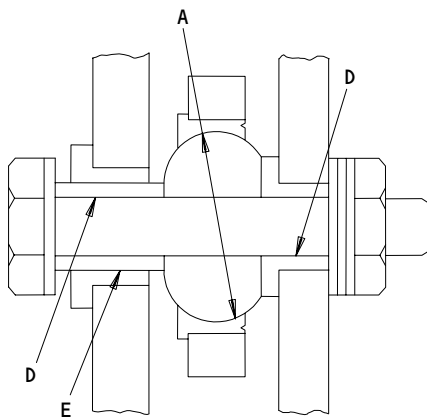
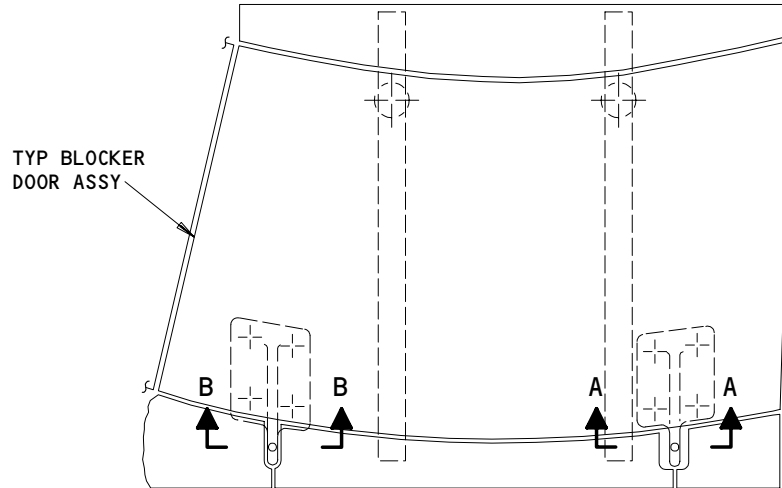
REF IPL		NAME	TORQUE*	
FIG. NO.	ITEM NO.		POUND-INCHES	POUND-FEET
1	154	Bolt	125-150	
1	554	Nut	300-400	
1	578	Nut	80-100	
1	605	Bolt	40 MIN	
2	130	Bolt	85-100	
3	110	Bolt	85-100	
4	130	Bolt	85-100	
7	172	Bolt	125-150	
7	712	Nut	300-400	
7	744	Nut	80-100	
7	788	Bolt	18-25	
9	95	Bolt	25-30	
9	105	Bolt	65 MAX	
10	70	Bolt	25-30	
10	80	Bolt	65 MAX	
11	95	Bolt	25-30	
11	105	Bolt	65 MAX	

* REFER TO SOPM 20-50-01 FOR TORQUE VALUES OF STANDARD FASTENERS.

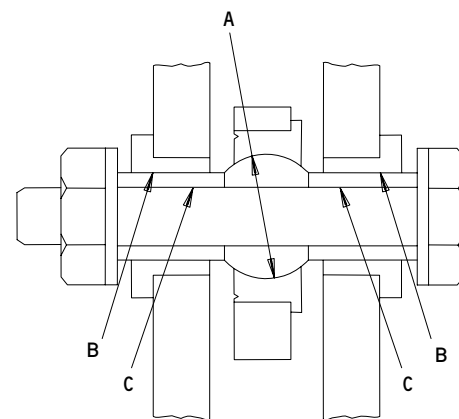
Torque Table
 Figure 802

78-31-45

FITS AND CLEARANCES
 01.1 Page 802
 Jul 01/03



CLAMPED HINGE
A-A

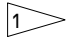


UNCLAMPED HINGE
B-B

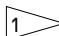
Fits and Clearances
Figure 803 (Sheet 1)

78-31-45

FITS AND CLEARANCES
01.1 Page 803
Jul 01/03

REF LETTER	REF IPL		DESIGN DIMENSION*				SERVICE WEAR LIMIT*		
	FIG. NO.	MATING ITEM NO.	DIMENSION		ASSEMBLY CLEARANCE		DIMENSION		MAXIMUM CLEARANCE
			MIN	MAX	MIN	MAX	MIN	MAX	
A	81	ID 10	0.5010	0.5015	0.0010	0.0020			
	81	OD 5	0.4995	0.5000					
B	6	ID 60	0.3750	0.3756	0.0005	0.0016	0.3725	0.3770	0.0045
	6	OD 55	0.3740	0.3745					
B	8	ID 940	0.3750	0.3756	0.0005	0.0016	0.3725	0.3770	0.0045
	8	OD 935	0.3740	0.3745					
C	6	ID 55	0.2500	0.2505	0.0004	0.0015	0.2475	0.2520	0.0045
	1	OD 572	0.2490	0.2496					
C	8	ID 935	0.2500	0.2505	0.0004	0.0015	0.2475	0.2520	0.0045
	7	OD 736	0.2490	0.2496					
D	6	ID 110,120	0.2500	0.2505	0.0004	0.0015	0.2475	0.2520	0.0045
	1	OD 572	0.2490	0.2496					
D	8	ID 880,890	0.2500	0.2505	0.0004	0.0015	0.2475	0.2520	0.0045
	7	OD 736	0.2490	0.2496					
E	6	ID 120	0.3750	0.3756	0.0005	0.0016	0.3725	0.3770	0.0045
	6	OD 110	0.3740	0.3745					
E	8	ID 885	0.3750	0.3756	0.0005	0.0016	0.3725	0.3770	0.0045
	8	OD 880	0.3740	0.3745					

* ALL DIMENSIONS ARE IN INCHES

 MAX RADIAL CLEARANCE 0.006, MAX AXIAL CLEARANCE 0.008

Fits and Clearances
 Figure 803 (Sheet 2)

78-31-45

FITS AND CLEARANCES
 01.1 Page 804
 Jul 01/03

SPECIAL TOOLS, FIXTURES, AND EQUIPMENT

1. Clam Shell Equipment -- A78014-1
2. Thrust reverser sling (used with overhead crane) -- A71002-48
(Replaces A71002-1, -22, -26, -34, -44)
3. Thrust reverser sleeve sling (used with general boom hoist) -- A78008-16
(Replaces A78008-1)
4. Blocker door hinge replacement jig -- A78015

78-31-45

SPECIAL TOOLS

01.1

Page 901

Jul 01/03

ILLUSTRATED PARTS LIST

1. This section lists and illustrates replaceable or repairable component parts. The Illustrated Parts Catalog contains a complete explanation of the Boeing part numbering system.

2. Indentures show parts relationships as follows:

Assembly

Detail Parts for Assembly

Subassembly

Attaching Parts for Subassembly

Detail Parts for Subassembly

Detail Installation Parts (included only if installation parts may be returned to shop as part of assembly)

3. One use code letter (A, B, C, etc.,) is assigned in the EFF CODE column for each variation of top assembly. All listed parts are used on all top assemblies except when limitations are shown by use code letter opposite individual part entries.

4. Letter suffixes (alpha-variants) are added to item numbers for optional parts, Service Bulletin modification parts, configuration differences (except left- and right-hand parts), product improvement parts, and parts added between two sequential item numbers. The alpha-variant is not shown on illustrations when appearance and location of all variants of the part is the same.

5. Service Bulletin modifications are shown by the notations PRE SB XXXX and POST SB XXXX.

A. When a new top assembly part number is assigned by Service Bulletin, the notations appear at the top assembly level only. The configuration differences at detail part level are then shown by use code letter.

B. When the top assembly part number is not changed by the Service Bulletin, the notations appear at the detail part level.

6. Parts Interchangeability

Optional
(OPT)

The parts are optional to and interchangeable with other parts having the same item number.

Supersedes, Superseded By
(SUPSDS, SUPSD BY)

The part supersedes and is not interchangeable with the original part.

Replaces, Replaced By
(REPLS, REPLD BY)

The part replaces and is interchangeable with, or is an alternate to, the original part.

VENDORS

A8053 SAIET SPA
VIA DEL VETRAIO 21
BOLOGNA, ITALY 40138

K8856 GKN WESTLAND AEROSPACE AVONMOUTH LTD
AVONMOUTH ROAD
AVONMOUTH, BRISTOL BS11 9DU, UNITED KINGDOM
FORMERLY BP ADVANCED MATERIALS; FORMERLY BRISTOL COMP MATLS

OPTK6 SPS TECHNOLOGIES INC AEROSPACE PRODUCTS DIV
5195 W 4700
SALT LAKE CITY, UTAH 94118
SEE V56878 SPS TECHNOLOGIES INC

02758 NETWORKS ELECTRONIC CORP U S BEARING DIV
9750 DE SOTO AVENUE
CHATSWORTH, CALIFORNIA 91311-4409
FORMERLY U S BEARING DIV NETWORKS ELEC CORP

06710 LAMSON AND SESSIONS CO THE VALLEY-TODECO
12975 BRADLEY AVENUE
SYLMAR, CALIFORNIA 91342-3830
FORMERLY VALLEY BOLT CORP VB0097 IN NORTH HOLLYWOOD, CA

06725 AIR INDUSTRIES CORPORATION
12570 KNOTT STREET
GARDEN GROVE, CALIFORNIA 92641-3932
FORMERLY AIR INDUSTRIES OF CALIF IN GARDENA, CALIF.

06950 SCREWCORP VSI AEROSPACE PRODUCTS DIV FAIRCHILD IND DIV
13001 EAST TEMPLE AVENUE PO BOX 730
CITY OF INDUSTRY, CALIFORNIA 91746-1417
FORMERLY VB0096 AND VSI CORP SCREWCORP DIV
FORMERLY IN CULVER CITY, CALIFORNIA

08524 DEUTSCH FASTENER CORP SEE CODE V97928

11815 CHERRY AEROSPACE FASTENERS DIV OF TEXTRON
1224 EAST WARNER AVENUE PO BOX 2157
SANTA ANA, CALIFORNIA 92707-0157
FORMERLY IN LOS ANGELES, CALIF , FORMERLY CHERRY FASTENERS
TOWNSEND DIV OF TEXTRON INC V71087

15653 ALOCA GLOBAL FASTEMERS INC DIV KAYNARE PRODUCTS
800 S STATE COLLEGE BLVD
FULLERTON, CALIFORNIA 92831-3001
FORMERLY VK6405 MICRODOT AEROSP LTD; FORMERLY KAYNAR TECH
FORMERLY FAIRCHILD FASTENERS KAYNAR DIV

78-31-45

ILLUSTRATED PARTS LIST
01.1 Page 1002
Jul 01/05

VENDORS

17446 HUCK INTL INC AEROSPACE FASTENER DIV
900 WATSON CENTER ROAD
CARSON, CALIFORNIA 90745-4201
FORMERLY V32134 REXNORD INC; FORMERLY V97928 HUCK INTL

27238 BRISTOL INDUSTRIES
630 EAST LAMBERT ROAD PO BOX 630
BREA, CALIFORNIA 92621-4119

5M902 ALCOA GLOBAL FASTENERS INC, DIV OF VOI-SHAN PRODUCTS
3000 W LOMITA BLVD
TORRANCE, CALIFORNIA 90505-5103
FORMERLY FAIRCHILD INC INC FAIRCHILD AEROSPACE FASTENERS DIV

50632 KAMATICS CORP SUB OF KAMAN CORP
1335 BLUE HILLS ROAD
BLOOMFIELD, CONNECTICUT 06002-1304

52828 REPUBLIC FASTENER MFG CORP
1300 RANCHO CONEJO BLVD
NEWBURY PARK, CALIFORNIA 91320-1405
FORMERLY IN SYLMAR, CALIFORNIA

53551 ALLFAST FASTENING SYSTEMS INC
15200 EAST DON JULIAN ROAD PO BOX 3166
CITY OF INDUSTRY, CALIFORNIA 91745-1001
FORMERLY V0736B
FORMERLY ALLFAST INC V5K545

56878 SPS TECHNOLOGIES INC AEROSPACE AND INDUSTRIAL PRODUCTS DIV
301 HIGHLAND AVE
JENKINTOWN, PENNSYLVANIA 19046
FORMERLY STANDARD PRESSED STEEL

57606 REXNORD CORP PSI BEARINGS DIV
2175 UNION PL
SIMI VALLEY, CALIFORNIA 93065-1661
FORMERLY PSI BEARINGS

60516 WEST COAST AEROSPACE INC
812 MIRAFLORES STREET
SAN PEDRO, CALIFORNIA 90731-1439

62554 SIMMONDS MECAERO FASTENERS INC
1734 SEQUOIA AVENUE
ORANGE, CALIFORNIA 92668

78-31-45

ILLUSTRATED PARTS LIST
01.1 Page 1003
Jul 01/05

VENDORS

72962 HARVARD INDUSTRIES INC
3 WERNER WAY SUITE 210
LEBANON, NEW JERSEY 08833
FORMERLY ESNA V7A079
FORMERLY ELASTIC STOP NUT IN UNION, NJ

73197 HI-SHEAR TECHNOLOGY CORP
2600 SKYPARK DRIVE
TORRANCE, CALIFORNIA 90509

80539 SPS TECHNOLOGIES INC DIV AERPSOACE - SANTA ANA
2701 SOUTH HARBOR BOULEVARD
SANTA ANA, CALIFORNIA 92704-5803
FORMERLY NUTT-SHEL DIV OF SPC WESTERN CO V80539
AND STANDARD PRESSED STEEL WESTERN DIV V17279

86831 KAISER ELECTRO PRECISION AEROSPACE AND ELECTRONIC CO
17000 SOUTH RED HILL AVENUE
IRVINE, CALIFORNIA 92714-5626
FORMERLY RUCKER PRECISION A DIV OF THE RUCKER CO SANTA ANA
FORMERLY ROYLYN DIV OF THE RUCKER CO GLENDALE, CALIFORNIA

9N513 VOI SHAN/CHATSWORTH DIV OF VSI CORP SUB OF FAIRCHILD IND
CHATSWORTH, CALIFORNIA 91311-5013
COMPANY NO LONGER WISHES TO BE CONSIDERED FOR FED CONTRCTG

92215 FAIRCHILD IND INC FAIRCHILD AEROSPACE FASTENER DIV
3010 W LOMITA BLVD
TORRANCE, CALIFORNIA 90505-5102
FORMERLY VOI-SHAN IN CULVER CITY, CALIF

97613 SARGENT CONTROLS & AEROSPACE/KAHR BEARING DIV
5675 W BURLINGAME RD
TUCSON, ARIZONA 85743
FORMERLY AETNA STEEL PROD KAHR BEARING DIV V96579
FORMERLY SARGENT IND KAHR BEARING DIV, BURBANK, CALIFORNIA

97928 SEE V17446 HUCK INTL
HUCK INTL SEE V17446 HUCK INTL
SEE V17446 HUCK INTL

98524 MONOGRAM AEROSPACE FASTENERS
3423 SOUTH GARFIELD AVENUE
LOS ANGELES, CALIFORNIA 90040-3103
FORMERLY NATIONAL SCREW & MFG CO V76689; ADJUSTABLE BUSHING
CORP, HOLLYWOOD, CA V15291; MONOGRAM/GVI IND INC, SUN
VALLEY, CA V29464

78-31-45

ILLUSTRATED PARTS LIST
01.1 Page 1004
Jul 01/05

315T4026
315T4500

 **BOEING**
COMPONENT
MAINTENANCE MANUAL

VENDORS

98996 OLYMPIC FASTENING SYSTEMS INC
DOWNEY, CALIFORNIA 90241-4986
OBSOLETE RECORD

78-31-45

ILLUSTRATED PARTS LIST
01.1 Page 1005
Jul 01/05

PART NUMBER	AIRLINE PART NO.	FIG.	ITEM	TTL REQ
AF5141-3-5		1	317	24
		7	392	24
AMB6V4035		1	563B	6
		7	724B	6
AMB6V4035B		80	1A	RF
		80	5B	1
AN960-10L		1	58	6
		1	94	4
		1	127	6
		5	22	9
		5	124	32
		5	148	10
		5	199	12
		5	298	12
		5	339	10
		5	369	86
		5	650	12
		5	683	12
		6	35	6
		6	37	6
		6	90	12
		8	160	9
		8	210	32
		8	245	10
		8	340	12
		8	565	12
		8	710	10
		8	740	46
8	870	12		
8	925	12		
AN960-616		1	551	6
AN960C416L		2	140	1
		3	115	1
		4	140	1
		1	371	14
AN960JD416		1	371	14

78-31-45

 ILLUSTRATED PARTS LIST
 01.1 Page 1006
 Jul 01/05

PART NUMBER	AIRLINE PART NO.	FIG.	ITEM	TTL REQ
AN960KD10L		1	28	37
		7	32	37
ASPFFDT08-08		1	332B	2
		1	334B	2
		7	412	4
ASPFFDT08-10		1	335A	2
		7	416	2
ASPFFDT08-13		1	338A	8
		7	420	8
ASPFFDT08-14		1	341A	4
ASPFFDT08-14		7	440	4
ASPFFDT08-16		1	344A	2
		7	444	2
ASPFFDT08-17		1	347A	4
		7	436	4
ASPFFDT08-19		1	350A	2
		7	448	2
ASPFFDT08-20		1	353A	2
		7	432	2
ASPFFDT08-23		1	356A	2
		7	428	2
ASPFFDT08-25		1	359A	4
		7	424	4
ASPFFDT8-10		1	334A	2
		1	335	2
ASPFFDT8-13		1	338	8
ASPFFDT8-14		1	341	4
ASPFFDT8-16		1	240A	15
		1	344	2
ASPFFDT8-17		1	347	4
ASPFFDT8-19		1	350	2

78-31-45

ILLUSTRATED PARTS LIST
01.1 Page 1007
Jul 01/05

PART NUMBER	AIRLINE PART NO.	FIG.	ITEM	TTL REQ
ASPF FDT8-20		1	353	2
ASPF FDT8-23		1	356	2
ASPF FDT8-25		1	359	4
ASPF FDT8-9		1	332	2
ASPF FEU08-20AC		1	162	79
		7	180	79
ASPF FEU8-16AC		1	240	15
ASPF FV08-16AC		7	300B	15
ASPF SDT08		1	362A	52
		7	456	52
ASPF SDT8		1	163	79
		1	241	15
		1	362	52
		7	184	79
ASPF SV08AC		7	304A	15
ASPL CMV08		7	308A	15
ASPL C2AC06		1	79A	6
		7	80	6
ASPL C2AC8		1	166	79
		1	244	15
		1	365	52
		7	188	79
		7	460	52
ASP100 FDT08-17		1	360A	18
ASP100 FDT08-17		7	452	18
BACB28AK03-016		2	195	1
		3	160	1
		4	190	1
BACB28AK04-038		6	55	12
		6	110	6
BACB28AK04-280		9	125	1
		10	100	1
		11	125	1
BACB28AM06B016A		6	60	12
		6	115	6
BACB28AM07B022A		1	274	3
		7	348	3
BACB28AP04P015		6	120A	6

78-31-45

 ILLUSTRATED PARTS LIST
 01.1 Page 1008
 Jul 01/05

PART NUMBER	AIRLINE PART NO.	FIG.	ITEM	TTL REQ		
BACB28AP04P016		5	662	6		
		6	120	6		
		8	890	6		
BACB28AP04P017		2	110	1		
		3	85	1		
		4	115	1		
		1	271	3		
BACB28AP05P022		7	344	3		
		2	190A	2		
BACB28AP06-012		3	140A	2		
		4	185A	2		
		2	115	1		
BACB28AP06P016		2	190	2		
		3	90	1		
		3	140	2		
		4	110	1		
		4	185	2		
		5	659	6		
		5	692	12		
		6	60A	12		
		6	115A	6		
		8	885	6		
		8	940	12		
		BACB30FN5-4		5	390	16
				8	780	16
BACB30LE6-44		1	548	6		
BACB30LE6K46		7	700	6		
BACB30LJ4U35		2	130	1		
		3	110	1		
		4	130	1		
		9	105	1		
BACB30LM4U47		10	80	1		
		11	105	1		
		1	500	2		
BACB30LP4P4		7	620	2		
		1	310	12		
BACB30LR4-4		1	309	3		
BACB30LR4-6		5	164	2		
BACB30MY5K3		5	208	24		
		8	355	24		
		5	178	2		
BACB30MY5K4		8	290	2		
		5	250	6		
BACB30MY6K2		5	274	18		
		8	480	18		
		8	545	6		
		8	545	6		

78-31-45

ILLUSTRATED PARTS LIST
01.1 Page 1009
Jul 01/05

PART NUMBER	AIRLINE PART NO.	FIG.	ITEM	TTL REQ
BACB30MY6K3		5	229	27
		5	253	6
		8	410	27
BACB30MY6K4		8	485	6
		5	232	9
		5	305	36
		5	327	30
		8	405	9
		8	575	36
BACB30MY6K5		8	665	30
		1	512	2
		5	226	12
		5	474	2
		7	636	2
		8	400	12
		8	675	10
		8	755	75
BACB30MY6K6		8	810	2
		1	515	4
		2	175	1
		3	145	1
		4	170	1
		5	308	12
		7	640	4
		8	580	12
		8	670	10
		1	25A	37
BACB30NE3-7		1	55	6
BACB30NM3C4		5	196	12
BACB30NM3K4		7	52	6
BACB30NM3K4		8	335	12
BACB30NM3K6		1	88	2
		1	121	2
		7	92	2
		7	132	2
BACB30NM3K7		5	644A	12
		5	677A	12
		6	30	12
		6	85	12
		8	860A	12
		8	915A	12
BACB30NM3K8		5	644	12
		5	677	12
		6	30A	12
		8	860	12
		8	915	12
		8	915	12

78-31-45

 ILLUSTRATED PARTS LIST
 01.1 Page 1010
 Jul 01/05

PART NUMBER	AIRLINE PART NO.	FIG.	ITEM	TTL REQ
BACB30NN3K16		5	16	9
		5	118	32
		5	145A	10
		8	150	9
		8	200	32
		8	240	10
		8	270	2
		5	19	3
BACB30NN3K17		5	109A	25
		5	121	16
		5	142	2
		8	135	25
		8	155	3
		8	205	16
		8	255	10
		8	255	10
BACB30NN3K19		1	605	15
BACB30NN3K3		7	788	15
		5	411	10
BACB30NN3K4		8	132	10
		5	333A	30
BACB30NN3K5		5	363A	6
		8	685	30
		8	730	6
		5	366A	80
BACB30NN3K6		8	735	40
		5	295A	12
BACB30NN3K6		5	336A	10
		8	560	12
BACB30NN3K6		8	705	10
BACB30NN3K8		1	91	2
		1	124	4
BACB30NN4K4		7	96	2
		7	136	4
		1	315P	12
		1	316U	12
BACB30NN4K6		1	315G	3
		1	316S	3
BACB30NW10K14		7	332	3
		7	364A	12
		7	564	6
		1	458	6
BACB30NW10K15		5	61	4
BACB30NW5K4		5	79	16
		5	91	4
		8	30	4
		8	70	16
		8	100	4
		8	100	4

78-31-45

PART NUMBER	AIRLINE PART NO.	FIG.	ITEM	TTL REQ
BACB30NW6K11		1	449	12
		7	552	12
BACB30NW6K13		1	452	2
		7	556	2
BACB30NW6K5		5	223	12
		5	477	2
		5	711	2
		8	395	12
		8	620	10
		8	805	4
BACB30NW8K11		1	440	4
BACB30NW8K13		1	443	4
BACB30NW8K7		7	544	4
		1	434	6
BACB30NW8K8		7	464	6
		1	437	4
BACB30NY6K17		7	468	8
		9	95	4
		10	70	4
		11	95	4
		9	20	3
		9	60	3
BACB30NY6K18		10	10	3
		10	40	3
		11	20	3
		11	60	3
		5	708	2
		8	615	10
BACB30NY6K6		5	647	6
		5	680	6
		6	45	6
		6	100	6
		8	865	6
		8	920	6
BACB30NZ5K14		1	211	12
		7	256	12
BACB30NZ6K18		2	15	4
		2	90	4
		3	10	4
		3	65	4
		4	15	4
		4	90	4
BACB30NZ6K4		1	284	27
		7	356	27
BACB30NZ6K5		2	10	4
		3	5	4
		4	10	4

78-31-45

 ILLUSTRATED PARTS LIST
 01.1 Page 1012
 Jul 01/05

PART NUMBER	AIRLINE PART NO.	FIG.	ITEM	TTL REQ
BACB30NZ6K6		5	375	2
		8	750	2
BACB30NZ8K16		1	181	6
		7	208	6
BACB30NZ8K17		1	182	8
		1	386A	2
		1	395	10
		7	212	8
BACB30NZ8K18		7	488	12
		1	178	4
		1	392	2
		7	204	4
BACB30NZ8K19		7	496	2
		1	180	2
BACB30NZ8K22		1	386	2
		1	389A	2
		1	398	2
		7	492	2
BACB30NZ8K24		7	500	2
		1	389	2
BACB30NZ8K7		1	250	9
		7	316	9
BACB30VF3K4		1	596	12
		7	772	12
BACB30VF4K5		1	368	14
		7	476	14
BACB30VF7K2		1	154	3
		7	172	3
BACB30VF8K2		1	157	1
		7	176	1
BACB30VU5K5		8	385	12
		8	640	10
BACC30AB6C		2	185	1
		3	155	1
		4	180	1
		7	508	2
BACC30AG8		8	390	12
BACC30BL5		8	645	10

78-31-45

PART NUMBER	AIRLINE PART NO.	FIG.	ITEM	TTL REQ
BACC30M10		1	461	6
		7	568	6
BACC30M5		1	214	12
		5	64	4
		5	82	16
		5	94	4
		5	166	2
		5	181	2
		5	211	24
		5	393	16
		7	260	12
		8	35	4
		8	75	16
		8	105	4
		8	275	2
		8	295	2
		8	360	24
BACC30M6		8	785	16
		1	287	27
		1	455	14
		1	518	6
		2	20	8
		3	15	8
		4	20	8
		5	235	60
		5	256	12
		5	277	18
BACC30M6		5	311	48
		5	330	30
		5	378	2
		5	480	4
		5	714	4
		7	360	27
		7	560	14
		7	644	6
		8	415	60
		8	490	24
		8	550	6
		8	585	48
		8	625	20
8	680	50		
8	760	78		
8	815	6		

78-31-45

 ILLUSTRATED PARTS LIST
 01.1 Page 1014
 Jul 01/05

PART NUMBER	AIRLINE PART NO.	FIG.	ITEM	TTL REQ	
BACC30M8		1	184	18	
		1	256	9	
		1	401	14	
		1	405	4	
		1	446	18	
		7	216	18	
		7	320	9	
		7	472	14	
		7	504	16	
		7	548	4	
	BACC30X6		5	653	6
			5	686	6
	BACC30X6S		6	50	6
		6	105	6	
BACC30X6SW		8	875	6	
		8	930	6	
BACF3T04E12-14		1	380A	2	
BACN10GW3A		1	97A	2	
		1	130A	2	
BACN10GW3AS		1	97	2	
		1	130	2	
	6	40	12		
	6	95	12		
BACN10HR6CS		1	554	6	
		7	712	6	
BACN10JA3CD		1	13	2	
		7	12	2	
BACN10JC08CM		1	404	4	
BACN10JC3CM		1	61	6	
		5	25	9	
	5	126	32		
	5	151	10		
	5	202	12		
BACN10JC3CM		5	302	12	
		5	342	40	
		5	372	86	
		7	60	6	
		8	165	9	
		8	215	32	
		8	250	10	
		8	345	12	
		8	570	12	
		8	715	75	
	8	745	46		

78-31-45

ILLUSTRATED PARTS LIST
01.1 Page 1015
Jul 01/05

PART NUMBER	AIRLINE PART NO.	FIG.	ITEM	TTL REQ
BACN10JC4CM BACN10JR3CFM		1	374	14
		1	602	12
		5	354	45
		5	507	2
		5	519	10
		5	531	4
		5	543	5
		5	567	2
		5	579	2
		5	591	5
		5	603	4
		5	618	2
		7	780	12
		8	695	45
	BACN10JR3F		1	523D
		1	533	3
		7	664	3
BACN10JR4CFM		7	688	3
		1	302	12
		1	320	11
		7	380	12
		7	396	11
BACN10KB3CFM		7	400A	1
		5	357	35
		5	426	10
		5	447	4
		5	456	8
		8	700	45
BACN10KB4CFM		8	845	12
		1	265A	3
		1	323	1
		7	336	3
		7	400	1
BACN10XJ3		2	95	4
BACN10XJ3		3	70	4
		4	95	4
BACN10YR4CM		7	484	14
		9	120	1
		10	95	1
		11	120	1

78-31-45

 ILLUSTRATED PARTS LIST
 01.1 Page 1016
 Jul 01/05

PART NUMBER	AIRLINE PART NO.	FIG.	ITEM	TTL REQ	
BACN10ZZ3D		9	30	3	
		9	70	3	
		9	100	4	
		10	20	3	
		10	50	3	
		10	75	4	
		11	30	3	
		11	70	3	
		11	100	4	
	BACR15BA3AD		1	10	4
			1	523	6
		1	530	6	
		1	599	24	
		5	351	175	
		5	423A	20	
		5	444	8	
		5	453	16	
		5	504	4	
		5	516	20	
		5	528	8	
		5	540	10	
		5	564	4	
		5	576	4	
		5	588	10	
		5	600	8	
		5	615	4	
		7	8	4	
		7	660	6	
		7	684	6	
	7	776	24		
	8	690	180		
	8	840	24		

78-31-45

ILLUSTRATED PARTS LIST
01.1 Page 1017
Jul 01/05

PART NUMBER	AIRLINE PART NO.	FIG.	ITEM	TTL REQ
BACR15BA3AD4		1	299	24
		7	376	24
BACR15BA3AD6		1	262	6
		7	328	6
BACR15BA4D		5	381	2
		8	765	4
BACR15CE5KE		5	187A	2
BACR15CE5KE		8	380	12
		8	635A	10
BACR15CE6KE		5	501	1
		5	612	2
BACR15DR3A5		1	317	24
		7	392	24
BACR15FT5KE		5	171	2
		5	220	24
		5	320	30
		5	360	4
		8	375	12
		8	600	30
		8	630	10
BACR15FT6KE		5	498	1
		8	650	30
BACS40R006B024F		8	60	10
BACS40R007C014F		8	185	2
BACS40R008C014F		7	574	2
BACS40R008C027F		7	578	2
BACS40R009B014F		8	90	8
BACS40R009C020F		8	190	1
BACS40R09C09F		5	28	1
		5	429	10
		8	725	10

78-31-45

 ILLUSTRATED PARTS LIST
 01.1 Page 1018
 Jul 01/05

PART NUMBER	AIRLINE PART NO.	FIG.	ITEM	TTL REQ
BACS40R09C90F		5	345	5
BACS40R10C10F		1	416	2
		2	35	8
		3	30	8
		4	35	8
BACS40R10C22F		2	25	2
		3	25	2
		4	25	2
BACS40R10D40F		1	64	6
		7	64	6
BACS40R11A27F		1	187	4
		7	220	4
BACS40R11A42F		1	193	4
		7	228	4
BACS40R11B27F		1	190	4
		7	224	4
BACS40R11B42F		1	196	4
		7	232	4
BACS40R11C22F		2	30	2
		3	20	2
		4	30	2
BACS40R12B480F		1	169	3
		7	192	3
BACS40R13C55F		7	536	2
BACS40R14B195F		1	377	2
		7	528	2
BACS40R14C18F		1	383	2
BACS40R14C240F		1	470	2
		7	580	2
BACS40R14C28F		1	467	2
		7	576	2
BACS40R14C94F		1	385	2
		7	532	2
BACS40R17C127F		1	464	2
		7	572	2
BACS40R17C130F		1	473	2
		7	584	2
BACS40R20C30F		1	103	1
		7	108	1
BACS40R29C30F		1	136	1
		7	148	1
BACS40U4L3C		2	145	1
		3	120	1
		4	145	1

78-31-45

PART NUMBER	AIRLINE PART NO.	FIG.	ITEM	TTL REQ
BACW10BP3NAPU		2	180A	2
		3	150A	2
		4	175A	2
BACW10BP3NDP		2	180	2
		3	150	2
		4	175	2
BACW10BP3NPTU		2	180B	2
		3	150B	2
		4	175B	2
BACW10BP4ACU		1	575	36
		7	740	30
		9	110	1
		10	85	1
		11	110	1
BACW10BP6CD		1	553	6
		7	704	6
BACW10EH10AY		1	604A	12
		7	784J	12
BACW10P166L		1	606	15
		7	792	15
BACW10P205L		1	606A	15
		7	792A	15
BACW10P304L		1	606B	15
		7	792B	15
BCREFA4913		1	1T	RF
BCREFA4914		1	5T	RF
BCREFA4954		1	1U	RF
BCREFA4955		1	5U	RF
BH003026CS		1	554	6
		7	712	6
BH00303-6		1	554	6
		7	712	6
BH003036		1	554	6
		7	712	6
BH00309-3		2	95	4
		3	70	4
		4	95	4
BH00309-3S		2	95	4
		3	70	4
		4	95	4
BMN5024CPD3-6		1	554	6
		7	712	6

78-31-45

 ILLUSTRATED PARTS LIST
 01.1 Page 1020
 Jul 01/05

PART NUMBER	AIRLINE PART NO.	FIG.	ITEM	TTL REQ
BMN5024CPD36		1	554	6
		7	712	6
BRF100C3M		5	357	35
		5	426	10
		5	447	4
		5	456	8
		8	700	45
		8	845	12
BRF100C4M		1	265A	3
		1	323	1
		7	336	3
		7	400	1
BRF110C3D		1	13	2
		7	12	2
BRF170C3D		1	13	2
		7	12	2
BRF200A3		1	523D	3
		1	533	3
		7	664	3
		7	688	3
BRF200C3M		1	602	12
		5	354	45
		5	507	2
		5	519	10
		5	531	4
		5	543	5
BRF200C3M		5	567	2
		5	579	2
		5	591	5
		5	603	4
		5	618	2
		7	780	12
		8	695	45

78-31-45

ILLUSTRATED PARTS LIST
01.1 Page 1021
Jul 01/05

PART NUMBER	AIRLINE PART NO.	FIG.	ITEM	TTL REQ	
BRF200C4M		1	302	12	
		1	320	11	
		7	380	12	
		7	396	11	
		7	400A	1	
BRH10C08M		1	404	4	
BRH10C3M		1	61	6	
		5	25	9	
		5	126	32	
		5	151	10	
		5	202	12	
		5	302	12	
		5	342	40	
		5	372	86	
		7	60	6	
		8	165	9	
		8	215	32	
		8	250	10	
		8	345	12	
		8	570	12	
		8	715	75	
		8	745	46	
	BRH10C4M		1	374	14
	B30NW10K14		7	564	6
	B30NW10K15		1	458	6
B30NW5K4		5	61	4	
		5	79	16	
		5	91	4	
		8	30	4	
		8	70	16	
		8	100	4	

78-31-45

 ILLUSTRATED PARTS LIST
 01.1 Page 1022
 Jul 01/05

PART NUMBER	AIRLINE PART NO.	FIG.	ITEM	TTL REQ
B30NW6K11		1	449	12
		7	552	12
B30NW6K13		1	452	2
		7	556	2
B30NW6K5		5	223	12
		5	477	2
B30NW6K5		5	711	2
		8	395	12
		8	620	10
		8	805	4
B30NW8K11		1	440	4
B30NW8K13		1	443	4
		7	544	4
B30NW8K7		1	434	6
		7	464	6
B30NW8K8		1	437	4
		7	468	8
CCR264CS3-5TT		1	317	24
		7	392	24
CR2164-5-2		5	139	1
CR2164-5-3		5	13A	4
		5	115A	16
		5	136A	4
		1	554	6
CR5908		7	712	6
		5	357	35
F2001-3		5	426	10
		5	447	4
		5	456	8
		8	700	45
		8	845	12
		1	265A	3
F2001-4		1	323	1
		7	336	3
		7	400	1
		1	523D	3
F5000-3BAC		1	533	3
		7	664	3
		7	688	3

78-31-45

ILLUSTRATED PARTS LIST
01.1 Page 1023
Jul 01/05

PART NUMBER	AIRLINE PART NO.	FIG.	ITEM	TTL REQ
F5001-3BAC		1	602	12
		5	354	45
		5	507	2
		5	519	10
		5	531	4
		5	543	5
F5001-3BAC		5	567	2
		5	579	2
		5	591	5
		5	603	4
		5	618	2
		7	780	12
		8	695	45
		8	695	45
F5001-4BAC		1	302	12
		1	320	11
		7	380	12
		7	396	11
		7	400A	1
F51636-3		1	13	2
		7	12	2
HL10VAZ6-6		1	515	4
		2	175	1
		3	145	1
		4	170	1
		5	308	12
		7	564	6
HL11VAZ10-14		1	458	6
HL11VAZ10-15		5	61	4
HL11VAZ5-4		5	79	16
		5	91	4
		8	30	4
		8	70	16
		8	100	4
		1	449	12
		7	552	12
		1	452	2
HL11VAZ6-11		7	556	2
		5	223	12
		5	477	2
		5	711	2
		8	395	12
		8	620	10
HL11VAZ6-13		8	805	4
		8	805	4
HL11VAZ6-5		8	805	4

78-31-45

 ILLUSTRATED PARTS LIST
 01.1 Page 1024
 Jul 01/05

PART NUMBER	AIRLINE PART NO.	FIG.	ITEM	TTL REQ
HL11VAZ8-11		1	440	4
HL11VAZ8-13		1	443	4
		7	544	4
HL11VAZ8-7		1	434	6
		7	464	6
HL11VAZ8-8		1	437	4
		7	468	8
HL11V6-5		5	223	12
		5	477	2
		5	711	2
		8	395	12
		8	620	10
		8	805	4
HL1187-6		5	653	6
		5	686	6
HL1187DUW6		8	875	6
		8	930	6
HL1187DU6		6	50	6
		6	105	6
HL13VAZ6-17		9	95	4
		10	70	4
		11	95	4
HL13VAZ6-18		9	20	3
		9	60	3
		10	10	3
		10	40	3
		11	20	3
		11	60	3
HL13VAZ6-5		5	708	2
		8	615	10
HL13VAZ6-6		5	647	6
		5	680	6
		6	45	6
		6	100	6
		8	865	6
		8	920	6

78-31-45

ILLUSTRATED PARTS LIST
01.1 Page 1025
Jul 01/05

PART NUMBER	AIRLINE PART NO.	FIG.	ITEM	TTL REQ
HL13V5		5	708	2
		8	615	10
HL13V6		5	647	6
		5	680	6
		6	45	6
		6	100	6
		8	865	6
		8	920	6
HL19-5-4		5	390	16
		8	780	16
HL19PB5-4		5	390	16
		8	780	16
HL523-17		1	182	8
		1	386A	2
		1	395	10
		7	212	8
		7	488	12
HL523AZ5-14		1	211	12
		7	256	12
HL523AZ6-18		2	15	4
		2	90	4
		3	10	4
		3	65	4
		4	15	4
		4	90	4
HL523AZ6-4		1	284	27
		7	356	27
HL523AZ6-5		2	10	4
		3	5	4
		4	10	4
HL523AZ6-6		5	375	2
		8	750	2
HL523AZ8-16		1	181	6
		7	208	6
HL523AZ8-17		1	182	8
		1	386A	2
		1	395	10
		7	212	8
		7	488	12

78-31-45

 ILLUSTRATED PARTS LIST
 01.1 Page 1026
 Jul 01/05

PART NUMBER	AIRLINE PART NO.	FIG.	ITEM	TTL REQ
HL523AZ8-18		1	178	4
		1	392	2
		7	204	4
HL523AZ8-19		7	496	2
		1	180	2
		1	386	2
HL523AZ8-22		1	389A	2
		1	398	2
		7	492	2
HL523AZ8-24		7	500	2
		1	389	2
		1	250	9
HL523AZ8-7		7	316	9
		1	214	12
		5	64	4
HL70-5		5	82	16
		5	94	4
		5	166	2
		5	181	2
		5	211	24
		5	393	16
		7	260	12
		8	35	4
		8	75	16
		8	105	4
		8	275	2
		8	295	2
		8	360	24
8	785	16		

78-31-45

ILLUSTRATED PARTS LIST
01.1 Page 1027
Jul 01/05

PART NUMBER	AIRLINE PART NO.	FIG.	ITEM	TTL REQ
HL79-10		1	461	6
		7	568	6
HL79-6		1	287	27
HL79-6		1	455	14
		1	518	6
		2	20	8
		3	15	8
		4	20	8
		5	235	60
		5	256	12
		5	277	18
		5	311	48
		5	330	30
		5	378	2
		5	480	4
		5	714	4
		7	360	27
		7	560	14
		7	644	6
		8	415	60
		8	490	24
		8	550	6
		8	585	48
		8	625	20
		8	680	50
8	760	78		
8	815	6		
HL79-8		1	184	18
		1	256	9
		1	401	14
		1	405	4
		1	446	18
		7	216	18
		7	320	9
		7	472	14
HL82-8APBW		7	504	16
		7	548	4
HL87-6		7	508	2
		5	653	6
HL87DUW6		5	686	6
		8	875	6
HL87DU6		8	930	6
		6	50	6
HL97KG6		6	105	6
		2	185	1
		3	155	1
		4	180	1

78-31-45

 ILLUSTRATED PARTS LIST
 01.1 Page 1028
 Jul 01/05

PART NUMBER	AIRLINE PART NO.	FIG.	ITEM	TTL REQ
HL97PB6		2	185	1
		3	155	1
		4	180	1
HST11AG5-5		8	385	12
		8	640	10
		8	390	12
HST79-5		8	645	10
		8	390	12
HST79CY5		8	645	10
		8	390	12
H01-08BAC		1	404	4
		1	61	6
		5	25	9
		5	126	32
		5	151	10
		5	202	12
		5	302	12
		5	342	40
		5	372	86
		7	60	6
		8	165	9
		8	215	32
H01-4BAC		8	250	10
		8	345	12
		8	570	12
		8	715	75
		8	745	46
		1	374	14
		1	554	6
		7	712	6
		1	554	6
		7	712	6
		7	484	14
		H52732-4CM		9
10	95			1
11	120			1
2	160A			1
3	125A			1
KDJ4-126		4	160A	1
		2	95	4
		3	70	4
KFN600-3		4	95	4
		2	95	4
		3	70	4
KFN600-3S		4	95	4
		2	95	4
		3	70	4

78-31-45

PART NUMBER	AIRLINE PART NO.	FIG.	ITEM	TTL REQ	
KJB229504B		5	656	6	
		5	689	12	
		6	55A	12	
		6	110A	6	
		8	880	6	
		8	935	12	
KJB232504B		2	160	1	
		3	125	1	
		4	160	1	
		80	1	RF	
KMB6-29 L800-6-6		7	640	4	
		8	580	12	
L8006K6		8	670	10	
		1	515	4	
		2	175	1	
		3	145	1	
		4	170	1	
		5	308	12	
		7	640	4	
		8	580	12	
L801-6K17		8	670	10	
		9	95	4	
		10	70	4	
		11	95	4	
	L801-6K18		9	20	3
			9	60	3
		10	10	3	
		10	40	3	
		11	20	3	
L801-6K5		11	60	3	
		5	708	2	
		8	615	10	
L801-6K6		5	647	6	
		5	680	6	
		6	45	6	
		6	100	6	
		8	865	6	
		8	920	6	

78-31-45

 ILLUSTRATED PARTS LIST
 01.1 Page 1030
 Jul 01/05

PART NUMBER	AIRLINE PART NO.	FIG.	ITEM	TTL REQ
L803-10K14		7	564	6
L803-10K15		1	458	6
L803-5K4		5	61	4
		5	79	16
		5	91	4
		8	30	4
		8	70	16
		8	100	4
L803-6-5		5	223	12
		5	477	2
		5	711	2
		8	395	12
		8	620	10
		8	805	4
L803-6K11		1	449	12
		7	552	12
L803-6K13		1	452	2
		7	556	2
L803-8K11		1	440	4
L803-8K13		1	443	4
		7	544	4
L803-8K7		1	434	6
		7	464	6
L803-8K8		1	437	4
		7	468	8
L804-5K14		1	211	12
L804-5K14		7	256	12
L804-6K18		2	15	4
		2	90	4
		3	10	4
		3	65	4
		4	15	4
		4	90	4

78-31-45

ILLUSTRATED PARTS LIST
01.1 Page 1031
Jul 01/05

PART NUMBER	AIRLINE PART NO.	FIG.	ITEM	TTL REQ
L804-6K4		1	284	27
		7	356	27
L804-6K5		2	10	4
		3	5	4
		4	10	4
L804-6K6		5	375	2
		8	750	2
L804-8K16		1	181	6
		7	208	6
L804-8K17		1	182	8
		1	386A	2
		1	395	10
		7	212	8
		7	488	12
L804-8K18		1	178	4
		1	392	2
		7	204	4
		7	496	2
L804-8K19		1	180	2
		1	386	2
L804-8K22		1	389A	2
		1	398	2
		7	492	2
		7	500	2
L804-8K24		1	389	2
L804-8K7		1	250	9
		7	316	9
L839-5-4		5	390	16
		8	780	16
MS21209F7-10P		1	232	3
		7	292	3
MS21209F8-10		1	223	1
		1	228A	1
		7	272	1
MS21209F8-10L		1	228	1
MODREF101849		1	6X	RF
		7	5P	RF

78-31-45

 ILLUSTRATED PARTS LIST
 01.1 Page 1032
 Jul 01/05

PART NUMBER	AIRLINE PART NO.	FIG.	ITEM	TTL REQ
MODREF101850		1	2X	RF
		7	2Q	RF
MODREF101851		1	6S	RF
		7	5J	RF
MODREF101852		1	2S	RF
		7	2K	RF
MODREF120309		1	2D	RF
		7	1X	RF
MODREF120310		1	6D	RF
		7	4W	RF
MODREF120311		1	2G	RF
		7	2	RF
MODREF120312		1	6G	RF
		7	4Z	RF
MODREF120313		1	2K	RF
		7	2C	RF
MODREF120314		1	6K	RF
		7	5B	RF
MODREF120315		1	2N	RF
		7	2F	RF
MODREF120316		1	6N	RF
		7	5E	RF
MODREF135571		1	2T	RF
		7	2L	RF
MODREF135572		1	6T	RF
		7	5K	RF
MODREF135573		1	2Y	RF
		7	2R	RF
MODREF135574		1	6Y	RF
		7	5Q	RF
MODREF172208		1	2E	RF
		7	1Y	RF
MODREF172209		1	6E	RF
		7	4X	RF
MODREF172210		1	2H	RF
		7	2A	RF
MODREF172211		1	6H	RF
		7	5	RF
MODREF172212		1	2L	RF
		7	2D	RF
MODREF172213		1	6L	RF
		7	5C	RF

78-31-45

PART NUMBER	AIRLINE PART NO.	FIG.	ITEM	TTL REQ
MODREF172214		1	2P	RF
		7	2G	RF
MODREF172215		1	6P	RF
MODREF172215		7	5F	RF
MODREF172313		1	2U	RF
		7	2M	RF
MODREF172314		1	6U	RF
		7	5L	RF
MODREF172315		1	2Z	RF
		7	2S	RF
MODREF172316		1	6Z	RF
		7	5R	RF
MODREF193574		1	2V	RF
		7	2N	RF
MODREF193575		1	6V	RF
		7	5M	RF
MODREF193576		1	3	RF
		7	2T	RF
MODREF193577		1	4Z	RF
		7	5S	RF
MODREF193622		1	2F	RF
		7	1Z	RF
MODREF193623		1	6F	RF
		7	4Y	RF
MODREF193624		1	2J	RF
		7	2B	RF
MODREF193625		1	6J	RF
		7	5A	RF
MODREF193626		1	2M	RF
		7	2E	RF
MODREF193627		1	6M	RF
		7	5D	RF
MODREF193628		1	2Q	RF
		7	2H	RF
MODREF193629		1	6Q	RF
		7	5G	RF

78-31-45

 ILLUSTRATED PARTS LIST
 01.1 Page 1034
 Jul 01/05

PART NUMBER	AIRLINE PART NO.	FIG.	ITEM	TTL REQ
MODREF209087		1	3A	RF
		7	2U	RF
MODREF209088		1	4T	RF
		7	5T	RF
MODREF209089		1	3B	RF
		7	2V	RF
MODREF209090		1	4U	RF
		7	5U	RF
MODREF209091		1	3C	RF
		7	2W	RF
MODREF209092		1	4V	RF
		7	5V	RF
MODREF209093		1	3D	RF
		7	2X	RF
MODREF209094		1	4W	RF
		7	5W	RF
MODREF209133		1	3E	RF
		7	2Y	RF
MODREF209134		1	4X	RF
		7	5X	RF
MODREF209135		1	3F	RF
		7	2Z	RF
MODREF209136		1	4Y	RF
		7	5Y	RF
MODREF61395		1	2R	RF
		7	2J	RF
MODREF61396		1	6R	RF
		7	5H	RF
MODREF61397		1	2W	RF
		7	2P	RF
MODREF61398		1	6W	RF
		7	5N	RF
NAS1149E0432R		9	115	1
		10	90	1
		11	115	1

78-31-45

PART NUMBER	AIRLINE PART NO.	FIG.	ITEM	TTL REQ
NAS1149E0463P		7	480	14
NAS1149E0632R		9	112	1
		10	87	1
		11	112	1
NAS1149F0332P		7	56	6
		7	100	4
		7	140	6
NAS1149F0663P		7	708	6
NAS1399D3A		8	305	2
		8	320	2
NAS1399D5		8	50	70
		8	65	60
NAS1399D5-2		5	70A	85
		5	76	64
		5	139A	1
		8	230	1
NAS1399D5-3		5	13B	4
		5	49A	6
		5	58A	13
		5	88A	12
		5	100A	7
		5	115B	16
NAS1399D5-3		5	134	1
		5	136B	4
		8	10	6
		8	25	11
		8	95	11
		8	120	6
		8	145	4
		8	195	16
		8	225	1
		8	235	4

78-31-45

 ILLUSTRATED PARTS LIST
 01.1 Page 1036
 Jul 01/05

PART NUMBER	AIRLINE PART NO.	FIG.	ITEM	TTL REQ	
NAS1399D5-4		5	10A	3	
		5	65	4	
		5	83	16	
		5	95	4	
		8	40	4	
		8	80	16	
		8	110	4	
		8	140	3	
	NAS1805-3		1	100	2
			1	133	4
NAS1805-3L		7	104	4	
		7	144	4	
NAS1805-4		1	578	12	
		7	744	12	
NAS1805-4N		2	150	1	
		3	100	1	
		4	150	1	
		1	428	4	
NAS1835C4P		7	524	4	
		7	28A	38	
NAS6603-6 NAS6704U18		1	572	12	
		7	736	12	
NS103185SE02		8	700	45	
		8	845	12	
		7	336	3	
NS103185SE048		7	400	1	
		1	523D	3	
		1	533	3	
NS103203-02		7	664	3	
		7	688	3	
	NS103203SE02		1	602	12
			5	354	45
		5	507	2	
NS103203SE02		5	519	10	
		5	531	4	
		5	543	5	
		5	567	2	
		5	579	2	
		5	591	5	
		5	603	4	
		5	618	2	
		7	780	12	
		8	695	45	

78-31-45

PART NUMBER	AIRLINE PART NO.	FIG.	ITEM	TTL REQ
NS103203SE048		1	302	12
		1	320	11
		7	380	12
		7	396	11
		7	400A	1
NS202101SE02		1	61	6
		5	25	9
		5	126	32
		5	151	10
		5	202	12
		5	302	12
		5	342	40
		5	372	86
		7	60	6
		8	165	9
		8	215	32
		8	250	10
		8	345	12
		8	570	12
		8	715	75
	8	745	46	
NS202101SE82		1	404	4
NS202484-02		1	13	2
		7	12	2
PLH54CM		7	484	14
		9	120	1
		10	95	1
		11	120	1
P21620		2	60	2
		3	45	2
		4	60	2
		9	35	1
		9	75	1
		10	25	1

78-31-45

 ILLUSTRATED PARTS LIST
 01.1 Page 1038
 Jul 01/05

PART NUMBER	AIRLINE PART NO.	FIG.	ITEM	TTL REQ
P21620		10	55	1
		11	35	1
		11	75	1
		81	1	RF
P21621		81	5	1
P21630		1	563A	6
		7	724A	6
		80	1B	RF
P21631		80	5A	1
RMF9201-3		1	523D	3
		1	533	3
		7	664	3
		7	688	3
		1	317	24
RV541A3-5		7	392	24
		1	554	6
SL705096		7	712	6
		1	554	6
SL7059C624		7	712	6
		9	35	1
S302T001-301		9	75	1
		10	25	1
		10	55	1
		11	35	1
		11	75	1
		2	60	2
		3	45	2
		4	60	2
		81	1	RF
		81	5	1
S302T001-301B		1	563	6
S302T001-302		7	724	6
		80	1	RF
		1	563	6
S302T001-302A		7	724	6
S302T001-302A		80	1	RF

78-31-45

ILLUSTRATED PARTS LIST
01.1 Page 1039
Jul 01/05

PART NUMBER	AIRLINE PART NO.	FIG.	ITEM	TTL REQ
S302T001-302B		80	5	1
S315T310-10		1	593R	1
S315T310-18		1	587L	1
		7	760A	4
S315T310-19		1	581L	1
		7	752A	1
S315T310-20		1	584L	1
		7	756A	1
S315T310-21		1	590L	1
		7	764A	1
S315T310-22		1	593L	1
		7	768A	1
S315T310-23		1	587Q	4
		7	760B	4
S315T310-24		1	581Q	1
		7	752B	1
S315T310-25		1	584Q	1
		7	756B	1
S315T310-26		1	590Q	1
		7	764B	1
S315T310-27		1	593Q	1
		7	768C	1
S315T310-6		1	587R	4
		1	587S	1
S315T310-7		1	581R	1
S315T310-8		1	584R	1
S315T310-9		1	590R	1
T6C1032JM		1	61	6
		5	25	9
		5	126	32
		5	151	10
		5	202	12
		5	302	12
		5	342	40
		5	372	86
		7	60	6
		8	165	9
		8	215	32
		8	250	10
		8	345	12
		8	570	12
		8	715	75
		8	745	46

78-31-45

 ILLUSTRATED PARTS LIST
 01.1 Page 1040
 Jul 01/05

PART NUMBER	AIRLINE PART NO.	FIG.	ITEM	TTL REQ
T6C428JM		1	374	14
T6C832JM		1	404	4
T8091S1032		1	523D	3
		1	533	3
		7	664	3
		7	688	3
T8092C1032		1	602	12
		5	354	45
		5	507	2
		5	519	10
		5	531	4
		5	543	5
		5	567	2
		5	579	2
		5	591	5
T8092C1032		5	603	4
		5	618	2
		7	780	12
		8	695	45
T8092C428		1	302	12
		1	320	11
		7	380	12
		7	396	11
		7	400A	1
T8113C1032C		5	357	35
		5	426	10
		5	447	4
		5	456	8
		8	700	45
		8	845	12
T8113C428C		1	265A	3
		1	323	1
		7	336	3
		7	400	1
USB4-136		2	60B	2
		3	45B	2
		4	60B	2
		81	1A	RF

78-31-45

ILLUSTRATED PARTS LIST
01.1 Page 1041
Jul 01/05

PART NUMBER	AIRLINE PART NO.	FIG.	ITEM	TTL REQ
VN151D1-02		5	357	35
		5	426	10
		5	447	4
		5	456	8
		8	700	45
		8	845	12
VN151D1-048		1	265A	3
		1	323	1
		7	336	3
VN152A1-02		7	400	1
		1	523D	3
		1	533	3
		7	664	3
VN152D1-02		7	688	3
		1	602	12
		5	354	45
		5	507	2
		5	519	10
VN152D1-02		5	531	4
		5	543	5
		5	567	2
		5	579	2
		5	591	5
		5	603	4
		5	618	2
		7	780	12
VN152D1-048		8	695	45
		1	302	12
		1	320	11
		7	380	12
		7	396	11
		7	400A	1

78-31-45

 ILLUSTRATED PARTS LIST
 01.1 Page 1042
 Jul 01/05

PART NUMBER	AIRLINE PART NO.	FIG.	ITEM	TTL REQ	
VN303D02		1	61	6	
		5	25	9	
		5	126	32	
		5	151	10	
		5	202	12	
		5	302	12	
		5	342	40	
		5	372	86	
		7	60	6	
		8	165	9	
		8	215	32	
		8	250	10	
		8	345	12	
		8	570	12	
		8	715	75	
		8	745	46	
	VN303D048		1	374	14
	VN303D82		1	404	4
VTB04540		2	60	2	
		3	45	2	
		4	60	2	
		81	1	RF	
VTB04541		81	5	1	
VTB04542		81	10	1	
VTB04550		1	563	6	
		7	724	6	
		80	1	RF	
VTB04551		80	5	1	
VTB04552		80	10	1	
102F177-3		1	13	2	
		7	12	2	
109F9201-3		1	602	12	
		5	354	45	
		5	507	2	
		5	519	10	
109F9201-3		5	531	4	
		5	543	5	
		5	567	2	
		5	579	2	
		5	591	5	
		5	603	4	
		5	618	2	
		7	780	12	
		8	695	45	

78-31-45

PART NUMBER	AIRLINE PART NO.	FIG.	ITEM	TTL REQ
109F9201-4		1	302	12
		1	320	11
		7	380	12
		7	396	11
		7	400A	1
109F9207-3		5	357	35
		5	426	10
		5	447	4
		5	456	8
		8	700	45
109F9207-4		8	845	12
		1	265A	3
		1	323	1
		7	336	3
		7	400	1
109LH9031-6		1	554	6
		7	712	6
109LH90316		1	554	6
		7	712	6
109LH9075-3W		1	61	6
		5	25	9
		5	126	32
		5	151	10
		5	202	12
		5	302	12
		5	342	40
		5	372	86
		7	60	6
		8	165	9
		8	215	32
		8	250	10
		8	345	12
8	570	12		
8	715	75		
8	745	46		

78-31-45

 ILLUSTRATED PARTS LIST
 01.1 Page 1044
 Jul 01/05

PART NUMBER	AIRLINE PART NO.	FIG.	ITEM	TTL REQ
109LH9075-4W		1	374	14
109LH9075-82W		1	404	4
2ASPPDPT06-13		1	73A	6
		7	72	6
2ASPPSDT06		1	76A	6
		7	76	6
2MAFFFDPT08-17		1	360	18
21-0001-01		1	587R	4
		1	587S	1
21-1001-01		1	581R	1
21-1001-02		1	584R	1
21-2001-01		1	590R	1
21-2001-02		1	593R	1
212-0001-01		1	587L	1
		7	760A	4
212-0301-01		1	587Q	4
		7	760B	4
212-1001-01		1	581L	1
		7	752A	1
212-1001-02		1	584L	1
		7	756A	1
212-1301-01		1	581Q	1
		7	752B	1
212-1301-02		1	584Q	1
		7	756B	1
212-2001-01		1	590L	1
		7	764A	1
212-2001-02		1	593L	1
		7	768A	1
212-2301-01		1	590Q	1
		7	764B	1
212-2301-02		1	593Q	1
		7	768C	1
315T3158-1		5	265	5
		5	270	4
		8	450	5
		8	465	4

78-31-45

ILLUSTRATED PARTS LIST
01.1 Page 1045
Jul 01/05

PART NUMBER	AIRLINE PART NO.	FIG.	ITEM	TTL REQ
315T3158-2		5	267	5
		5	268	4
		8	455	5
315T3158-3		8	460	4
		5	264	2
		5	273	1
315T3158-4		8	445	2
		8	470A	1
		5	262	2
315T3158-5		5	271	1
		8	440	2
		8	475A	1
315T3158-6		5	286	5
		5	290	4
		8	515	5
315T3158-7		8	530	4
		5	287	5
		5	289	4
315T3158-8		8	520	5
		8	525	4
		5	284	2
315T3158-9		5	292	1
		8	510	2
		8	535	1
315T3500-11		5	283	2
		5	293	1
		8	505	2
315T3500-3		8	540	1
		5	280	12
		8	500	12
315T3500-5		1	431	2
		7	540A	2
		1	419	2
315T3500-5		1	521	2
		7	648	2

78-31-45

 ILLUSTRATED PARTS LIST
 01.1 Page 1046
 Jul 01/05

PART NUMBER	AIRLINE PART NO.	FIG.	ITEM	TTL REQ
315T3501-13		1	617	1
		5	1	RF
315T3501-14		1	620	1
		5	3	RF
315T3501-15		5	702	1
		6	1	RF
315T3501-16		5	705	1
		6	5	RF
315T3501-27		1	617A	1
		5	1A	RF
315T3501-28		1	620A	1
		5	3A	RF
315T3501-31		5	435	5
315T3501-32		5	438	1
315T3501-33		5	432	6
315T3501-35		7	808	1
		8	1A	RF
315T3501-36		7	812	1
		8	5	RF
315T3501-39		8	1E	RF
315T3501-40		8	5D	RF
315T3501-41		8	1F	RF
315T3501-42		8	5E	RF
315T3501-43		8	1G	RF
315T3501-44		8	5F	RF
315T3501-45		8	1H	RF
315T3501-46		8	5G	RF
315T3501-47		8	1C	RF
315T3501-48		8	5B	RF
315T3501-49		8	1D	RF
315T3501-50		8	5C	RF
315T3501-5001		5	5	1
315T3501-5002		5	7	1
315T3501-5003		5	5A	1
315T3501-5004		5	7A	1
315T3501-5005		6	10	1
315T3501-5006		6	15	1
315T3501-5007		6	10A	1
315T3501-5008		6	15A	1
315T3501-5027		5	5B	1
315T3501-5028		5	7B	1
315T3501-5029		5	5C	1

78-31-45

ILLUSTRATED PARTS LIST
01.1 Page 1047
Jul 01/05

PART NUMBER	AIRLINE PART NO.	FIG.	ITEM	TTL REQ
315T3501-5030		5	7C	1
315T3501-5033		5	5D	1
315T3501-5034		5	7D	1
315T3501-5035		5	5E	1
315T3501-5036		5	7E	1
315T3501-5037		5	5F	1
315T3501-5038		5	7F	1
315T3501-5039		6	10B	1
315T3501-5040		6	15B	1
315T3501-5043		6	10D	1
315T3501-5044		6	15D	1
315T3501-5049		5	5G	1
315T3501-5050		5	7G	1
315T3501-5051		6	10E	1
315T3501-5052		6	15E	1
315T3501-5053		6	10F	1
315T3501-5054		6	15F	1
315T3501-5057		5	5H	1
315T3501-5058		5	7H	1
315T3501-5059		5	5J	1
315T3501-5060		5	7J	1
315T3501-5061		6	10G	1
315T3501-5062		6	15G	1
315T3501-5063		5	5K	1
315T3501-5064		5	7K	1
315T3501-5065		5	5L	1
315T3501-5066		5	7L	1
315T3501-5067		5	5M	1
315T3501-5068		5	7M	1
315T3501-9		5	414	5
315T3504-3		1	16	1
315T3504-4		1	19	1
315T3504-5		1	22	1
315T3504-7		1	16A	1
		7	16	1
315T3504-8		1	19A	1
		7	20	1
315T3504-9		1	22A	1
315T3504-9		7	24	1
315T3505-1		1	491	1
315T3505-13		1	479	1
315T3505-14		1	476	1
315T3505-15		1	479A	1
315T3505-16		1	476A	1
315T3505-17		1	491A	1

78-31-45

 ILLUSTRATED PARTS LIST
 01.1 Page 1048
 Jul 01/05

PART NUMBER	AIRLINE PART NO.	FIG.	ITEM	TTL REQ
315T3505-18		1	494A	1
315T3505-19		1	488A	1
		1	506A	1
315T3505-2		1	494	1
315T3505-20		1	485A	1
		1	509A	1
315T3505-23		1	479B	1
315T3505-24		1	476B	1
315T3505-25		1	488B	1
		1	506B	1
315T3505-26		1	485B	1
		1	509B	1
315T3505-27		1	491B	1
315T3505-28		1	494B	1
315T3505-29		1	479C	1
315T3505-3		1	488	1
		1	506	1
315T3505-30		1	476C	1
315T3505-31		1	491C	1
315T3505-32		1	494C	1
315T3505-33		1	488C	1
		1	506C	1
315T3505-34		1	485C	1
		1	509C	1
315T3505-35		1	491D	1
		7	608	1
315T3505-36		1	494D	1
		7	612	1
315T3505-37		1	476D	1
		7	588	1
315T3505-38		1	479D	1
		7	592	1
315T3505-39		1	488D	1
		1	506D	1
		7	604	1
		7	628	1

78-31-45

ILLUSTRATED PARTS LIST
01.1 Page 1049
Jul 01/05

PART NUMBER	AIRLINE PART NO.	FIG.	ITEM	TTL REQ
315T3505-4		1	485	1
		1	509	1
315T3505-40		1	485D	1
		1	509D	1
		7	600	1
		7	632	1
315T3505-9		1	482	1
		1	497	1
		7	596	1
		7	616	1
315T3506-33		1	151	1
315T3506-34		1	118	1
315T3506-35		1	109	1
315T3506-36		1	106	1
315T3506-37		1	112	1
315T3506-38		1	115	1
315T3506-39		1	139	1
315T3506-40		1	142	1
315T3506-41		1	145	1
315T3506-42		1	148	1
315T3506-43		1	109A	1
315T3506-44		1	106A	1
315T3506-45		1	112A	1
315T3506-46		1	115A	1
315T3506-47		1	109B	1
		7	116	1
315T3506-48		1	106B	1
		7	112	1
315T3506-49		1	118A	1
		7	128	1
315T3506-50		1	151A	1
		7	168	1

78-31-45

 ILLUSTRATED PARTS LIST
 01.1 Page 1050
 Jul 01/05

PART NUMBER	AIRLINE PART NO.	FIG.	ITEM	TTL REQ
315T3506-51		1	139A	1
		7	152	1
315T3506-52		1	142A	1
		7	156	1
315T3506-53		1	112B	1
		7	124	1
315T3506-54		1	115B	1
315T3506-54		7	120	1
315T3506-55		1	145A	1
		7	160	1
315T3506-56		1	148A	1
		7	164	1
315T3507-68		3	95	1
315T3507-72		1	587	4
		3	1	RF
315T3507-73		1	587E	4
		1	587J	1
		3	1A	RF
315T3507-74		1	587G	4
		3	1C	RF
		7	760	4
315T3507-75		3	95A	1
315T3508-151		2	120	1
315T3508-152		2	125	1
315T3508-159		1	581	1
		2	1	RF
315T3508-160		1	584	1
		2	5	RF
315T3508-161		1	581E	1
		2	1A	RF
315T3508-162		1	584E	1
		2	5A	RF
315T3508-165		1	581G	1
		2	1C	RF
		7	752	1
315T3508-166		1	584G	1
315T3508-166		2	5C	RF
		7	756	1
315T3508-167		2	120A	1
315T3508-168		2	125A	1

78-31-45

ILLUSTRATED PARTS LIST
01.1 Page 1051
Jul 01/05

PART NUMBER	AIRLINE PART NO.	FIG.	ITEM	TTL REQ
315T3509-103		4	120	1
315T3509-104		4	125	1
315T3509-111		1	590	1
		4	1	RF
315T3509-112		1	593	1
		4	5	RF
315T3509-113		1	590E	1
		4	1A	RF
315T3509-114		1	593E	1
		4	5A	RF
315T3509-117		1	590G	1
		4	1C	RF
		7	764	1
315T3509-118		1	593G	1
		4	5C	RF
		7	768	1
315T3509-119		4	120A	1
315T3509-120		4	125A	1
315T3511-3		1	560	6
315T3511-4		1	569	6
		7	732	6
315T3511-5		1	560A	6
		7	720	6
315T3517-1		1	566	12
		7	728	12
315T3518-1		1	614A	5
		7	804	5
315T3519-5		1	202	1
		7	244	1
315T3519-6		1	199	1
		7	240	1
315T3520-10		1	205A	1
		7	248	1
315T3520-9		1	208A	1
		7	252	1
315T3521-14		1	614	5
315T3522-25		6	20	5
315T3522-26		6	75	5
315T3522-27		6	25	1
315T3522-28		6	80	1
315T3522-29		6	65	5
315T3522-30		6	125	5
315T3522-31		6	70	1
315T3522-32		6	130	1
315T3522-33		6	20B	5

78-31-45

 ILLUSTRATED PARTS LIST
 01.1 Page 1052
 Jul 01/05

PART NUMBER	AIRLINE PART NO.	FIG.	ITEM	TTL REQ
315T3522-34		6	75B	5
315T3522-35		6	25A	1
315T3522-36		6	80A	1
315T3522-37		6	65A	5
315T3522-38		6	125A	5
315T3522-39		6	20A	5
315T3522-40		6	75A	5
315T3522-41		6	65B	5
315T3522-42		6	125B	5
315T3522-43		6	20C	5
315T3522-44		6	75C	5
315T3522-45		6	70A	1
315T3522-46		6	130A	1
315T3522-47		6	25B	1
315T3522-48		6	80B	1
315T3522-53		5	671	5
		6	20E	5
		8	905	5
315T3522-54		5	641	5
315T3522-54		6	75E	5
		8	855	5
315T3522-55		5	674	1
		6	25D	1
		8	910	1
315T3522-56		5	638	1
		6	80D	1
		8	850	1
315T3522-57		5	695	5
		6	65C	5
		8	945	5
315T3522-58		5	668	5
		6	125C	5
		8	900	5

78-31-45

ILLUSTRATED PARTS LIST
01.1 Page 1053
Jul 01/05

PART NUMBER	AIRLINE PART NO.	FIG.	ITEM	TTL REQ
315T3522-59		5	698	1
		6	70B	1
		8	950	1
315T3522-60		5	665	1
		6	130B	1
		8	895	1
315T3523-41		5	384	1
		8	770	1
315T3523-42		5	387	1
		8	775	1
315T3523-45		5	396	1
		8	790	1
315T3523-46		5	399	1
		8	795	1
315T3523-47		5	402	1
		8	800	1
315T3524-1		5	420	1
315T3524-2		5	417	1
315T3524-5		5	420A	1
315T3524-6		5	417A	1
315T3524-7		5	420C	1
315T3524-8		8	835	1
		5	417C	1
		8	830	1
315T3525-1		5	405A	1
		8	820	1
315T3525-2		5	408A	1
		8	825	1
315T3526-1		5	317	6
315T3526-10		5	106	1
315T3526-11		5	52	1
315T3526-12		5	55	1
315T3526-13		5	73	5

78-31-45

 ILLUSTRATED PARTS LIST
 01.1 Page 1054
 Jul 01/05

PART NUMBER	AIRLINE PART NO.	FIG.	ITEM	TTL REQ
315T3526-14		5	85	4
315T3526-15		5	244	5
		8	430	5
315T3526-16		5	247	5
		8	425	5
315T3526-17		5	184	1
		8	300	1
315T3526-18		5	205	12
315T3526-2		5	314	6
315T3526-21		5	238	1
		8	420	1
315T3526-22		5	241	1
		8	435	1
315T3526-23		5	214	6
		8	365	6
315T3526-24		5	217	6
		8	370	6
315T3526-25		5	259	3
		8	555	3
315T3526-26		5	169	1
315T3526-29		5	190	1
315T3526-30		5	193	1
315T3526-31		5	172	1
		8	310	1
315T3526-32		5	175	1
		8	315	1
315T3526-33		5	522	10
		5	534	4
		5	606	4
315T3526-34		5	513	10
315T3526-35		5	525	4
315T3526-36		5	597	4
315T3526-37		5	561	1
315T3526-38		5	573	1
315T3526-39		5	537	5
315T3526-40		5	585	5
315T3526-41		5	495	2
315T3526-47		5	546	5
315T3526-48		5	594	5

78-31-45

ILLUSTRATED PARTS LIST
01.1 Page 1055
Jul 01/05

PART NUMBER	AIRLINE PART NO.	FIG.	ITEM	TTL REQ
315T3526-49		5	510	2
315T3526-5		5	322	5
		8	605	5
315T3526-50		5	570	1
		5	582	1
315T3526-57		5	621	1
315T3526-58		5	609	1
315T3526-59		5	67A	1
315T3526-6		5	324	5
		8	610	5
315T3526-60		5	97A	1
315T3526-61		5	103A	1
315T3526-62		5	106A	1
315T3526-63		5	52A	1
315T3526-64		5	55A	1
315T3526-65		5	73A	5
		8	55	5
315T3526-66		5	85A	4
		8	85	4
315T3526-67		5	549	1
315T3526-68		5	483	1
315T3526-69		5	537B	5
315T3526-7		5	67	1
315T3526-70		5	585B	5
315T3526-71		5	546A	5
315T3526-72		5	594A	5
315T3526-73		5	169A	1
315T3526-75		5	67B	1
		8	115A	1
315T3526-76		5	97B	1
		8	45A	1
315T3526-77		5	103B	1
315T3526-78		5	106B	1
		8	20	1
315T3526-79		5	52B	1
		8	15	1
315T3526-8		5	97	1
315T3526-80		5	55B	1
315T3526-81		5	205A	12
		8	350	12
315T3526-83		5	190A	1
		8	325	1

78-31-45

 ILLUSTRATED PARTS LIST
 01.1 Page 1056
 Jul 01/05

PART NUMBER	AIRLINE PART NO.	FIG.	ITEM	TTL REQ
315T3526-84		5	193A	1
315T3526-84		8	330	1
315T3526-85		5	317A	6
		8	595	6
315T3526-86		5	314A	6
		8	590	6
315T3526-87		5	169B	1
		8	280	1
315T3526-88		5	170	1
		8	285	1
315T3526-89		5	537D	5
		8	655	5
315T3526-9		5	103	1
315T3526-90		5	585D	5
		8	660	5
315T3526-91		5	103C	1
		8	125	1
315T3526-92		5	106C	1
		8	130	1
315T3527-1		5	348	5
		8	720	5
315T3550-1		5	128	4
315T3550-10		5	162	1
315T3550-11		5	37	1
315T3550-12		5	40	1
315T3550-13		5	158	1
315T3550-14		5	130	4
315T3550-15		5	131	4
315T3550-2		5	112	5
315T3550-3		5	31	1
315T3550-4		5	34	1
315T3550-5		5	154	1

78-31-45

ILLUSTRATED PARTS LIST
01.1 Page 1057
Jul 01/05

PART NUMBER	AIRLINE PART NO.	FIG.	ITEM	TTL REQ
315T3550-6		5	156	1
315T3550-7		5	43	1
315T3550-8		5	46	1
315T3550-9		5	160	1
315T3556-5		1	503	1
		7	624	1
315T3557-1		1	603	12
		7	784	12
315T3557-2		1	604	12
		7	784H	12
315T3557-3		1	604M	12
		7	784R	12
315T3557-4		1	608	15
		7	785	12
315T3557-4		7	796	15
315T3557-5		1	611	15
		7	786	12
		7	800	15
315T3561-6		1	268	3
		7	340	3
315T3561-7		1	277	3
		7	352	3
315T3561-8		1	268A	3
		7	340A	3
315T3561-9		1	277A	3
		7	352A	3
315T3562-13		1	172A	1
315T3562-14		1	175A	1
315T3562-15		1	198	18
		7	236A	18
315T3562-17		1	172B	1
315T3562-18		1	175B	1
315T3562-19		1	172C	1
		7	196	1
315T3562-20		1	175C	1
		7	200	1

78-31-45

 ILLUSTRATED PARTS LIST
 01.1 Page 1058
 Jul 01/05

PART NUMBER	AIRLINE PART NO.	FIG.	ITEM	TTL REQ
315T3562-21		1	198B	18
		7	236	18
315T3562-22		7	286	1
315T3562-23		7	196A	1
315T3562-24		7	200A	1
315T3562-27		7	196B	1
315T3562-28		7	200B	1
315T3562-3		1	259	3
		7	324	3
315T3562-4		1	247	3
		7	312	3
315T3562-5		1	293	3
		7	368	3
315T3562-5009		1	306	1
315T3562-5010		1	307	1
315T3562-5011		1	306A	1
315T3562-5012		1	307A	1
315T3563-4		1	67	3
		7	68	3
315T3563-5		1	82	3
		7	84	3
315T3563-6		1	85	3
315T3563-6		7	88	3
315T3564-27		1	326A	1
315T3564-28		1	329A	1
315T3564-31		1	326B	1
315T3564-32		1	329B	1
315T3564-33		1	326C	1
315T3564-34		1	329C	1
315T3564-35		1	326D	1
315T3564-36		1	329D	1
315T3564-41		1	326E	1
		7	404	1
315T3564-42		1	329E	1
		7	408	1
315T3564-43		7	404A	1

78-31-45

PART NUMBER	AIRLINE PART NO.	FIG.	ITEM	TTL REQ
315T3564-44		7	408A	1
315T3565-1		1	229	3
		7	288	3
315T3565-2		1	235	3
		7	296	3
315T3566-1		1	296	3
		7	372	3
315T3566-2		1	305	3
		7	384	3
315T3567-3		1	217	4
		7	264	4
315T3572-11		1	542A	1
315T3572-12		1	545A	1
315T3574-1		1	220	1
315T3574-2		1	226	1
315T3574-3		1	220A	1
		7	268	1
315T3574-4		1	226A	1
		7	276	1
315T3574-5		7	268B	1
315T3574-6		7	276A	1
315T3575-1		1	308	3
315T3575-2		1	314	3
315T3575-3		1	311	3
315T3575-6		1	315A	3
		1	316Q	3
		7	388	3
315T3580-11		2	45	1
		3	40	1
		4	50	1
315T3580-12		2	40	1
315T3580-12		3	35	1
		4	55	1
315T3580-13		2	70	1
		3	55	1
		4	75	1
315T3580-14		2	65	1
		3	50	1
		4	80	1
315T3580-15		2	45A	1
		3	40A	1
		4	50A	1
315T3580-16		2	40A	1
		3	35A	1
		4	55A	1

78-31-45

 ILLUSTRATED PARTS LIST
 01.1 Page 1060
 Jul 01/05

PART NUMBER	AIRLINE PART NO.	FIG.	ITEM	TTL REQ
315T3580-17		2	70A	1
		3	55A	1
		4	75A	1
315T3580-18		2	65A	1
		3	50A	1
		4	80A	1
315T3581-10		2	105	1
		3	80	1
		4	105	1
315T3581-13		2	85	1
		3	60	1
		4	85	1
315T3581-4		2	100	1
		3	75	1
		4	100	1
315T3583-2		2	155	1
		3	133	1
		4	155	1
315T3584-11		2	50	1
		4	45	1
315T3584-12		2	55	1
		4	40	1
315T3584-13		2	75	1
		4	70	1
315T3584-14		2	80	1
		4	65	1
315T3584-15		2	50A	1
		4	45A	1
315T3584-16		2	55A	1
		4	40A	1
315T3584-17		2	75A	1
		4	70A	1
315T3584-18		2	80A	1
		4	65A	1
315T3584-19		2	50B	1
		4	45B	1

78-31-45

PART NUMBER	AIRLINE PART NO.	FIG.	ITEM	TTL REQ
315T3584-20		2	55B	1
		4	40B	1
315T3584-21		2	75B	1
		4	70B	1
315T3584-22		2	80B	1
		4	65B	1
315T3589-11		1	31	1
		7	36	1
315T3589-12		1	34	1
		7	40	1
315T3589-13		1	37	1
		7	44	1
315T3589-14		1	40	1
		7	48	1
315T3589-15		1	43	1
315T3589-16		1	46	1
315T3589-17		1	49	1
315T3589-18		1	52	1
315T3589-19		1	43A	1
315T3589-20		1	46A	1
315T3589-21		1	49A	1
315T3589-22		1	52A	1
315T3592-2		2	200	1
		3	165	1
		4	195	1
		2	170	1
315T3592-4		3	135	1
		4	165	1
		2	170A	1
		3	135A	1
315T3592-5		4	165A	1
		2	205	1
		3	170	1
		4	200	1
315T3592-6		2	205	1
		3	170	1
		4	200	1

78-31-45

 ILLUSTRATED PARTS LIST
 01.1 Page 1062
 Jul 01/05

PART NUMBER	AIRLINE PART NO.	FIG.	ITEM	TTL REQ
315T3593-3		2	165	1
		3	130	1
		4	163	1
315T3593-4		2	135	2
		3	105	2
		4	135	2
315T3593-5		1	557	12
		7	716	12
315T3593-7		2	165A	1
		3	130A	1
		4	163A	1
315T4026-11		1	2A	RF
315T4026-12		1	6A	RF
315T4026-13		1	2B	RF
315T4026-14		1	6B	RF
315T4026-15		1	2C	RF
315T4026-16		1	6C	RF
315T4027-1		1	221	1
315T4027-2		1	227	1
315T4027-3		1	228M	1
315T4027-4		1	224	1
315T4402-25		1	106D	1
		7	112A	1
315T4402-26		1	109D	1
		7	116A	1
315T4402-27		1	139C	1
		7	152A	1
315T4402-28		1	142C	1
		7	156A	1
315T4500-1		1	1	RF
315T4500-10		1	5B	RF
315T4500-11		1	431A	2
		7	540	2

78-31-45

ILLUSTRATED PARTS LIST
01.1 Page 1063
Jul 01/05

PART NUMBER	AIRLINE PART NO.	FIG.	ITEM	TTL REQ
315T4500-13		1	1C	RF
		7	1A	RF
315T4500-14		1	5C	RF
		7	4	RF
315T4500-15		1	1D	RF
		7	1B	RF
315T4500-16		1	5D	RF
		7	4A	RF
315T4500-17		1	1E	RF
		7	1C	RF
315T4500-18		1	5E	RF
		7	4B	RF
315T4500-2		1	5	RF
315T4500-21		1	1F	RF
		7	1D	RF
315T4500-22		1	5F	RF
		7	4C	RF
315T4500-23		1	1G	RF
		7	1E	RF
315T4500-24		1	5G	RF
		7	4D	RF
315T4500-25		1	1H	RF
		7	1F	RF
315T4500-26		1	5H	RF
		7	4E	RF
315T4500-27		1	1J	RF
		7	1G	RF
315T4500-28		1	5J	RF
		7	4F	RF
315T4500-29		1	1K	RF
		7	1H	RF
315T4500-3		1	407	2
315T4500-30		1	5K	RF
		7	4G	RF
315T4500-31		1	1L	RF
		7	1J	RF
315T4500-32		1	5L	RF
		7	4H	RF
315T4500-33		1	1M	RF
		7	1K	RF
315T4500-34		1	5M	RF
		7	4J	RF
315T4500-35		1	1N	RF
		7	1L	RF
315T4500-36		1	5N	RF
		7	4K	RF

78-31-45

 ILLUSTRATED PARTS LIST
 01.1 Page 1064
 Jul 01/05

PART NUMBER	AIRLINE PART NO.	FIG.	ITEM	TTL REQ
315T4500-37		1	1P	RF
		7	1M	RF
315T4500-38		1	5P	RF
		7	4L	RF
315T4500-39		1	1Q	RF
		7	1N	RF
315T4500-4		1	410	2
315T4500-40		1	5Q	RF
		7	4M	RF
315T4500-41		1	1R	RF
		7	1P	RF
315T4500-42		1	5R	RF
		7	4N	RF
315T4500-43		1	1S	RF
		7	1Q	RF
315T4500-44		1	5S	RF
		7	4P	RF
315T4500-45		1	1V	RF
		7	1R	RF
315T4500-45REVA		1	2D	RF
		7	1X	RF
315T4500-45REVB		1	2E	RF
		7	1Y	RF
315T4500-45REVC		1	2F	RF
		7	1Z	RF
315T4500-45REVD		1	3A	RF
		7	2U	RF
315T4500-46		1	5V	RF
		7	4Q	RF
315T4500-46REVA		1	6D	RF
		7	4W	RF
315T4500-46REVB		1	6E	RF
		7	4X	RF
315T4500-46REVC		1	6F	RF
		7	4Y	RF
315T4500-46REVD		1	4T	RF
		7	5T	RF
315T4500-47		1	1W	RF
		7	1S	RF
315T4500-47REVA		1	2G	RF
		7	2	RF
315T4500-47REVB		1	2H	RF
		7	2A	RF
315T4500-47REVC		1	2J	RF
		7	2B	RF
315T4500-47REVD		1	3B	RF
		7	2V	RF

78-31-45

ILLUSTRATED PARTS LIST
01.1 Page 1065
Jul 01/05

PART NUMBER	AIRLINE PART NO.	FIG.	ITEM	TTL REQ
315T4500-48		1	5W	RF
		7	4R	RF
315T4500-48REVA		1	6G	RF
		7	4Z	RF
315T4500-48REVB		1	6H	RF
		7	5	RF
315T4500-48REVC		1	6J	RF
315T4500-48REVC		7	5A	RF
315T4500-48REVD		1	4U	RF
		7	5U	RF
315T4500-49		1	1X	RF
		7	1T	RF
315T4500-49REVA		1	2K	RF
		7	2C	RF
315T4500-49REVB		1	2L	RF
		7	2D	RF
315T4500-49REVC		1	2M	RF
		7	2E	RF
315T4500-49REVD		1	3C	RF
		7	2W	RF
315T4500-5		1	413	2
		7	512	2
315T4500-50		1	5X	RF
		7	4S	RF
315T4500-50REVA		1	6K	RF
		7	5B	RF
315T4500-50REVB		1	6L	RF
		7	5C	RF
315T4500-50REVC		1	6M	RF
		7	5D	RF
315T4500-50REVD		1	4V	RF
		7	5V	RF
315T4500-5003		1	7A	1
315T4500-5004		1	8A	1
315T4500-5013		1	7C	1
315T4500-5014		1	8C	1
315T4500-5015		1	7D	1
315T4500-5016		1	8D	1
315T4500-5017		1	7E	1
315T4500-5018		1	8E	1
315T4500-5021		1	7G	1
315T4500-5022		1	8G	1
315T4500-5025		1	7J	1
315T4500-5026		1	8J	1
315T4500-5033		1	7L	1

78-31-45

 ILLUSTRATED PARTS LIST
 01.1 Page 1066
 Jul 01/05

PART NUMBER	AIRLINE PART NO.	FIG.	ITEM	TTL REQ
315T4500-5034		1	8L	1
315T4500-5035		1	7M	1
315T4500-5036		1	8M	1
315T4500-5037		1	7N	1
315T4500-5038		1	8N	1
315T4500-5041		1	7P	1
315T4500-5042		1	8P	1
315T4500-5043		1	7Q	1
315T4500-5044		1	8Q	1
315T4500-5045		1	7R	1
315T4500-5046		1	8R	1
315T4500-5049		1	7S	1
315T4500-5050		1	8S	1
315T4500-5051		1	7T	1
315T4500-5052		1	8T	1
315T4500-5053		1	7U	1
315T4500-5054		1	8U	1
315T4500-5055		1	7V	1
315T4500-5056		1	8V	1
315T4500-5057		1	7W	1
315T4500-5058		1	8W	1
315T4500-5059		1	7X	1
315T4500-5060		1	8X	1
315T4500-51		1	1Y	RF
		7	1U	RF
315T4500-51REVA		1	2N	RF
		7	2F	RF
315T4500-51REVB		1	2P	RF
		7	2G	RF
315T4500-51REVC		1	2Q	RF
		7	2H	RF

PART NUMBER	AIRLINE PART NO.	FIG.	ITEM	TTL REQ
315T4500-51REVD		1	3D	RF
		7	2X	RF
315T4500-52		1	5Y	RF
		7	4T	RF
315T4500-52REVA		1	6N	RF
		7	5E	RF
315T4500-52REVB		1	6P	RF
		7	5F	RF
315T4500-52REVC		1	6Q	RF
		7	5G	RF
315T4500-52REVD		1	4W	RF
		7	5W	RF
315T4500-53		1	1Z	RF
		7	1V	RF
315T4500-53REVA		1	2R	RF
		7	2J	RF
315T4500-53REVB		1	2S	RF
		7	2K	RF
315T4500-53REVC		1	2T	RF
		7	2L	RF
315T4500-53REVD		1	2U	RF
315T4500-53REVD		7	2M	RF
315T4500-53REVE		1	2V	RF
		7	2N	RF
315T4500-53REVF		1	3E	RF
		7	2Y	RF
315T4500-54		1	5Z	RF
		7	4U	RF
315T4500-54REVA		1	6R	RF
		7	5H	RF
315T4500-54REVB		1	6S	RF
		7	5J	RF
315T4500-54REVC		1	6T	RF
		7	5K	RF
315T4500-54REVD		1	6U	RF
		7	5L	RF

78-31-45

PART NUMBER	AIRLINE PART NO.	FIG.	ITEM	TTL REQ
315T4500-54REVE		1	6V	RF
		7	5M	RF
315T4500-54REVF		1	4X	RF
		7	5X	RF
315T4500-55		1	2	RF
		7	1W	RF
315T4500-55REVA		1	2W	RF
		7	2P	RF
315T4500-55REVB		1	2X	RF
		7	2Q	RF
315T4500-55REVC		1	2Y	RF
		7	2R	RF
315T4500-55REVD		1	2Z	RF
		7	2S	RF
315T4500-55REVE		1	3	RF
		7	2T	RF
315T4500-55REVF		1	3F	RF
		7	2Z	RF
315T4500-56		1	6	RF
		7	4V	RF
315T4500-56REVA		1	6W	RF
		7	5N	RF
315T4500-56REVB		1	6X	RF
		7	5P	RF
315T4500-56REVC		1	6Y	RF
		7	5Q	RF
315T4500-56REVD		1	6Z	RF
		7	5R	RF
315T4500-56REVE		1	4Z	RF
		7	5S	RF
315T4500-56REVF		1	4Y	RF
		7	5Y	RF
315T4500-7		1	1A	RF
315T4500-8		1	5A	RF
315T4500-9		1	1B	RF

78-31-45

ILLUSTRATED PARTS LIST
01.1 Page 1069
Jul 01/05

PART NUMBER	AIRLINE PART NO.	FIG.	ITEM	TTL REQ
315T4502-31		1	422A	1
315T4502-32		1	425A	1
315T4502-45		1	422B	1
315T4502-46		1	425B	1
315T4502-55		1	422C	1
		7	516	1
315T4502-56		1	425C	1
		7	520	1
315T4507-1		7	760C	4
		10	1A	RF
315T4507-3		7	760E	4
		10	1B	RF
315T4507-5		7	760G	4
		10	1C	RF
315T4508-1		7	752C	1
		9	1A	RF
315T4508-2		7	756C	1
		9	5	RF
315T4508-3		7	752E	1
		9	1B	RF
315T4508-4		7	756E	1
		9	5A	RF
315T4508-5		7	752G	1
		9	1C	RF
315T4508-6		7	756G	1
		9	5B	RF
315T4509-1		7	764C	1
		11	1A	RF
315T4509-2		7	768D	1
		11	5	RF
315T4509-3		7	764E	1
		11	1B	RF
315T4509-4		7	768F	1
		11	5A	RF
315T4509-5		7	764G	4
		11	1C	RF
315T4509-6		7	768H	4
		11	5B	RF
315T4510-1		10	150	1
315T4511-1		9	155	1
		10	130	1
		11	155	1

78-31-45

 ILLUSTRATED PARTS LIST
 01.1 Page 1070
 Jul 01/05

PART NUMBER	AIRLINE PART NO.	FIG.	ITEM	TTL REQ
315T4511-2		9	170	1
		10	145	1
		11	170	1
315T4511-5		9	155A	1
		10	130A	1
		11	155A	1
315T4511-6		9	170A	1
		10	145A	1
		11	170A	1
315T4513-1		9	165	1
		10	140	1
		11	165	1
315T4514-1		9	140	1
		10	115	1
		11	140	1
315T4514-2		9	150	1
		10	125	1
		11	150	1
315T4514-3		9	140A	1
		10	115A	1
		11	140B	1
315T4514-4		9	150A	1
		10	125A	1
		11	150A	1
315T4516-1		9	130	2
		10	105	2
		11	130	2
315T4517-1		9	135	1
		10	110	1
		11	135	1
315T4518-1		9	55	1
		10	5	1
		11	10	1
315T4518-2		9	50	1
		10	35	1
		11	15	1

78-31-45

ILLUSTRATED PARTS LIST
01.1 Page 1071
Jul 01/05

PART NUMBER	AIRLINE PART NO.	FIG.	ITEM	TTL REQ
315T4518-3		9	10	1
		11	55	1
315T4518-4		9	15	1
		11	50	1
315T4518-5		9	85	1
		10	30	1
315T4518-5		11	40	1
315T4518-6		9	80	1
		10	60	1
		11	45	1
315T4518-7		9	40	1
		11	85	1
315T4518-8		9	45	1
		11	80	1
315T4519-1		9	175	1
315T4519-10		9	180A	1
315T4519-2		9	180	1
315T4519-9		9	175A	1
315T4520-1		11	175	1
315T4520-2		11	180	1
315T4520-21		11	175A	1
315T4520-22		11	180A	1
315T4521-1		9	90	1
		10	65	1
		11	90	1
315T4521-2		9	90A	1
		10	65A	1
		11	90A	1
315T4521-3		9	90B	1
		10	65B	1
		11	90B	1
315T4532-2		1	579	6
		7	748	6

78-31-45

 ILLUSTRATED PARTS LIST
 01.1 Page 1072
 Jul 01/05

PART NUMBER	AIRLINE PART NO.	FIG.	ITEM	TTL REQ
315T4534-1		5	127	4
		8	220	4
315T4534-2		5	112A	5
		8	180	5
315T4534-3		5	29	1
		8	170	1
315T4534-4		5	30	1
		8	175	1
315T4534-5		5	152	1
		8	260	1
315T4534-6		5	153	1
		8	265	1
315T4572-13		1	536A	1
315T4572-14		1	539A	1
315T4572-17		1	524A	1
315T4572-18		1	527A	1
315T4572-19		1	522	1
		1	527D	1
		7	680	1
315T4572-20		1	522J	1
		1	524D	1
		7	676	1
315T4572-21		1	523J	1
		1	540A	1
		7	696	1
315T4572-22		1	523M	1
		1	537A	1
		7	692	1
315T4572-25		1	522A	1
		1	527F	1
		7	652	1

PART NUMBER	AIRLINE PART NO.	FIG.	ITEM	TTL REQ
315T4572-26		1	522H	1
		1	524F	1
		7	656	1
315T4572-27		1	523K	1
		1	540B	1
		7	668	1
315T4572-28		1	523N	1
		1	537B	1
		7	672	1
315T4572-33		1	523L	1
		1	540C	1
		7	668A	1
315T4572-34		1	523P	1
		1	537C	1
		7	672A	1
315T4574-1		7	268A	1
315T4574-2		7	280	1
315T4574-3		7	284	1
315W1115-46		9	25	1
		9	65	1
		10	15	1
		10	45	1
		11	25	1
		11	65	1
		9	160	2
315W3145-6		10	135	2
		11	160	2
		9	145	2
315W3145-7		9	145	2
315W3145-7		10	120	2
		11	145	2

78-31-45

 ILLUSTRATED PARTS LIST
 01.1 Page 1074
 Jul 01/05

PART NUMBER	AIRLINE PART NO.	FIG.	ITEM	TTL REQ
62547-5-4		5	390	16
		8	780	16
66014-10		1	461	6
		7	568	6
66014-5		1	214	12
		5	64	4
		5	82	16
		5	94	4
		5	166	2
		5	181	2
		5	211	24
		5	393	16
		7	260	12
		8	35	4
		8	75	16
		8	105	4
		8	275	2
		8	295	2
66014-6		8	360	24
		8	785	16
		1	287	27
		1	455	14
		1	518	6
		2	20	8
		3	15	8
		4	20	8
		5	235	60
		5	256	12
		5	277	18
		5	311	48
		5	330	30
		5	378	2
		5	480	4
		5	714	4
		7	360	27
		7	560	14
		7	644	6
		8	415	60
8	490	24		
8	550	6		
8	585	48		
8	625	20		
8	680	50		

78-31-45

ILLUSTRATED PARTS LIST
01.1 Page 1075
Jul 01/05

PART NUMBER	AIRLINE PART NO.	FIG.	ITEM	TTL REQ
66014-6		8	760	78
		8	815	6
66014-8		1	184	18
		1	256	9
		1	401	14
		1	405	4
		1	446	18
		7	216	18
		7	320	9
		7	472	14
		7	504	16
		7	548	4
67832AS6		1	554	6
		7	712	6
67832AS624		1	554	6
		7	712	6
9NS202101SE048		1	374	14
97E02		1	61	6
		5	25	9
		5	126	32
		5	151	10
		5	202	12
		5	302	12
		5	342	40
		5	372	86
		7	60	6
		8	165	9
		8	215	32
		8	250	10
		8	345	12
		8	570	12
		8	715	75
		8	745	46

78-31-45

 ILLUSTRATED PARTS LIST
 01.1 Page 1076
 Jul 01/05

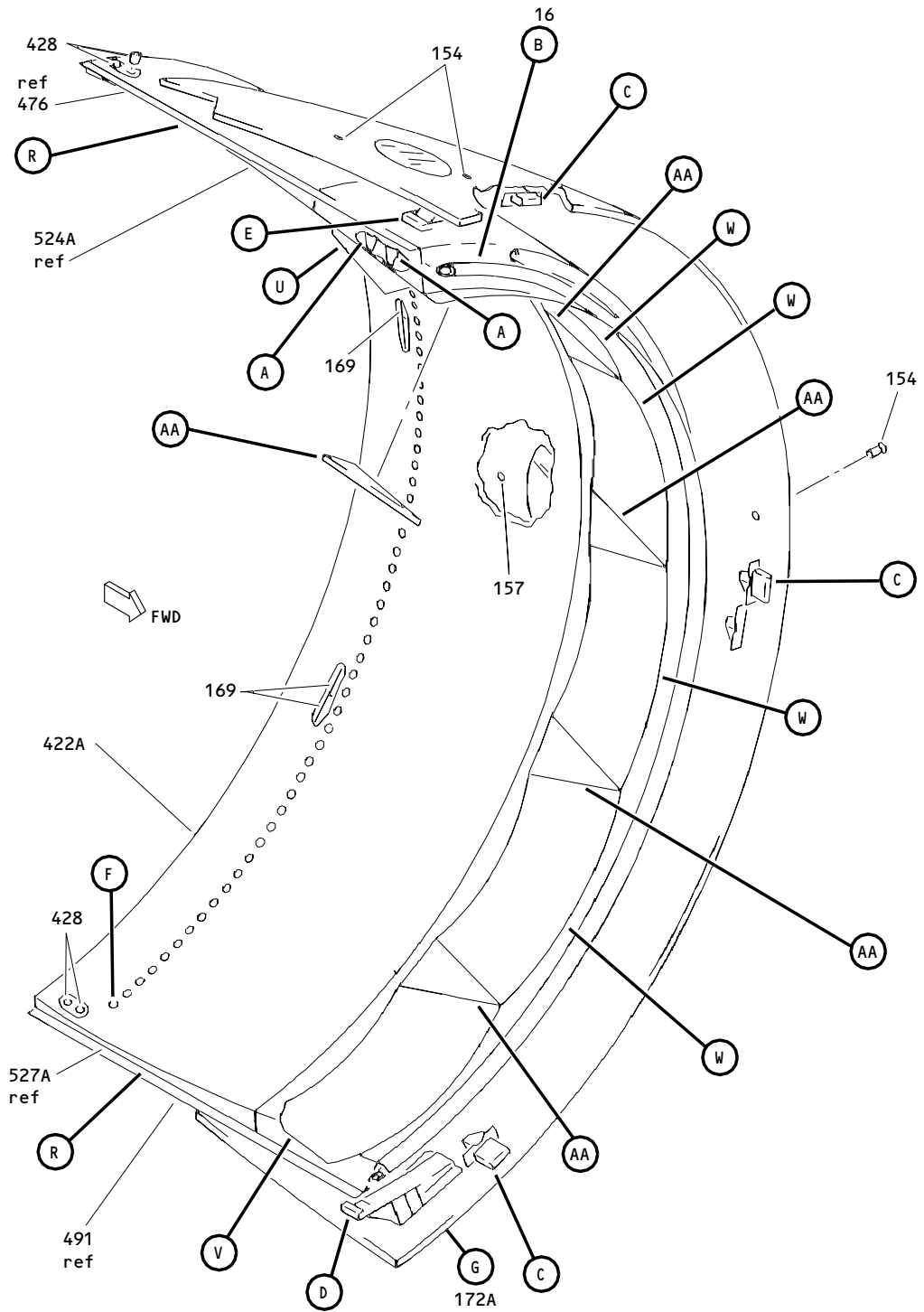
315T4026
315T4500

 **BOEING**
COMPONENT
MAINTENANCE MANUAL

PART NUMBER	AIRLINE PART NO.	FIG.	ITEM	TTL REQ
97E48		1	374	14
97E82		1	404	4

78-31-45

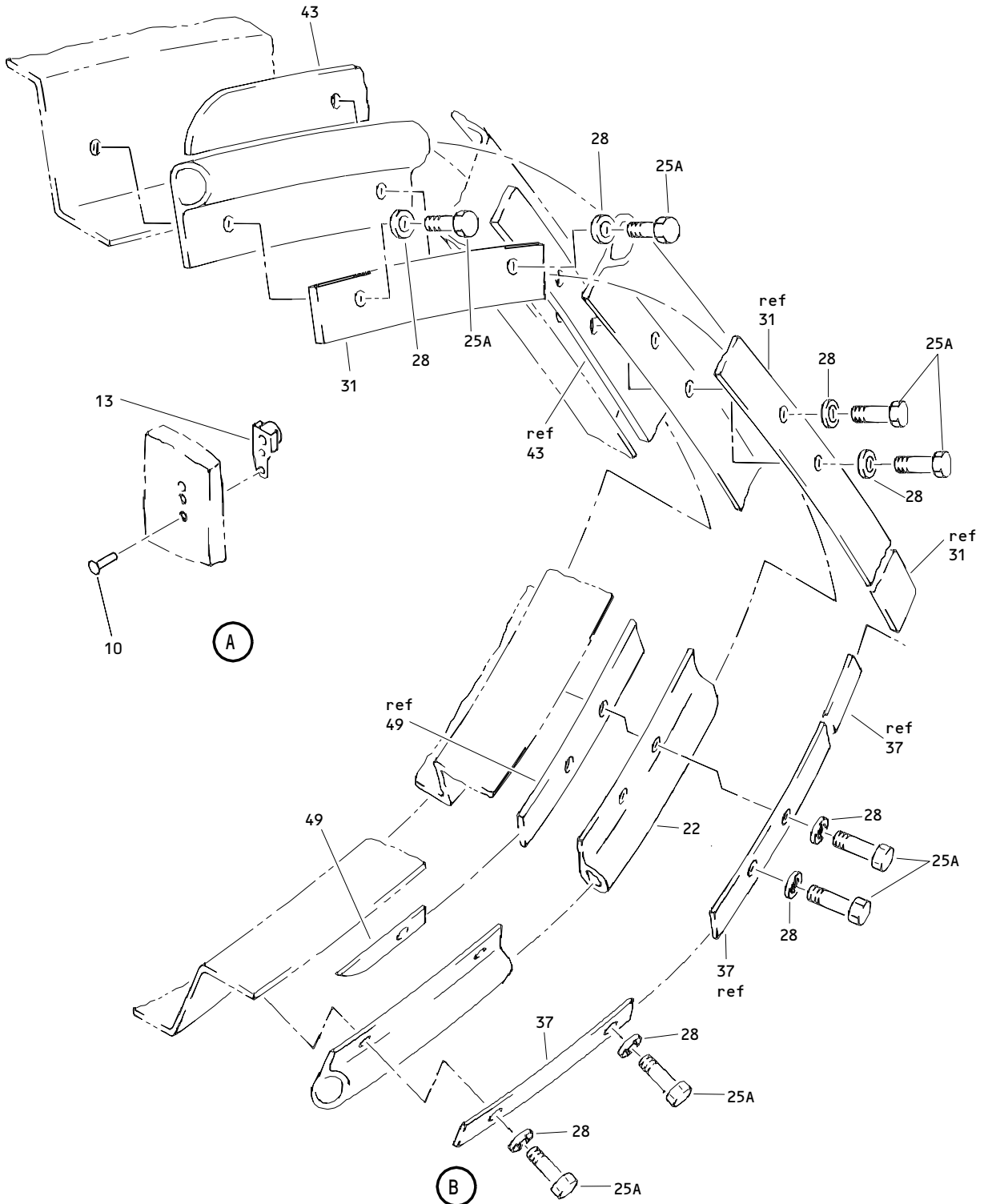
ILLUSTRATED PARTS LIST
01.1 Page 1077
Jul 01/05



Thrust Reverser Sleeve Assembly
Figure 1 (Sheet 1)

78-31-45

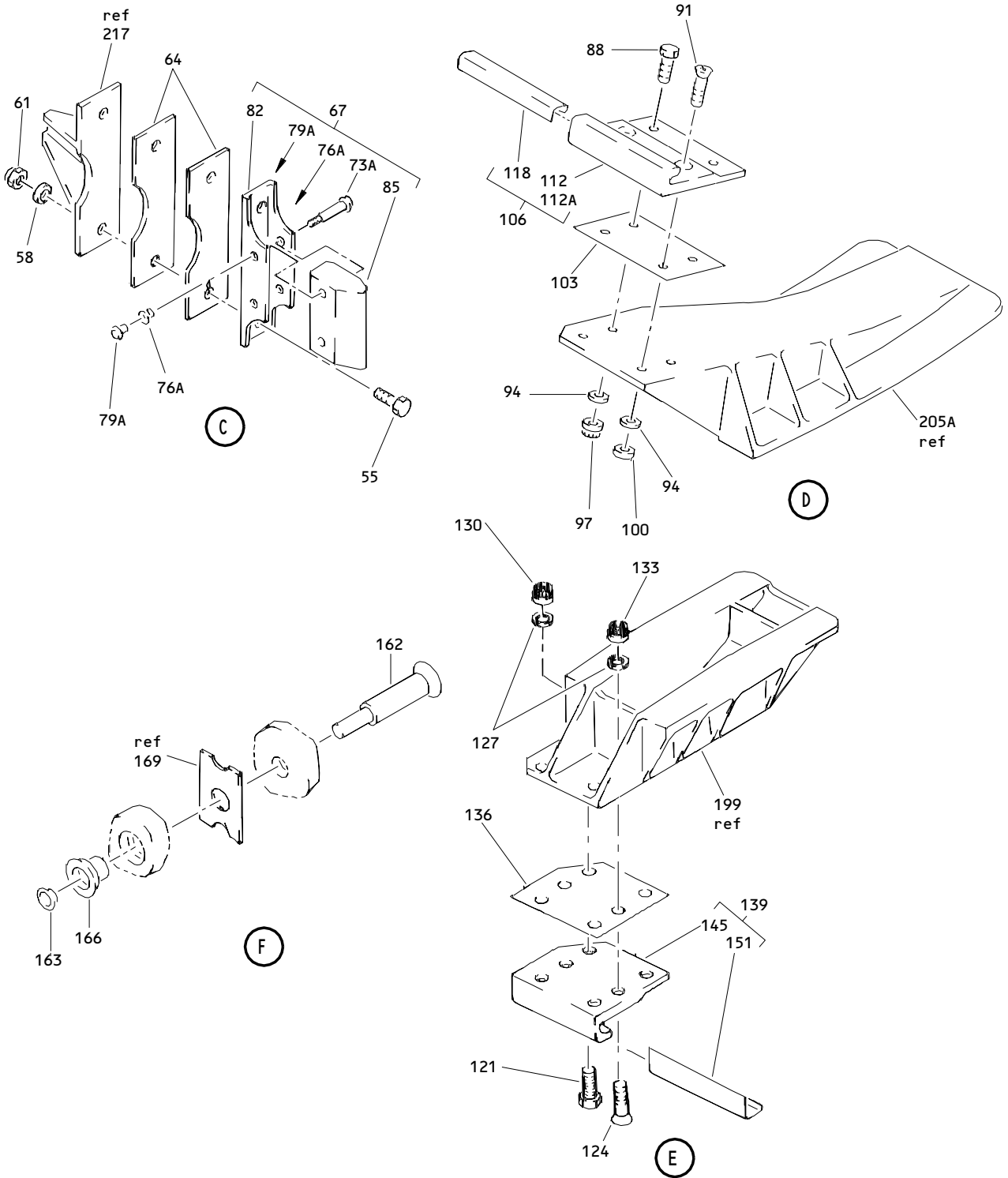
ILLUSTRATED PARTS LIST
01.1 Page 1079
Jul 01/05



Thrust Reverser Sleeve Assembly
 Figure 1 (Sheet 2)

78-31-45

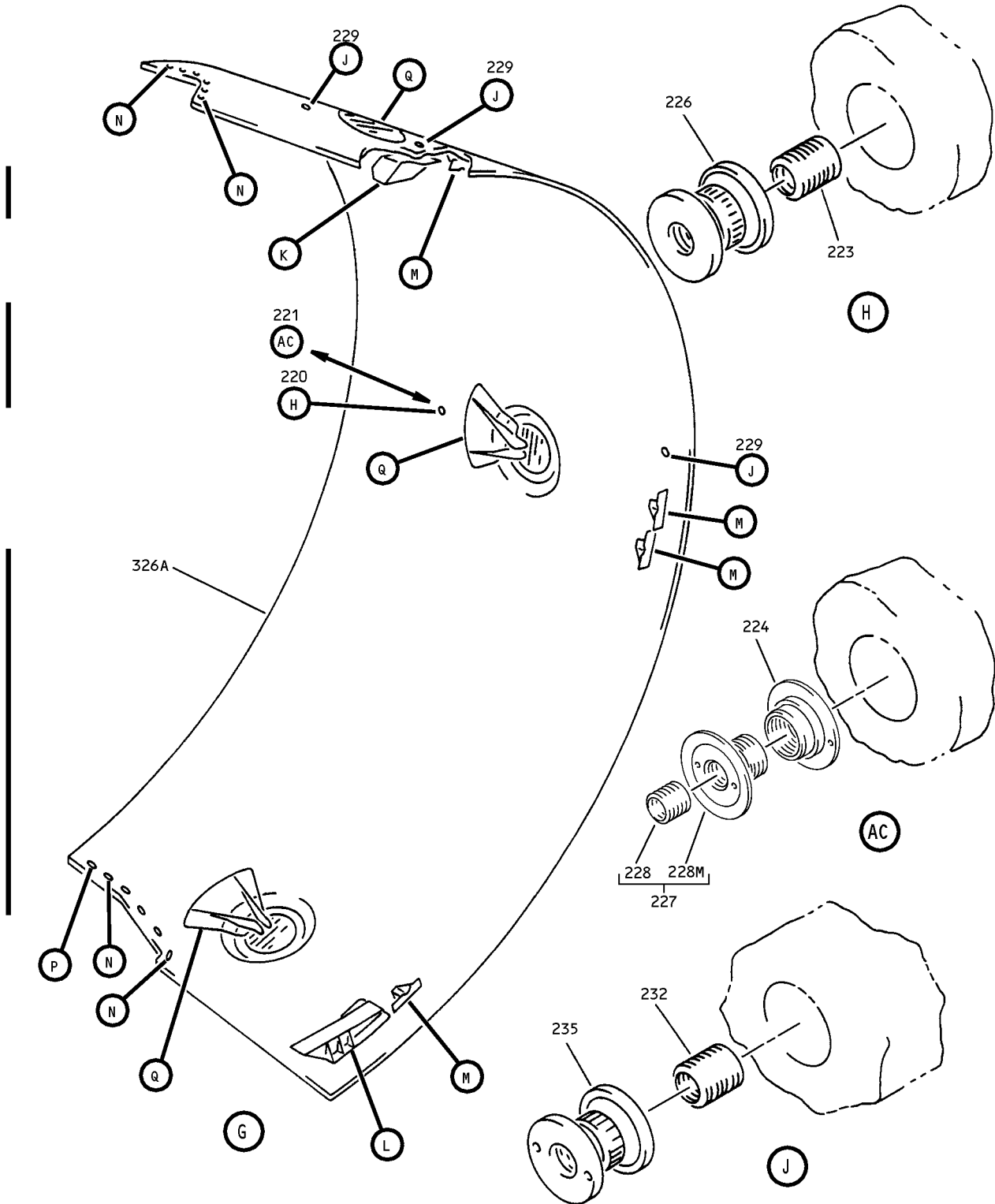
ILLUSTRATED PARTS LIST
 01.1 Page 1080
 Jul 01/05



Thrust Reverser Sleeve Assembly
Figure 1 (Sheet 3)

78-31-45

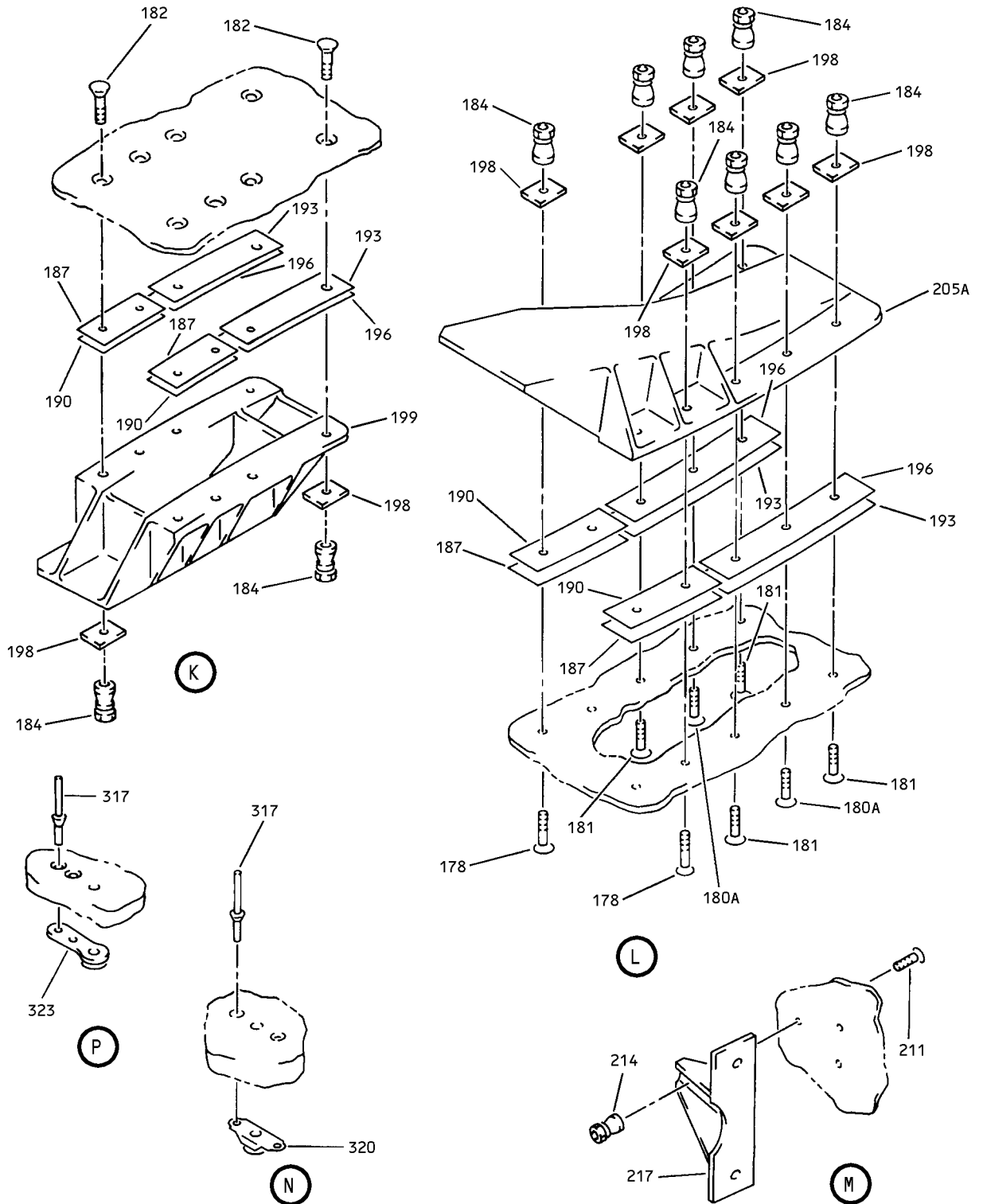
ILLUSTRATED PARTS LIST
01.1 Page 1080A
Jul 01/05



Thrust Reverser Sleeve Assembly
 Figure 1 (Sheet 4)

78-31-45

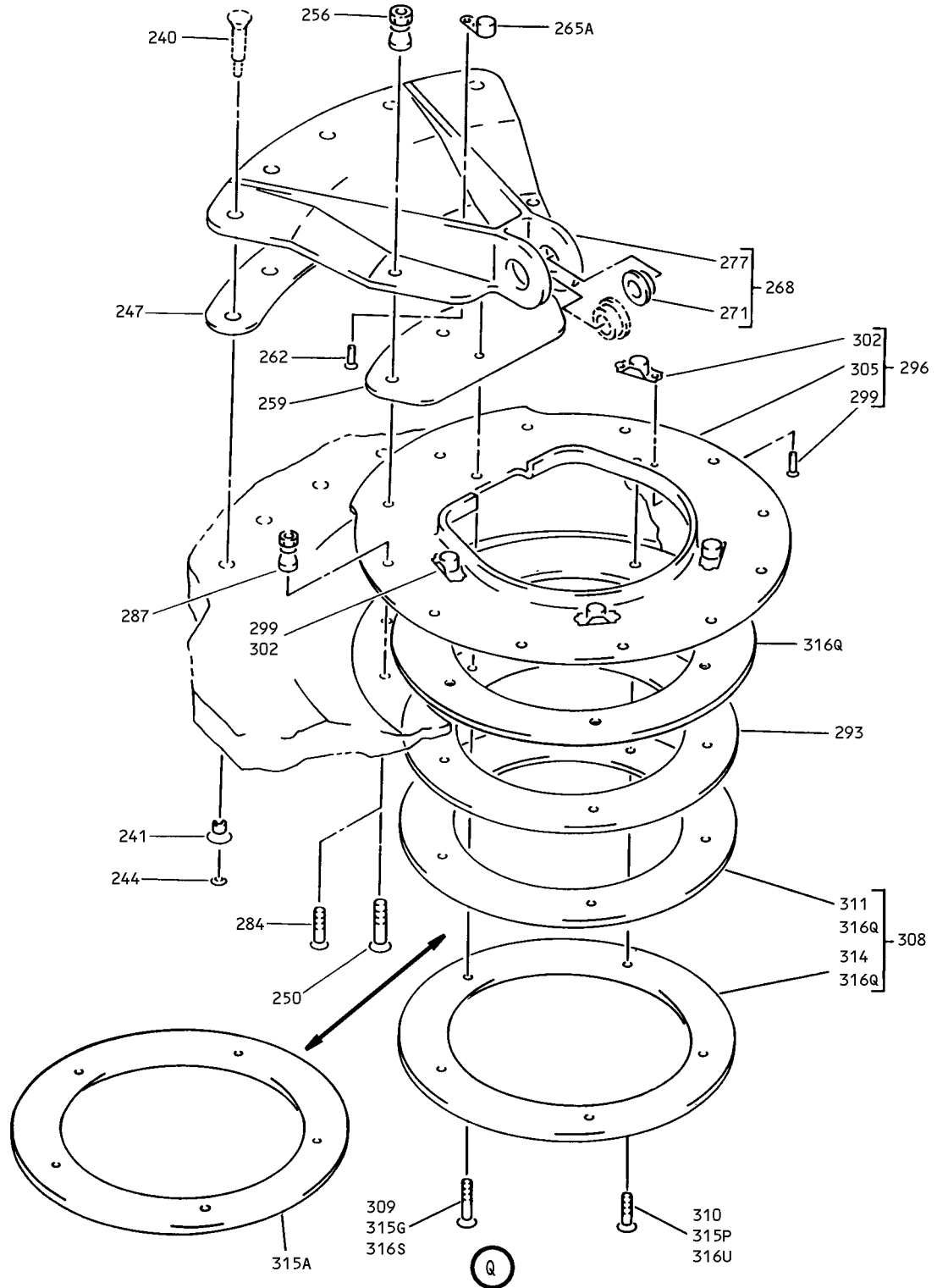
ILLUSTRATED PARTS LIST
 01.1 Page 1080B
 Jul 01/05



Thrust Reverser Sleeve Assembly
Figure 1 (Sheet 5)

78-31-45

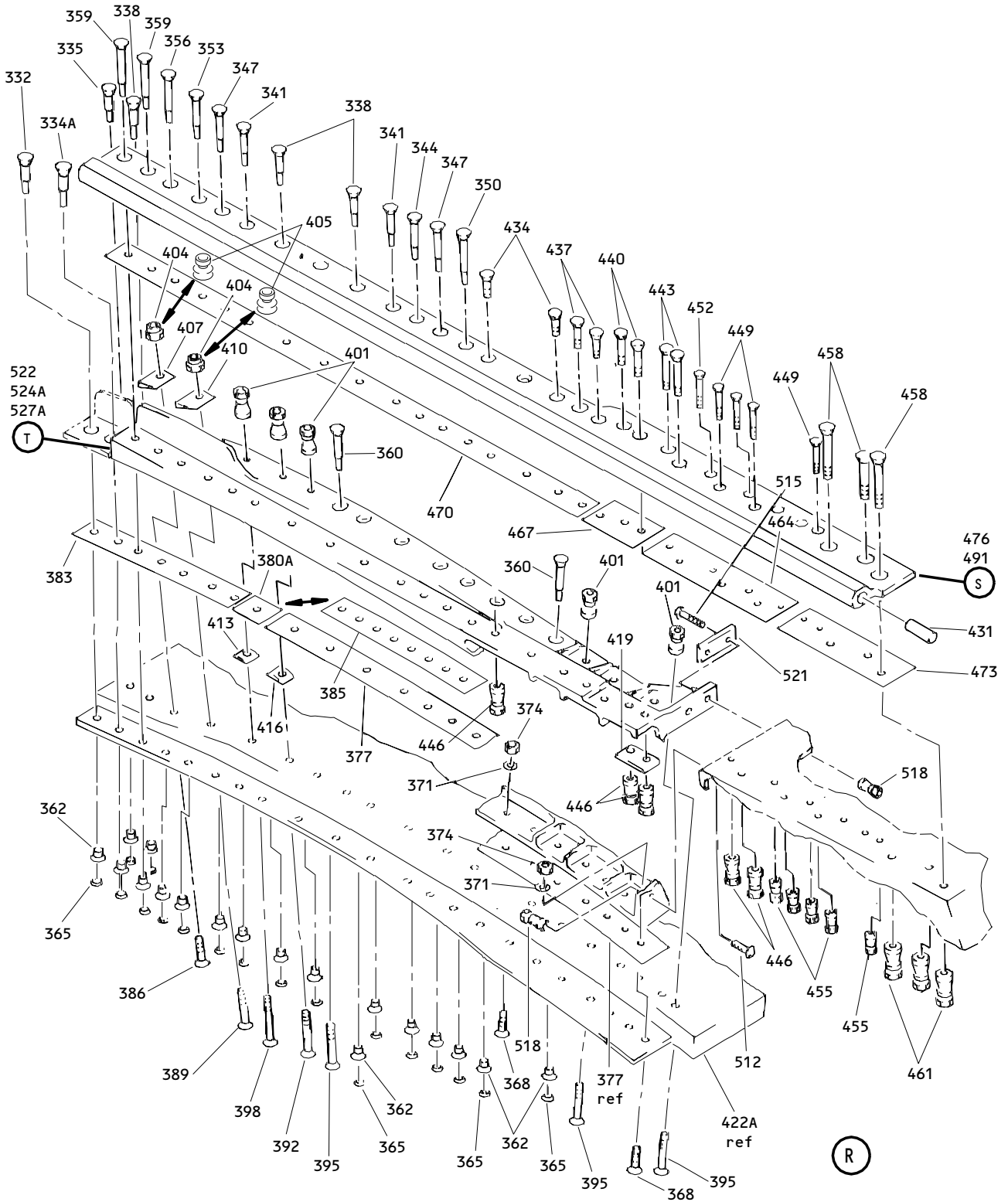
ILLUSTRATED PARTS LIST
01.1 Page 1080C
Jul 01/05



Thrust Reverser Sleeve Assembly
 Figure 1 (Sheet 6)

78-31-45

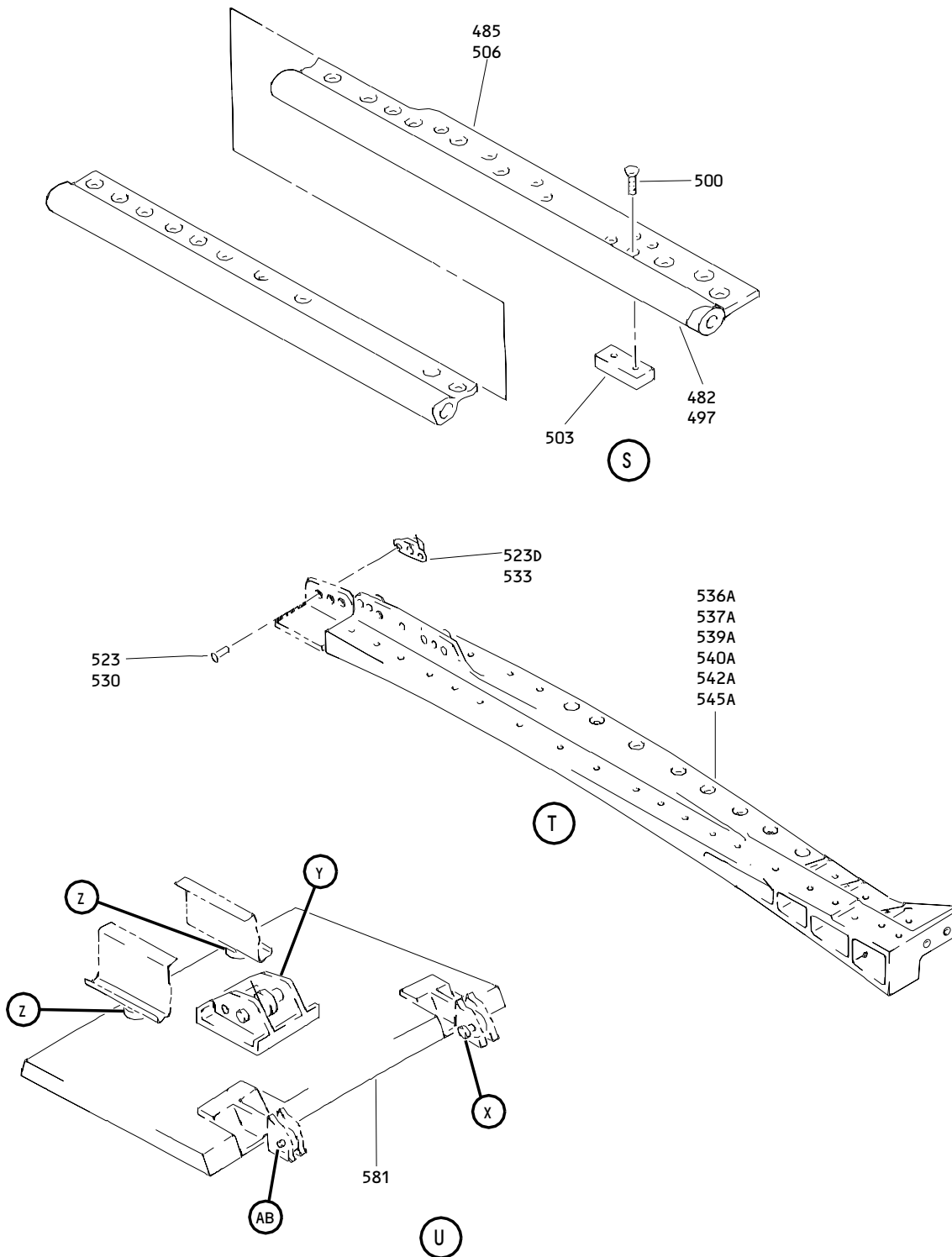
ILLUSTRATED PARTS LIST
 01.1 Page 1080D
 Jul 01/05



Thrust Reverser Sleeve Assembly
Figure 1 (Sheet 7)

78-31-45

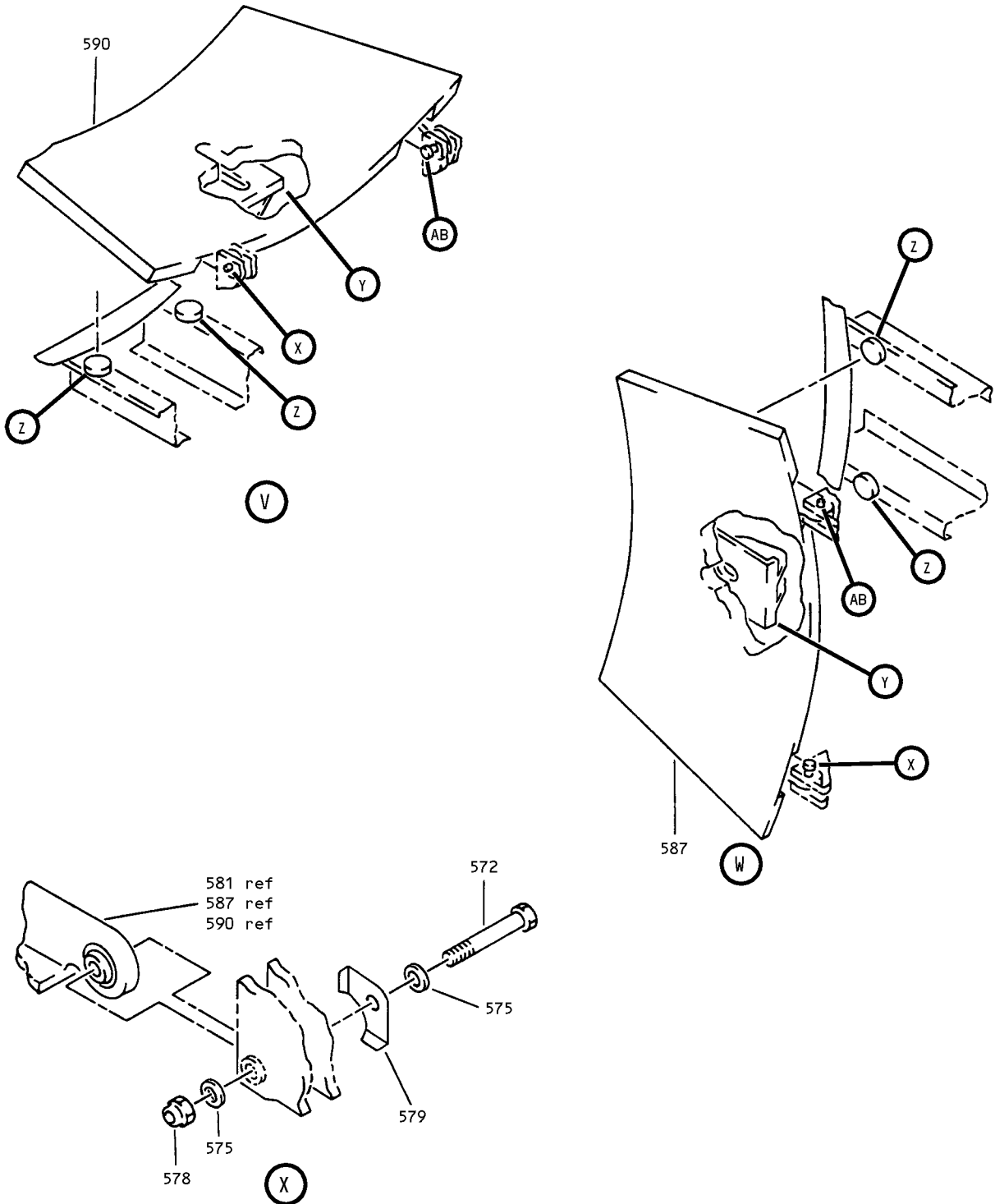
ILLUSTRATED PARTS LIST
01.1 Page 1080E
Jul 01/05



Thrust Reverser Sleeve Assembly
 Figure 1 (Sheet 8)

78-31-45

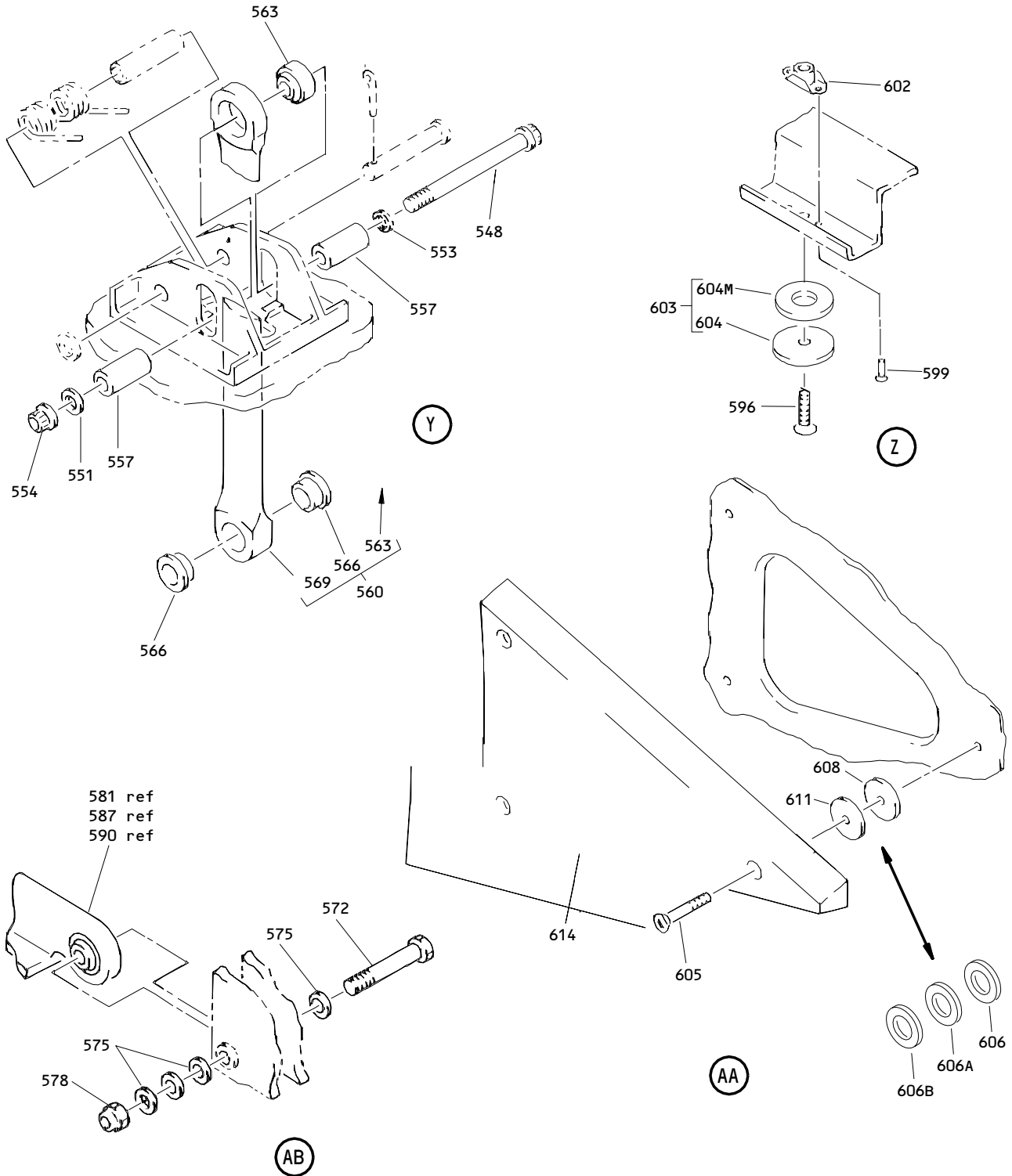
ILLUSTRATED PARTS LIST
 01.1 Page 1080F
 Jul 01/05



Thrust Reverser Sleeve Assembly
Figure 1 (Sheet 9)

78-31-45

ILLUSTRATED PARTS LIST
01.1 Page 1080G
Jul 01/05



Thrust Reverser Sleeve Assembly
 Figure 1 (Sheet 10)

78-31-45

ILLUSTRATED PARTS LIST
 01.1 Page 1080H
 Jul 01/05

 **BOEING**
COMPONENT
MAINTENANCE MANUAL

FIG. & ITEM	PART NO.	AIRLINE PART NUMBER	NOMENCLATURE 1234567	EFF CODE	QTY PER ASSY
01- -1	315T4500-1		SLEEVE ASSY-THRUST REVERSER (PRE SB 767-78A0080) (PRE SB 747-78A2165) (PRE SB 767-78A0089)	A	RF
-1A	315T4500-7		SLEEVE ASSY-THRUST REVERSER (PRE SB 767-78A0080) (PRE SB 747-78A2165) (PRE SB 767-78A0089)	C	RF
-1B	315T4500-9		SLEEVE ASSY-THRUST REVERSER (PRE SB 767-78A0080) (PRE SB 747-78A2165) (PRE SB 767-78A0089)	E	RF
-1C	315T4500-13		SLEEVE ASSY-THRUST REVERSER (NHA 315T4295, REF COLLECTOR CMM 78-31-47) (FOR DETAILS SEE FIG. 7)	G	RF
-1D	315T4500-15		SLEEVE ASSY-THRUST REVERSER (NHA 315T4295, REF COLLECTOR CMM 78-31-47) (FOR DETAILS SEE FIG. 7)	H	RF
-1E	315T4500-17		SLEEVE ASSY-THRUST REVERSER (NHA 315T4295, REF COLLECTOR CMM 78-31-47) (FOR DETAILS SEE FIG. 7)	J	RF
-1F	315T4500-21		SLEEVE ASSY-THRUST REVERSER (FOR DETAILS SEE FIG. 7)	N	RF
-1G	315T4500-23		SLEEVE ASSY-THRUST REVERSER (FOR DETAILS SEE FIG. 7)	P	RF
-1H	315T4500-25		SLEEVE ASSY-THRUST REVERSER (FOR DETAILS SEE FIG. 7)	Q	RF
-1J	315T4500-27		SLEEVE ASSY-THRUST REVERSER (FOR DETAILS SEE FIG. 7)	R	RF
-1K	315T4500-29		SLEEVE ASSY-THRUST REVERSER (NHA 315T4295, REF COLLECTOR CMM 78-31-47) (FOR DETAILS SEE FIG. 7)	S	RF
-1L	315T4500-31		SLEEVE ASSY-THRUST REVERSER (NHA 315T4295, REF COLLECTOR CMM 78-31-47) (FOR DETAILS SEE FIG. 7)	T	RF
-1M	315T4500-33		SLEEVE ASSY-THRUST REVERSER (FOR DETAILS SEE FIG. 7)	AA	RF
-1N	315T4500-35		SLEEVE ASSY-THRUST REVERSER (FOR DETAILS SEE FIG. 7)	AB	RF

78-31-45

ILLUSTRATED PARTS LIST
01.1 Page 1080I
Jul 01/05

FIG. & ITEM	PART NO.	AIRLINE PART NUMBER	NOMENCLATURE 1234567	EFF CODE	QTY PER ASSY
01- -1P	315T4500-37		SLEEVE ASSY-THRUST REVERSER (FOR DETAILS SEE FIG. 7)	AC	RF
-1Q	315T4500-39		SLEEVE ASSY-THRUST REVERSER (FOR DETAILS SEE FIG. 7)	AD	RF
-1R	315T4500-41		SLEEVE ASSY-THRUST REVERSER (NHA 315T4295, REF COLLECTOR CMM 78-31-47) (FOR DETAILS SEE FIG. 7)	AE	RF
-1S	315T4500-43		SLEEVE ASSY-THRUST REVERSER (NHA 315T4295, REF COLLECTOR CMM 78-31-47) (FOR DETAILS SEE FIG. 7)	AF	RF
-1T	BCREFA4913		END ITEM-FAN DUCT COWL AND THRUST REVERSER (THE SLEEVE ASSYS (FIG. 1; 1C TO 1E, 1K, 1L, 1R, 1S, 1Z, 2) AND DIAPHRAGM ASSYS (FIG, 8; 1B TO 1D) ARE SUB ASSEMBLIES OF THE FAN DUCT COWL AND THRUST REVERSER END ITEMS, PART NUMBERS 315T4295-() (LH SIDE), SEE CMM 78-31-47) (P/N UNASSIGNED)	AN	RF
-1U	BCREFA4954		END ITEM-FAN DUCT COWL AND THRUST REVERSER (THE SLEEVE ASSYS (FIG. 1; 1D TO 1Q, 1V TO 1Y) AND DIAPHRAGM ASSY (FIG. 8; 1B, 1E TO 1H) ARE SUB ASSEMBLIES OF THE FAN DUCT COWL AND THRUST REVERSER END ITEMS, PART NUMBERS 315U4295-(), (LH SIDE), SEE CMM 78-31-48) (P/N UNASSIGNED)	AQ	RF
-1V	315T4500-45		SLEEVE ASSY-THRUST REVERSER (NHA 315U4295, REF COLLECTOR CMM 78-31-48) (FOR DETAILS SEE FIG. 7)	AS	RF

78-31-45

 **BOEING**
COMPONENT
MAINTENANCE MANUAL

FIG. & ITEM	PART NO.	AIRLINE PART NUMBER	NOMENCLATURE 1234567	EFF CODE	QTY PER ASSY
01- -1W	315T4500-47		SLEEVE ASSY-THRUST REVERSER (NHA 315U4295, REF COLLECTOR CMM 78-31-48) (FOR DETAILS SEE FIG. 7)	AT	RF
-1X	315T4500-49		SLEEVE ASSY-THRUST REVERSER (NHA 315U4295, REF COLLECTOR CMM 78-31-48) (FOR DETAILS SEE FIG. 7)	AU	RF
-1Y	315T4500-51		SLEEVE ASSY-THRUST REVERSER (NHA 315U4295, REF COLLECTOR CMM 78-31-48) (FOR DETAILS SEE FIG. 7)	AV	RF
-1Z	315T4500-53		SLEEVE ASSY-THRUST REVERSER (NHA 315T4295, REF COLLECTOR CMM 78-31-47) (FOR DETAILS SEE FIG. 7)	AW	RF
-2	315T4500-55		SLEEVE ASSY-THRUST REVERSER (NHA 315T4295, REF COLLECTOR CMM 78-31-47) (FOR DETAILS SEE FIG. 7)	AX	RF
-2A	315T4026-11		SLEEVE ASSY- (POST SB 767-78A0080) (POST SB 747-78A2165) (POST SB 767-78A0089)	BE	RF
-2B	315T4026-13		SLEEVE ASSY- (POST SB 767-78A0080) (POST SB 747-78A2165) (POST SB 767-78A0089)	BF	RF
-2C	315T4026-15		SLEEVE ASSY- (POST SB 767-78A0080) (POST SB 747-78A2165) (POST SB 767-78A0089)	BG	RF
-2D	MODREF120309		SLEEVE ASSY- (315T4500-45REVA) (FOR DETAILS SEE FIG. 7)	BL	RF
-2E	MODREF172208		SLEEVE ASSY- (315T4500-45REVB) (FOR DETAILS SEE FIG. 7)	BM	RF
-2F	MODREF193622		SLEEVE ASSY- (315T4500-45REVC) (FOR DETAILS SEE FIG. 7)	BN	RF
-2G	MODREF120311		SLEEVE ASSY- (315T4500-47REVA) (FOR DETAILS SEE FIG. 7)	BP	RF

78-31-45

ILLUSTRATED PARTS LIST
01.1 Page 1080K
Jul 01/05

FIG. & ITEM	PART NO.	AIRLINE PART NUMBER	NOMENCLATURE 1234567	EFF CODE	QTY PER ASSY
01- -2H	MODREF172210		SLEEVE ASSY- (315T4500-47REVB) (FOR DETAILS SEE FIG. 7)	BQ	RF
-2J	MODREF193624		SLEEVE ASSY- (315T4500-47REVC) (FOR DETAILS SEE FIG. 7)	BR	RF
-2K	MODREF120313		SLEEVE ASSY- (315T4500-49REVA) (FOR DETAILS SEE FIG. 7)	BS	RF
-2L	MODREF172212		SLEEVE ASSY- (315T4500-49REVB) (FOR DETAILS SEE FIG. 7)	BT	RF
-2M	MODREF193626		SLEEVE ASSY- (315T4500-49REVC) (FOR DETAILS SEE FIG. 7)	BU	RF
-2N	MODREF120315		SLEEVE ASSY- (315T4500-51REVA) (FOR DETAILS SEE FIG. 7)	BV	RF
-2P	MODREF172214		SLEEVE ASSY- (315T4500-51REVB) (FOR DETAILS SEE FIG. 7)	BW	RF
-2Q	MODREF193628		SLEEVE ASSY- (315T4500-51REVC) (FOR DETAILS SEE FIG. 7)	BX	RF
-2R	MODREF61395		SLEEVE ASSY- (315T4500-53REVA) (FOR DETAILS SEE FIG. 7)	BY	RF
-2S	MODREF101852		SLEEVE ASSY- (315T4500-53REVB) (FOR DETAILS SEE FIG. 7)	BZ	RF
-2T	MODREF135571		SLEEVE ASSY- (315T4500-53REVC) (FOR DETAILS SEE FIG. 7)	CA	RF
-2U	MODREF172313		SLEEVE ASSY- (315T4500-53REVD) (FOR DETAILS SEE FIG. 7)	CB	RF
-2V	MODREF193574		SLEEVE ASSY- (315T4500-53REVE) (FOR DETAILS SEE FIG. 7)	CC	RF
-2W	MODREF61397		SLEEVE ASSY- (315T4500-55REVA) (FOR DETAILS SEE FIG. 7)	CD	RF
-2X	MODREF101850		SLEEVE ASSY- (315T4500-55REVB) (FOR DETAILS SEE FIG. 7)	CE	RF

78-31-45

 ILLUSTRATED PARTS LIST
 01.1 Page 1080L
 Jul 01/05

 **BOEING**
COMPONENT
MAINTENANCE MANUAL

FIG. & ITEM	PART NO.	AIRLINE PART NUMBER	NOMENCLATURE 1234567	EFF CODE	QTY PER ASSY
01- -2Y	MODREF135573		SLEEVE ASSY- (315T4500-55REVC) (FOR DETAILS SEE FIG. 7)	CF	RF
-2Z	MODREF172315		SLEEVE ASSY- (315T4500-55REVD) (FOR DETAILS SEE FIG. 7)	CG	RF
-3	MODREF193576		SLEEVE ASSY- (315T4500-55REVE) (FOR DETAILS SEE FIG. 7)	CH	RF
-3A	MODREF209087		SLEEVE ASSY- (315T4500-45REVD) (FOR DETAILS SEE FIG. 7)	DG	RF
-3B	MODREF209089		SLEEVE ASSY- (315T4500-47REVD) (FOR DETAILS SEE FIG. 7)	DH	RF
-3C	MODREF209091		SLEEVE ASSY- (315T4500-49REVD) (FOR DETAILS SEE FIG. 7)	DJ	RF
-3D	MODREF209093		SLEEVE ASSY- (315T4500-51REVD) (FOR DETAILS SEE FIG. 7)	DK	RF
-3E	MODREF209133		SLEEVE ASSY- (315T4500-53REVF) (FOR DETAILS SEE FIG. 7)	DL	RF
-3F	MODREF209135		SLEEVE ASSY- (315T4500-55REVF) (FOR DETAILS SEE FIG. 7)	DM	RF
-4T	MODREF209088		SLEEVE ASSY- (315T4500-46REVD) (FOR DETAILS SEE FIG. 7)	DN	RF
-4U	MODREF209090		SLEEVE ASSY- (315T4500-48REVD) (FOR DETAILS SEE FIG. 7)	DP	RF
-4V	MODREF209092		SLEEVE ASSY- (315T4500-50REVD) (FOR DETAILS SEE FIG. 7)	DQ	RF
-4W	MODREF209094		SLEEVE ASSY- (315T4500-52REVD) (FOR DETAILS SEE FIG. 7)	DR	RF
-4X	MODREF209134		SLEEVE ASSY- (315T4500-54REVF) (FOR DETAILS SEE FIG. 7)	DS	RF
-4Y	MODREF209136		SLEEVE ASSY- (315T4500-56REVF) (FOR DETAILS SEE FIG. 7)	DT	RF

78-31-45

ILLUSTRATED PARTS LIST
01.1 Page 1080M
Jul 01/05

FIG. & ITEM	PART NO.	AIRLINE PART NUMBER	NOMENCLATURE 1234567	EFF CODE	QTY PER ASSY
01-4Z	MODREF193577		SLEEVE ASSY- (315T4500-56REVE) (FOR DETAILS SEE FIG. 7)	DF	RF
-5	315T4500-2		SLEEVE ASSY-THRUST REVERSER (PRE SB 767-78A0080) (PRE SB 747-78A2165) (PRE SB 767-78A0089)	B	RF
-5A	315T4500-8		SLEEVE ASSY-THRUST REVERSER (PRE SB 767-78A0080) (PRE SB 747-78A2165) (PRE SB 767-78A0089)	D	RF
-5B	315T4500-10		SLEEVE ASSY-THRUST REVERSER (PRE SB 767-78A0080) (PRE SB 747-78A2165) (PRE SB 767-78A0089)	F	RF
-5C	315T4500-14		SLEEVE ASSY-THRUST REVERSER (NHA 315T4295, REF COLLECTOR CMM 78-31-47) (FOR DETAILS SEE FIG. 7)	K	RF
-5D	315T4500-16		SLEEVE ASSY-THRUST REVERSER (NHA 315T4295, REF COLLECTOR CMM 78-31-47) (FOR DETAILS SEE FIG. 7)	L	RF
-5E	315T4500-18		SLEEVE ASSY-THRUST REVERSER (NHA 315T4295, REF COLLECTOR CMM 78-31-47) (FOR DETAILS SEE FIG. 7)	M	RF
-5F	315T4500-22		SLEEVE ASSY-THRUST REVERSER (FOR DETAILS SEE FIG. 7)	U	RF
-5G	315T4500-24		SLEEVE ASSY-THRUST REVERSER (FOR DETAILS SEE FIG. 7)	V	RF
-5H	315T4500-26		SLEEVE ASSY-THRUST REVERSER (FOR DETAILS SEE FIG. 7)	W	RF
-5J	315T4500-28		SLEEVE ASSY-THRUST REVERSER (FOR DETAILS SEE FIG. 7)	X	RF
-5K	315T4500-30		SLEEVE ASSY-THRUST REVERSER (NHA 315T4295, REF COLLECTOR CMM 78-31-47) (FOR DETAILS SEE FIG. 7)	Y	RF
-5L	315T4500-32		SLEEVE ASSY-THRUST REVERSER (NHA 315T4295, REF COLLECTOR CMM 78-31-47) (FOR DETAILS SEE FIG. 7)	Z	RF
-5M	315T4500-34		SLEEVE ASSY-THRUST REVERSER (FOR DETAILS SEE FIG. 7)	AG	RF

78-31-45

 ILLUSTRATED PARTS LIST
 01.1 Page 1080N
 Jul 01/05

BOEING
COMPONENT
MAINTENANCE MANUAL

FIG. & ITEM	PART NO.	AIRLINE PART NUMBER	NOMENCLATURE 1234567	EFF CODE	QTY PER ASSY
01- -5N	315T4500-36		SLEEVE ASSY-THRUST REVERSER (FOR DETAILS SEE FIG. 7)	AH	RF
-5P	315T4500-38		SLEEVE ASSY-THRUST REVERSER (FOR DETAILS SEE FIG. 7)	AJ	RF
-5Q	315T4500-40		SLEEVE ASSY-THRUST REVERSER (FOR DETAILS SEE FIG. 7)	AK	RF
-5R	315T4500-42		SLEEVE ASSY-THRUST REVERSER (NHA 315T4295, REF COLLECTOR CMM 78-31-47) (FOR DETAILS SEE FIG. 7)	AL	RF
-5S	315T4500-44		SLEEVE ASSY-THRUST REVERSER (NHA 315T4295, REF COLLECTOR CMM 78-31-47) (FOR DETAILS SEE FIG. 7)	AM	RF
-5T	BCREFA4914		END ITEM-FAN DUCT COWL AND THRUST REVERSER (THE SLEEVE ASSYS (FIG. 1; 5C TO 5E, 5K, 5L, 5R, 5S, 5Z, 6) AND DIAPHRAGM ASSYS (FIG. 8; 5A TO 5C) ARE SUB ASSEMBLIES OF THE FAN DUCT COWL AND THRUST REVERSER END ITEMS, PART NUMBERS 315T4295-() (RH SIDE), SEE CMM 78-31-47) (P/N UNASSIGNED)	AP	RF
-5U	BCREFA4955		END ITEM-FAN DUCT COWL AND THRUST REVERSER (THE SLEEVE ASSYS (FIG. 1; 5D TO 5Q, 5V TO 5Y) AND DIAPHRAGM ASSYS (FIG. 8; 5A, 5D TO 5G) ARE SUB ASSEMBLIES OF THE FAN DUCT COWL AND THRUST REVERSER END ITEMS, PART NUMBERS 315U4295-(), (RH SIDE), SEE CMM 78-31-48) (P/N UNASSIGNED)	AR	RF
-5V	315T4500-46		SLEEVE ASSY-THRUST REVERSER (NHA 315U4295, REF COLLECTOR CMM 78-31-48) (FOR DETAILS SEE FIG. 7)	AY	RF

78-31-45

ILLUSTRATED PARTS LIST
01.1 Page 10800
Jul 01/05

FIG. & ITEM	PART NO.	AIRLINE PART NUMBER	NOMENCLATURE 1234567	EFF CODE	QTY PER ASSY
01- -5W	315T4500-48		SLEEVE ASSY-THRUST REVERSER (NHA 315U4295, REF COLLECTOR CMM 78-31-48) (FOR DETAILS SEE FIG. 7)	AZ	RF
-5X	315T4500-50		SLEEVE ASSY-THRUST REVERSER (NHA 315U4295, REF COLLECTOR CMM 78-31-48) (FOR DETAILS SEE FIG. 7)	BA	RF
-5Y	315T4500-52		SLEEVE ASSY-THRUST REVERSER (NHA 315U4295, REF COLLECTOR CMM 78-31-48) (FOR DETAILS SEE FIG. 7)	BB	RF
-5Z	315T4500-54		SLEEVE ASSY-THRUST REVERSER (NHA 315T4295, REF COLLECTOR CMM 78-31-47) (FOR DETAILS SEE FIG. 7)	BC	RF
-6	315T4500-56		SLEEVE ASSY-THRUST REVERSER (NHA 315T4295, REF COLLECTOR CMM 78-31-47) (FOR DETAILS SEE FIG. 7)	BD	RF
-6A	315T4026-12		SLEEVE ASSY- (POST SB 767-78A0080) (POST SB 747-78A2165) (POST SB 767-78A0089)	BH	RF
-6B	315T4026-14		SLEEVE ASSY- (POST SB 767-78A0080) (POST SB 747-78A2165) (POST SB 767-78A0089)	BJ	RF
-6C	315T4026-16		SLEEVE ASSY- (POST SB 767-78A0080) (POST SB 747-78A2165) (POST SB 767-78A0089)	BK	RF
-6D	MODREF120310		SLEEVE ASSY- (315T4500-46REVA) (FOR DETAILS SEE FIG. 7)	CJ	RF
-6E	MODREF172209		SLEEVE ASSY- (315T4500-46REVB) (FOR DETAILS SEE FIG. 7)	CK	RF
-6F	MODREF193623		SLEEVE ASSY- (315T4500-46REVC) (FOR DETAILS SEE FIG. 7)	CL	RF
-6G	MODREF120312		SLEEVE ASSY- (315T4500-48REVA) (FOR DETAILS SEE FIG. 7)	CM	RF

78-31-45

 ILLUSTRATED PARTS LIST
 01.1 Page 1080P
 Jul 01/05

 **BOEING**
COMPONENT
MAINTENANCE MANUAL

FIG. & ITEM	PART NO.	AIRLINE PART NUMBER	NOMENCLATURE 1234567	EFF CODE	QTY PER ASSY
01- -6H	MODREF172211		SLEEVE ASSY- (315T4500-48REVB) (FOR DETAILS SEE FIG. 7)	CN	RF
-6J	MODREF193625		SLEEVE ASSY- (315T4500-48REVC) (FOR DETAILS SEE FIG. 7)	CP	RF
-6K	MODREF120314		SLEEVE ASSY- (315T4500-50REVA) (FOR DETAILS SEE FIG. 7)	CQ	RF
-6L	MODREF172213		SLEEVE ASSY- (315T4500-50REVB) (FOR DETAILS SEE FIG. 7)	CR	RF
-6M	MODREF193627		SLEEVE ASSY- (315T4500-50REVC) (FOR DETAILS SEE FIG. 7)	CS	RF
-6N	MODREF120316		SLEEVE ASSY- (315T4500-52REVA) (FOR DETAILS SEE FIG. 7)	CT	RF
-6P	MODREF172215		SLEEVE ASSY- (315T4500-52REVB) (FOR DETAILS SEE FIG. 7)	CU	RF
-6Q	MODREF193629		SLEEVE ASSY- (315T4500-52REVC) (FOR DETAILS SEE FIG. 7)	CV	RF
-6R	MODREF61396		SLEEVE ASSY- (315T4500-54REVA) (FOR DETAILS SEE FIG. 7)	CW	RF
-6S	MODREF101851		SLEEVE ASSY- (315T4500-54REVB) (FOR DETAILS SEE FIG. 7)	CX	RF

78-31-45

ILLUSTRATED PARTS LIST
01.1 Page 1080Q
Jul 01/05

FIG. & ITEM	PART NO.	AIRLINE PART NUMBER	NOMENCLATURE 1234567	EFF CODE	QTY PER ASSY
01- -6T	MODREF135572		SLEEVE ASSY- (315T4500-54REVC) (FOR DETAILS SEE FIG. 7)	CY	RF
-6U	MODREF172314		SLEEVE ASSY- (315T4500-54REVD) (FOR DETAILS SEE FIG. 7)	CZ	RF
-6V	MODREF193575		SLEEVE ASSY- (315T4500-54REVE) (FOR DETAILS SEE FIG. 7)	DA	RF
-6W	MODREF61398		SLEEVE ASSY- (315T4500-56REVA) (FOR DETAILS SEE FIG. 7)	DB	RF
-6X	MODREF101849		SLEEVE ASSY- (315T4500-56REVB) (FOR DETAILS SEE FIG. 7)	DC	RF
-6Y	MODREF135574		SLEEVE ASSY- (315T4500-56REVC) (FOR DETAILS SEE FIG. 7)	DD	RF
-6Z	MODREF172316		SLEEVE ASSY- (315T4500-56REVD) (FOR DETAILS SEE FIG. 7)	DE	RF
-7	315T4500-5001		DELETED		
-7A	315T4500-5003		.SLEEVE ASSY- (REPLD BY ITEMS 7C, 7D, 7G)	A	1
-7B	315T4500-5005		DELETED		
-7C	315T4500-5013		.SLEEVE ASSY- (REPLS ITEM 7A) (REPLD BY ITEMS 7D, 7G)	A	1
-7D	315T4500-5015		.SLEEVE ASSY- (REPLS ITEMS 7A, 7C) (REPLD BY ITEM 7G)	A	1

78-31-45

 ILLUSTRATED PARTS LIST
 01.1 Page 1080R
 Jul 01/05



BOEING
COMPONENT
MAINTENANCE MANUAL

FIG. & ITEM	PART NO.	AIRLINE PART NUMBER	NOMENCLATURE 1234567	EFF CODE	QTY PER ASSY
01- -7E	315T4500-5017		. SLEEVE ASSY- (LIMITED)	C	1
-7F	315T4500-5019		DELETED		
-7G	315T4500-5021		. SLEEVE ASSY	A	1
-7H	315T4500-5023		DELETED		
-7J	315T4500-5025		. SLEEVE ASSY- (LIMITED)	C	1
-7K	315T4500-5027		DELETED		
-7L	315T4500-5033		. SLEEVE ASSY- (LIMITED)	C	1
-7M	315T4500-5035		. SLEEVE ASSY- (LIMITED)	E	1
-7N	315T4500-5037		. SLEEVE ASSY- (LIMITED)	E	1
-7P	315T4500-5041		. SLEEVE ASSY- (LIMITED)	E	1
-7Q	315T4500-5043		. SLEEVE ASSY- (LIMITED)	E	1
-7R	315T4500-5045		. SLEEVE ASSY- (LIMITED)	E	1
-7S	315T4500-5049		. SLEEVE ASSY- (LIMITED)	E	1
-7T	315T4500-5051		. SLEEVE ASSY- (LIMITED)	E	1
-7U	315T4500-5053		. SLEEVE ASSY- (LIMITED)	E	1
-7V	315T4500-5055		. SLEEVE ASSY- (LIMITED)	E	1
-7W	315T4500-5057		. SLEEVE ASSY- (LIMITED)	E	1
-7X	315T4500-5059		. SLEEVE ASSY- (LIMITED)	E	1
-8	315T4500-5002		DELETED		

78-31-45

ILLUSTRATED PARTS LIST
01.1 Page 1080S
Jul 01/05

FIG. & ITEM	PART NO.	AIRLINE PART NUMBER	NOMENCLATURE 1234567	EFF CODE	QTY PER ASSY
01- -8A	315T4500-5004		.SLEEVE ASSY- (REPLD BY ITEMS 8C, 8D, 8G)	B	1
-8B	315T4500-5006		DELETED		
-8C	315T4500-5014		.SLEEVE ASSY- (REPLS ITEM 8A) (REPLD BY ITEMS 8D, 8G)	B	1
-8D	315T4500-5016		.SLEEVE ASSY- (REPLS ITEMS 8A, 8C) (REPLD BY ITEM 8G)	B	1
-8E	315T4500-5018		.SLEEVE ASSY- (LIMITED)	D	1
-8F	315T4500-5020		DELETED		
-8G	315T4500-5022		.SLEEVE ASSY- (REPLS ITEMS 8A, 8C, 8D)	B	1
-8H	315T4500-5024		DELETED		
-8J	315T4500-5026		.SLEEVE ASSY- (LIMITED)	D	1
-8K	315T4500-5028		DELETED		
-8L	315T4500-5034		.SLEEVE ASSY- (LIMITED)	D	1
-8M	315T4500-5036		.SLEEVE ASSY- (LIMITED)	F	1
-8N	315T4500-5038		.SLEEVE ASSY- (LIMITED)	F	1
-8P	315T4500-5042		.SLEEVE ASSY- (LIMITED)	F	1
-8Q	315T4500-5044		.SLEEVE ASSY- (LIMITED)	F	1
-8R	315T4500-5046		.SLEEVE ASSY- (LIMITED)	F	1
-8S	315T4500-5050		.SLEEVE ASSY- (LIMITED)	F	1
-8T	315T4500-5052		.SLEEVE ASSY- (LIMITED)	F	1
-8U	315T4500-5054		.SLEEVE ASSY- (LIMITED)	F	1
-8V	315T4500-5056		.SLEEVE ASSY- (LIMITED)	F	1
-8W	315T4500-5058		.SLEEVE ASSY- (LIMITED)	F	1
-8X	315T4500-5060		.SLEEVE ASSY- (LIMITED)	F	1
10	BACR15BA3AD		..RIVET- (SIZE DETERMINE ON INST)	A-F	4

78-31-45

 ILLUSTRATED PARTS LIST
 01.1 Page 1080T
 Jul 01/05

BOEING
COMPONENT
MAINTENANCE MANUAL

FIG. & ITEM	PART NO.	AIRLINE PART NUMBER	NOMENCLATURE 1234567	EFF CODE	QTY PER ASSY
01-13	F51636-3		..NUTPLATE- (V15653) (SPEC BACN10JA3CD) (OPT 102F177-3 (V72962)) (OPT BRF110C3D (V52828)) (OPT BRF170C3D (V52828)) (OPT NS202484-02 (V80539))	A-F	2
16	315T3504-3		..SEAL INSTL-DIAPH (USED ON ITEMS 7M, 7N, 7P, 7Q, 7R, 7S, 7T, 7V)	A,C,E	1
-16A	315T3504-7		..SEAL INSTL-DIAPH (USED ON ITEMS 7U, 7W, 7X)	E	1
-19	315T3504-4		..SEAL INSTL-DIAPH (USED ON ITEMS 8M, 8N, 8P, 8Q, 8R, 8S, 8T, 8V)	B,D,F	1
-19A	315T3504-8		..SEAL INSTL-DIAPH (USED ON ITEMS 8U, 8W, 8X)	F	1
22	315T3504-5		...SEAL- (MFD FROM RUBBER SECTION BAC1530-6 X 129.0 IN.) (USED ON ITEMS 16, 19)	A-F	1
-22A	315T3504-9		...SEAL- (MFD FROM RUBBER SECTION BAC1530-206 X 129.0 IN) (USED ON ITEMS 16A, 19A)	E,F	1
25	BACN30NE3-7		DELETED		
25A	BACB30NE3-7		...BOLT	A-F	37
28	AN960KD10L		...WASHER	A-F	37
31	315T3589-11		...RETAINER	A,C,E	1
-34	315T3589-12		...RETAINER	B,D,F	1
37	315T3589-13		...RETAINER	A,C,E	1
-40	315T3589-14		...RETAINER	B,D,F	1
43	315T3589-15		...SHIM- (LIMITED) (USED ON ITEM 16)	A,C,E	1
-43A	315T3589-19		...SHIM- (LIMITED) (USED ON ITEM 16)	A,C,E	1

78-31-45

FIG. & ITEM	PART NO.	AIRLINE PART NUMBER	NOMENCLATURE 1234567	EFF CODE	QTY PER ASSY
01- -46	315T3589-16		...SHIM- (LIMITED) (USED ON ITEM 19)	B,D,F	1
-46A	315T3589-20		...SHIM- (LIMITED) (USED ON ITEM 19)	B,D,F	1
49	315T3589-17		...SHIM- (LIMITED) (USED ON ITEM 16)	A,C,E	1
-49A	315T3589-21		...SHIM- (LIMITED) (USED ON ITEM 16)	A,C,E	1
-52	315T3589-18		...SHIM- (LIMITED) (USED ON ITEM 19)	B,D,F	1
-52A	315T3589-22		...SHIM- (LIMITED) (USED ON ITEM 19)	B,D,F	1
55	BACB30NM3C4		..BOLT	A-F	6
58	AN960-10L		..WASHER	A-F	6
61	BRH10C3M		..NUT- (V52828) (SPEC BACN10JC3CM) (OPT T6C1032JM (V11815)) (OPT 97E02 (V80539)) (OPT 109LH9075-3W (V72962)) (OPT VN303D02 (V92215)) (OPT NS202101SE02 (V80539)) (OPT H01-3BAC (V15653))	A-F	6

78-31-45

 ILLUSTRATED PARTS LIST
 01.1 Page 1080V
 Jul 01/05

BOEING
COMPONENT
MAINTENANCE MANUAL

FIG. & ITEM	PART NO.	AIRLINE PART NUMBER	NOMENCLATURE 1234567	EFF CODE	QTY PER ASSY
01-					
62	ASPF FEU08-20AC		DELETED		
64	BACS40R10D40F		..SHIM	A-F	6
67	315T3563-4		..PANEL ASSY-FWD OUTER COWL BUMPER	A-F	3
70	315T3563-3		DELETED		
73	2ASPPPD T613		DELETED		
73A	2ASPPPD T06-13		...PIN-(V17446)	A-F	2
76	2ASPPSD T6		DELETED		
76A	2ASPPSD T06		...SLEEVE-(V17446)	A-F	2
79	ASPLC2AC6		DELETED		
79A	ASPLC2AC06		...COLLAR-LOCK (V17446)	A-F	2
82	315T3563-5		...CHANNEL	A-F	1
85	315T3563-6		...BUMPER	A-F	1
88	BACB30NM3K6		..BOLT	A-F	2
91	BACB30NN3K8		..BOLT	A-F	2
94	AN960-10L		..WASHER	A-F	4
97	BACN10GW3AS		..NUT-(OPT ITEM 97A)	A-F	2
-97A	BACN10GW3A		..NUT-(OPT ITEM 97)	A-F	2
100	NAS1805-3		..NUT	A-F	2
103	BACS40R20C30F		..SHIM	A-F	AR
106	315T3506-36		..SLIDER ASSY-AUX (315T3506-44 MAY REPLACE 315T3506-36 FOR JT9D AND PW4000 ENGINE THRUST REVERSERS ONLY) (USED ON ITEM 7A)	A	1

78-31-45

FIG. & ITEM	PART NO.	AIRLINE PART NUMBER	NOMENCLATURE 1234567	EFF CODE	QTY PER ASSY
01- -106A	315T3506-44		..SLIDER ASSY-AUX (315T3506-44 MAY REPLACE 315T3506-36 FOR JT9D AND PW4000 ENGINE THRUST REVERSERS ONLY) (USED ON ITEMS 7C, 7D, 7G, 7T, 7U, 7V) (PRE SB 747-78A2164) (PRE SB 767-78A0079)	A,C,E	1
-106B	315T3506-48		..SLIDER ASSY-AUX (USED ON ITEMS 7W, 7X) (PRE SB 747-78A2164) (PRE SB 767-78A0079)	E	1
-106C	315T3506-48		..SLIDER ASSY-AUX (USED ON ITEMS 7C, 7D, 7G, 7T, 7U, 7V) (POST SB 747-78A2164) (POST SB 767-78A0079)	A,C,E	1
-106D	315T4402-25		..SLIDER-REWORKED (USED ON ITEMS 7W, 7X) (POST SB 747-78A2164) (POST SB 767-78A0079)	E	1
-109	315T3506-35		..SLIDER ASSY-AUX (315T3506-43 MAY REPLACE 315T3506-35 FOR JT9D AND PW4000 ENGINE THRUST REVERSERS ONLY) (USED ON ITEM 8A)	B	1
-109A	315T3506-43		..SLIDER ASSY-AUX (315T3506-43 MAY REPLACE 315T3506-35 FOR JT9D AND PW4000 ENGINE THRUST REVERSERS ONLY) (USED ON ITEMS 8C, 8D, 8G, 8T, 8U, 8V) (PRE SB 747-78A2164) (PRE SB 767-78A0079)	B,D,F	1

78-31-45

 ILLUSTRATED PARTS LIST
 01.1 Page 1080X
 Jul 01/05



BOEING
COMPONENT
MAINTENANCE MANUAL

FIG. & ITEM	PART NO.	AIRLINE PART NUMBER	NOMENCLATURE 1234567	EFF CODE	QTY PER ASSY
01- -109B	315T3506-47		..SLIDER ASSY-AUX (USED ON ITEMS 8W, 8X) (PRE SB 747-78A2164) (PRE SB 767-78A0079)	F	1
-109C	315T3506-47		..SLIDER ASSY-AUX (USED ON ITEMS 8C, 8D, 8G, 8T, 8U, 8V) (POST SB 747-78A2164) (POST SB 767-78A0079)	B,D,F	1
-109D	315T4402-26		..SLIDER ASSY-AUX (USED ON ITEMS 8W, 8X) (POST SB 747-78A2164) (POST SB 767-78A0079)	F	1
112	315T3506-37		...SLIDER- (USED ON ITEM 109)	B	1
-112A	315T3506-45		...SLIDER- (USED ON ITEM 109A)	B,D,F	1
-112B	315T3506-53		...SLIDER- (USED ON ITEM 109B)	F	1
-115	315T3506-38		...SLIDER- (USED ON ITEM 106)	A	1
-115A	315T3506-46		...SLIDER- (USED ON ITEM 106A)	A,C,E	1
-115B	315T3506-54		...SLIDER- (USED ON ITEM 106B)	E	1
118	315T3506-34		...TAPE-RULON J (USED ON ITEMS 106, 106A, 109, 109A)	A-F	1
-118A	315T3506-49		...TAPE-RULON J (USED ON ITEMS 106B, 109B)	E,F	1
121	BACB30NM3K6		..BOLT	A-F	2
124	BACB30NN3K8		..BOLT	A-F	4
127	AN960-10L		..WASHER	A-F	6
130	BACN10GW3AS		..NUT- (OPT ITEM 130A)	A-F	2

78-31-45

ILLUSTRATED PARTS LIST
01.1 Page 1080Y
Jul 01/05

FIG. & ITEM	PART NO.	AIRLINE PART NUMBER	NOMENCLATURE 1234567	EFF CODE	QTY PER ASSY
01- -130A	BACN10GW3A		..NUT- (OPT ITEM 130)	A-F	2
133	NAS1805-3		..NUT	A-F	4
136	BACS40R29C30F		..SHIM	A-F	AR
139	315T3506-39		..SLIDER ASSY-AUX (USED ON ITEMS 7A, 7C, 7D, 7E, 7G, 7J, 7L, 7M, 7N, 7P, 7Q, 7R, 7S, 7T, 7U, 7V) (PRE SB 747-78A2164) (PRE SB 767-78A0079)	A,C,E	1
-139A	315T3506-51		..SLIDER ASSY-AUX (USED ON ITEMS 7W, 7X) (PRE SB 747-78A2164) (PRE SB 767-78A0079)	E	1
-139B	315T3506-51		..SLIDER ASSY-AUX (USED ON ITEMS 7A, 7C, 7D, 7E, 7G, 7J, 7L, 7M, 7N, 7P, 7Q, 7R, 7S, 7T, 7U, 7V) (POST SB 747-78A2164) (POST SB 767-78A0079)	A,C,E	1
-139C	315T4402-27		..SLIDER-REWORKED (USED ON ITEMS 7W, 7X) (POST SB 747-78A2164) (POST SB 767-78A0079)	E	1
-142	315T3506-40		..SLIDER ASSY-AUX (USED ON ITEMS 8A, 8C, 8D, 8E, 8G, 8J, 8L, 8M, 8N, 8P, 8Q, 8R, 8S, 8T, 8U, 8V) (PRE SB 747-78A2164) (PRE SB 767-78A0079)	B,D,F	1

78-31-45

 ILLUSTRATED PARTS LIST
 01.1 Page 1080Z
 Jul 01/05

 **BOEING**
COMPONENT
MAINTENANCE MANUAL

FIG. & ITEM	PART NO.	AIRLINE PART NUMBER	NOMENCLATURE 1234567	EFF CODE	QTY PER ASSY
01- -142A	315T3506-52		..SLIDER ASSY-AUX (USED ON ITEMS 8W, 8X) (PRE SB 747-78A2164) (PRE SB 767-78A0079)	F	1
-142B	315T3506-52		..SLIDER ASSY-AUX (USED ON ITEMS 8A, 8C, 8D, 8E, 8G, 8J, 8L, 8M, 8N, 8P, 8Q, 8R, 8S, 8T, 8U, 8V) (POST SB 747-78A2164) (POST SB 767-78A0079)	B,D,F	1
-142C	315T4402-28		..SLIDER-REWORKED (USED ON ITEMS 8W, 8X) (POST SB 747-78A2164) (POST SB 767-78A0079)	F	1
145	315T3506-41		...SLIDER- (USED ON ITEM 139)	A,C,E	1
-145A	315T3506-55		...SLIDER- (USED ON ITEM 139A)	E	1
-148	315T3506-42		...SLIDER- (USED ON ITEM 142)	B,D,F	1
-148A	315T3506-56		...SLIDER- (USED ON ITEM 142A)	F	1
151	315T3506-33		...TAPE-RULON J (USED ON ITEMS 139, 142)	A-F	1
-151A	315T3506-50		...TAPE-RULON J (USED ON ITEMS 139A, 142A)	E,F	1
154	BACB30VF7K2		..BOLT	A-F	3
157	BACB30VF8K2		..BOLT	A-F	1
162	ASPF FEU08-20AC		..PIN- (V17446)	A-F	79
163	ASPFSDT8		..SLEEVE- (V17446)	A-F	79

78-31-45

ILLUSTRATED PARTS LIST
01.1 Page 1081
Jul 01/05

FIG. & ITEM	PART NO.	AIRLINE PART NUMBER	NOMENCLATURE 1234567	EFF CODE	QTY PER ASSY
01-166	ASPLC2AC8		..COLLAR-LOCKING (V17446)	A-F	79
169	BACS40R12B480F		..SHIM	A-F	3
172	315T3562-11		DELETED		
172A	315T3562-13		..PANEL ASSY-OUTER COWL	A,C,E	1
-172B	315T3562-17		..PANEL ASSY-OUTER COWL (USED ON ITEMS 7T, 7U, 7V, 7W)	E	1
-172C	315T3562-19		..PANEL ASSY-OUTER COWL (USED ON ITEM 7X)	E	1
-175	315T3562-12		DELETED		
-175A	315T3562-14		..PANEL ASSY-OUTER COWL	B,D,F	1
-175B	315T3562-18		..PANEL ASSY-OUTER COWL (USED ON ITEMS 8T, 8U, 8V, 8W)	F	1
-175C	315T3562-20		..PANEL ASSY-OUTER COWL (USED ON ITEM 8X)	F	1
178	HL523AZ8-18		...BOLT- (V56878) (SPEC BACB30NZ8K18) (OPT HL523AZ8-18 (VOPTK6)) (OPT L804-8K18 (V06725)) (OPT HL523AZ8-18 (V92215)) (OPT HL523AZ8-18 (V73197)) (OPT HL523AZ8-18 (V97928)) (OPT HL523AZ8-18 (V60516)) (OPT HL523AZ8-18 (V06725))	A-F	4

78-31-45

 ILLUSTRATED PARTS LIST
 01.1 Page 1082
 Jul 01/05

 **BOEING**
COMPONENT
MAINTENANCE MANUAL

FIG. & ITEM	PART NO.	AIRLINE PART NUMBER	NOMENCLATURE 1234567	EFF CODE	QTY PER ASSY
01-180	HL523AZ8-19		...BOLT- (V56878) (SPEC BACB30NZ8K19) (OPT HL523AZ8-19 (V92215)) (OPT L804-8K19 (V06725)) (OPT HL523AZ8-19 (V60516)) (OPT HL523AZ8-19 (V0PTK6)) (OPT HL523AZ8-19 (V73197)) (OPT HL523AZ8-19 (V97928)) (OPT HL523AZ8-19 (V06725))	A-F	2
181	HL523AZ8-16		...BOLT- (V56878) (SPEC BACB30NZ8K16) (OPT HL523AZ8-16 (V0PTK6)) (OPT L804-8K16 (V06725)) (OPT HL523AZ8-16 (V92215)) (OPT HL523AZ8-16 (V73197)) (OPT HL523AZ8-16 (V97928)) (OPT HL523AZ8-16 (V60516)) (OPT HL523AZ8-16 (V06725))	A-F	6

78-31-45

ILLUSTRATED PARTS LIST
01.1 Page 1082A
Jul 01/05

FIG. & ITEM	PART NO.	AIRLINE PART NUMBER	NOMENCLATURE 1234567	EFF CODE	QTY PER ASSY
01-182	HL523AZ8-17		...BOLT- (V56878) (SPEC BACB30NZ8K17) (OPT HL523AZ8-17 (V92215)) (OPT L804-8K17 (V06725)) (OPT HL523-17 (V06725)) (OPT HL523AZ8-17 (V73197)) (OPT HL523AZ8-17 (V97928))	A-F	8
184	HL79-8		...COLLAR- (V5M902) (SPEC BACC30M8) (OPT HL79-8 (V73197)) (OPT HL79-8 (V92215)) (OPT 66014-8 (V56878)) (OPT HL79-8 (V56878))	A-F	18
187	BACS40R11A27F		...SHIM	A-F	4
190	BACS40R11B27F		...SHIM	A-F	4
193	BACS40R11A42F		...SHIM	A-F	4
196	BACS40R11B42F		...SHIM	A-F	4
198	315T3562-15		...FILLER-RADIUS	A-D	18
-198A	315T3562-15		...FILLER-RADIUS (OPT ITEM 198B)	E,F	18
-198B	315T3562-21		...FILLER-RADIUS (OPT ITEM 198A)	E,F	18
199	315T3519-6		...FITTING-AUX SLIDER UPR ATTACHMENT	A,C,E	1
-202	315T3519-5		...FITTING-AUX SLIDER UPR ATTACHMENT	B,D,F	1
205	315T3519-10		DELETED		
205A	315T3520-10		...FITTING-AUX SLIDER LWR ATTACHMENT	A,C,E	1
-208	315T3519-9		DELETED		
-208A	315T3520-9		...FITTING-AUX SLIDER LWR ATTACHMENT	B,D,F	1

78-31-45

 ILLUSTRATED PARTS LIST
 01.1 Page 1082B
 Jul 01/05

 **BOEING**
COMPONENT
MAINTENANCE MANUAL

FIG. & ITEM	PART NO.	AIRLINE PART NUMBER	NOMENCLATURE 1234567	EFF CODE	QTY PER ASSY
01-211	HL523AZ5-14		...BOLT- (V56878) (SPEC BACB30NZ5K14) (OPT HL523AZ5-14 (V92215)) (OPT L804-5K14 (V06725)) (OPT HL523AZ5-14 (V0PTK6)) (OPT HL523AZ5-14 (V73197)) (OPT HL523AZ5-14 (V73197)) (OPT HL523AZ5-14 (V60516)) (OPT HL523AZ5-14 (V06725))	A-F	12
214	HL70-5		...COLLAR- (V5M902) (SPEC BACC30M5) (OPT HL70-5 (V73197)) (OPT HL70-5 (V92215)) (OPT 66014-5 (V56878)) (OPT HL70-5 (V56878))	A-F	12
217	315T3567-3		...FITTING-BUMPER SPRT	A-F	4
220	315T3574-1		...INSERT ASSY-PANEL, DEACTIVATION (USED ON ITEMS 172A, 172B, 175A, 175B) (PRE SB 767-78A0080) (PRE SB 747-78A2165) (PRE SB 767-78A0089)	A-F	1
-220A	315T3574-3		...INSERT ASSY-PANEL, DEACTIVATION (USED ON ITEMS 172C, 175C)	E,F	1

78-31-45

ILLUSTRATED PARTS LIST
01.1 Page 1082C
Jul 01/05

FIG. & ITEM	PART NO.	AIRLINE PART NUMBER	NOMENCLATURE 1234567	EFF CODE	QTY PER ASSY
01-221	315T4027-1		...INSERT ASSY-DEACTIVATION (USED ON ITEMS 172A, 172B, 175A, 175B) (POST SB 767-78A0080) (POST SB 747-78A2165) (POST SB 767-78A0089)	A-F	1
223	MS21209F8-10	INSERT- (USED ON ITEMS 220, 220A)	A-F	1
224	315T4027-4	FLANGE-INNER (USED ON ITEM 221)	A-F	1
226	315T3574-2	INSERT- (USED ON ITEM 220)	A-F	1
-226A	315T3574-4	INSERT- (USED ON ITEM 220A)	E,F	1
227	315T4027-2	FLANGE ASSY-OUTER (USED ON ITEM 221)	A-F	1
228	MS21209F8-10L	INSERT- (OPT ITEMS 228A, 228B)	A-F	1
-228A	MS21209F8-10	INSERT- (OPT ITEMS 228, 228B)	A-F	1
-228B	MS21209F8-10P	INSERT- (OPT ITEMS 228, 228A)	A-F	1
228M	315T4027-3	FLANGE	A-F	1
229	315T3565-1		...INSERT ASSY- DEACTIVATION	A-F	3
232	MS21209F7-10P	INSERT	A-F	1
235	315T3565-2	INSERT	A-F	1
238	ASPF8E8-18AC		DELETED		

78-31-45

 ILLUSTRATED PARTS LIST
 01.1 Page 1082D
 Jul 01/05

 **BOEING**
COMPONENT
MAINTENANCE MANUAL

FIG. & ITEM	PART NO.	AIRLINE PART NUMBER	NOMENCLATURE 1234567	EFF CODE	QTY PER ASSY
01- -238A -240	ASPF FDT8-18 ASPF FEU8-16AC		DELETED ...PIN- (V17446) (OPT ITEM 240A)	A-F	15
-240A	ASPF FDT8-16		...PIN- (V17446) (OPT ITEM 240)	A-F	15
241	ASPF SDT8		...SLEEVE- (V17446)	A-F	15
244	ASPL C2AC8		...COLLAR-LOCKING (V17446)	A-F	15
247	315T3562-4		...SHIM	A-F	3
250	HL523AZ8-7		...BOLT- (V56878) (SPEC BACB30NZ8K7) (OPT HL523AZ8-7 (VOPTK6)) (OPT L804-8K7 (V06725)) (OPT HL523AZ8-7 (V92215)) (OPT HL523AZ8-7 (V73197)) (OPT HL523AZ8-7 (V97928)) (OPT HL523AZ8-7 (V60516)) (OPT HL523AZ8-7 (V06725))	A-F	9

78-31-45

ILLUSTRATED PARTS LIST
01.1 Page 1082E
Jul 01/05

FIG. & ITEM	PART NO.	AIRLINE PART NUMBER	NOMENCLATURE 1234567	EFF CODE	QTY PER ASSY
01- 253 256	BACB30LR4-6 HL79-8		DELETED ...COLLAR- (V5M902) (SPEC BACC30M8) (OPT HL79-8 (V73197)) (OPT HL79-8 (V92215)) (OPT 66014-8 (V56878)) (OPT HL79-8 (V56878))	A-F	9
259	315T3562-3		...SHIM	A-F	3
262	BACR15BA3AD6		...RIVET	A-F	6
265	BR1000C4MK		DELETED		
265A	BRF100C4M		...NUTPLATE- (V52828) (SPEC BACN10KB4CFM) (OPT F2001-4 (V15653)) (OPT T8113C428C (V11815)) (OPT VN151D1-048 (V92215)) (OPT 109F9207-4 (V72962)) (OPT F2001-4 (V15653))	A-F	3
268	315T3561-6		...FITTING ASSY-SLEEVE ACTR ROD ATTACHMENT (OPT ITEM 268A)	A-F	3
-268A	315T3561-8		...FITTING ASSY-SLEEVE ACTR ROD ATTACHMENT (OPT ITEM 268)	A-F	3
271	BACB28AP05P022	BUSHING	A-F	1
-274	BACB28AM07B022A	BUSHING	A-F	1
277	315T3561-7	FITTING- (USED ON ITEM 268)	A-F	1
-277A	315T3561-9	FITTING- (USED ON ITEM 268A)	A-F	1

78-31-45

 ILLUSTRATED PARTS LIST
 01.1 Page 1082F
 Jul 01/05

BOEING
COMPONENT
MAINTENANCE MANUAL

FIG. & ITEM	PART NO.	AIRLINE PART NUMBER	NOMENCLATURE 1234567	EFF CODE	QTY PER ASSY
01-284	HL523AZ6-4		...BOLT- (V56878) (SPEC BACB30NZ6K4) (OPT HL523AZ6-4 (V06725)) (OPT L804-6K4 (V06725)) (OPT HL523AZ6-4 (V97928)) (OPT HL523AZ6-4 (V92215)) (OPT HL523AZ6-4 (V0PTK6)) (OPT HL523AZ6-4 (V60516)) (OPT HL523AZ6-4 (V73197))	A-F	27
287	HL79-6		...COLLAR- (V5M902) (SPEC BACC30M6) (OPT HL79-6 (V73197)) (OPT HL79-6 (V92215)) (OPT 66014-6 (V56878)) (OPT HL79-6 (V56878))	A-F	27
290	BACB30LR4-4		DELETED		
293	315T3562-5		...SHIM	A-F	3
296	315T3566-1		...DOUBLER ASSY-ACR ACCESS	A-F	3
299	BACR15BA3AD4	RIVET	A-F	8

78-31-45

ILLUSTRATED PARTS LIST
01.1 Page 1082G
Jul 01/05

FIG. & ITEM	PART NO.	AIRLINE PART NUMBER	NOMENCLATURE 1234567	EFF CODE	QTY PER ASSY
01-302	BRF200C4M	NUTPLATE- (V52828) (SPEC BACN10JR4CFM) (OPT F5001-4BAC (V15653)) (OPT NS103203SE048 (V80539)) (OPT T8092C428 (V11815)) (OPT VN152D1-048 (V92215)) (OPT 109F9201-4 (V72962))	A-F	4
305	315T3566-2	DOUBLER	A-F	1
-306	315T3562-5009		...PANEL ASSY-ACTR ACCESS (REPLD BY ITEM 306A)	A,C,E	1
-306A	315T3562-5011		...PANEL ASSY-ACTR ACCESS (REPLS ITEM 306) (USED ON ITEM 172A)	A,C,E	1
-307	315T3562-5010		...PANEL ASSY-ACTR ACCESS (REPLD BY ITEM 307A) (USED ON ITEM 175A)	B,D,F	1
-307A	315T3562-5012		...PANEL ASSY-ACTR ACCESS (REPLS ITEM 307) (USED ON ITEM 175A)	B,D,F	1
308	315T3575-1	PANEL ASSY- (USED ON ITEMS 306, 307) ATTACHING PARTS	A-F	3
309	BACB30LR4-6	BOLT	A-F	3

78-31-45

 ILLUSTRATED PARTS LIST
 01.1 Page 1082H
 Jul 01/05

 **BOEING**
COMPONENT
MAINTENANCE MANUAL

FIG. & ITEM	PART NO.	AIRLINE PART NUMBER	NOMENCLATURE 1234567	EFF CODE	QTY PER ASSY
01-310	BACB30LR4-4	BOLT -----*-----	A-F	12
311	315T3575-3	DOUBLER	A-F	1
314	315T3575-2	PANEL	A-F	1
315	315T3575-5		DELETED		
315A	315T3575-6	PANEL ASSY- (USED ON ITEMS 306A, 307A) ATTACHING PARTS		3
315G	BACB30NN4K6	BOLT	A-F	3
315P	BACB30NN4K4	BOLT -----*-----	A-F	12
316	315T3575-1		DELETED		
316G	315T3575-3		DELETED		
316P	315T3575-2		DELETED		
316Q	315T3575-6		...PANEL ASSY- (USED ON ITEMS 172B, 172C, 175B, 175C) ATTACHING PARTS	E,F	3
316S	BACB30NN4K6		...BOLT- (USED ON ITEMS 172B, 172C, 175B, 175C)	E,F	3
316U	BACB30NN4K4		...BOLT- (USED ON ITEMS 172B, 172C, 175B, 175C) -----*-----	E,F	12
317	AF5141-3-5		...RIVET- (V53551) (SPEC BACR15DR3A5) (OPT RV541A3-5 (V98996)) (OPT CCR264CS3-5TT (V11815))	A-F	24

78-31-45

ILLUSTRATED PARTS LIST
01.1 Page 1082I
Jul 01/05

FIG. & ITEM	PART NO.	AIRLINE PART NUMBER	NOMENCLATURE 1234567	EFF CODE	QTY PER ASSY
01-320	BRF200C4M		...NUTPLATE- (V52828) (SPEC BACN10JR4CFM) (OPT F5001-4BAC (V15653)) (OPT NS103203SE048 (V80539)) (OPT T8092C428 (V11815)) (OPT VN152D1-048 (V92215)) (OPT 109F9201-4 (V72962))	A-F	11
321	BRF200C4M		DELETED		
322	BRF200C4M		DELETED		
323	BRF100C4M		...NUTPLATE- (V52828) (SPEC BACN10KB4CFM) (OPT F2001-4 (V15653)) (OPT T8113C428C (V11815)) (OPT VN151D1-048 (V92215)) (OPT 109F9207-4 (V72962)) (OPT F2001-4 (V15653))	A-F	1
326	315T3564-25		DELETED		
326A	315T3564-27		...BOND ASSY-PNL (REPLD BY ITEM 326B) (USED ON ITEM 172A)	A,C,E	1
-326B	315T3564-31		...BOND ASSY-PNL (REPLS ITEM 326A) (REPLD BY ITEM 326C) (USED ON ITEM 172A)	A,C,E	1
-326C	315T3564-33		...BOND ASSY-PNL (REPLS ITEM 326B) (USED ON ITEM 172A)	A,C,E	1
-326D	315T3564-35		...BOND ASSY-PNL (USED ON ITEM 172B)	E	1
-326E	315T3564-41		...BOND ASSY-PNL (USED ON ITEM 172C)	E	1
-329	315T3564-26		DELETED		

78-31-45



BOEING
COMPONENT
MAINTENANCE MANUAL

FIG. & ITEM	PART NO.	AIRLINE PART NUMBER	NOMENCLATURE 1234567	EFF CODE	QTY PER ASSY
01- -329A	315T3564-28		...BOND ASSY-PNL (REPLD BY ITEM 329B) (USED ON ITEM 175A)	B,D,F	1
-329B	315T3564-32		...BOND ASSY-PNL (REPLS ITEM 329A) (REPLD BY ITEM 329C) (USED ON ITEM 175A)	B,D,F	1
-329C	315T3564-34		...BOND ASSY-PNL (REPLS ITEM 329B) (USED ON ITEM 175A)	B,D,F	1
-329D	315T3564-36		...BOND ASSY-PNL (USED ON ITEM 175B)	F	1
-329E	315T3564-42		...BOND ASSY-PNL (USED ON ITEM 175C)	F	1
332	ASPPFDT8-9		..PIN- (V17446)	A,B	2
-332A	ASPPFDT08-8		DELETED		
-332B	ASPPFDT08-08		..PIN- (V17446)	C-F	2
334	ASPPFDT08-8		DELETED		
334A	ASPPFDT8-10		..PIN- (V17446)	A,B	2
-334B	ASPPFDT08-08		..PIN- (V17446)	C-F	2
335	ASPPFDT8-10		..PIN- (V17446)	A,B	2
-335A	ASPPFDT08-10		..PIN- (V17446)	C-F	2
338	ASPPFDT8-13		..PIN- (V17446)	A,B	8
-338A	ASPPFDT08-13		.PIN- (V17446)	C-F	8
341	ASPPFDT8-14		..PIN- (V17446)	A,B	4
-341A	ASPPFDT08-14		.PIN- (V17446)	C-F	4
344	ASPPFDT8-16		..PIN- (V17446)	A,B	2
-344A	ASPPFDT08-16		.PIN- (V17446)	C-F	2
347	ASPPFDT8-17		..PIN- (V17446)	A,B	4
-347A	ASPPFDT08-17		.PIN- (V17446)	C-F	4

78-31-45

ILLUSTRATED PARTS LIST
01.1 Page 1082K
Jul 01/05

FIG. & ITEM	PART NO.	AIRLINE PART NUMBER	NOMENCLATURE 1234567	EFF CODE	QTY PER ASSY
01-350	ASPF FDT8-19		..PIN- (V17446)	A,B	2
-350A	ASPF FDT08-19		.PIN- (V17446)	C-F	2
353	ASPF FDT8-20		..PIN- (V17446)	A,B	2
-353A	ASPF FDT08-20		.PIN- (V17446)	C-F	2
356	ASPF FDT8-23		..PIN- (V17446)	A,B	2
-356A	ASPF FDT08-23		.PIN- (V17446)	C-F	2
359	ASPF FDT8-25		..PIN- (V17446)	A,B	4
-359A	ASPF FDT08-25		.PIN- (V17446)	C-F	4
360	2MAFF FDT08-17		.PIN- (V98524) (USED ON ITEMS 7A, 7C, 7D, 7E, 7G, 7J, 7L, 7M, 7N, 7P, 7Q, 7R, 7S, 7T, 8A, 8C, 8D, 8E, 8G, 8J, 8L, 8M, 8N, 8P, 8Q, 8R, 8S, 8T)	A-F	18
-360A	ASP100 FDT08-17		.PIN- (V17446) (USED ON ITEMS 7U, 7V, 7W, 7X, 8U, 8V, 8W, 8X)	E,F	18
362	ASPF SDT8		..SLEEVE- (V17446)	A,B	52

78-31-45

 ILLUSTRATED PARTS LIST
 01.1 Page 1082L
 Jul 01/05



BOEING
COMPONENT
MAINTENANCE MANUAL

FIG. & ITEM	PART NO.	AIRLINE PART NUMBER	NOMENCLATURE 1234567	EFF CODE	QTY PER ASSY
01- -362A	ASPFSDT08		. SLEEVE- (V17446)	C-F	52
365	ASPLC2AC8		.. COLLAR-LOCKING (V17446)	A-F	52
368	BACB30VF4K5		.. BOLT	A-F	14
371	AN960JD416		.. WASHER	A-F	14
374	BRH10C4M		.. NUT- (V52828) (SPEC BACN10JC4CM) (OPT T6C428JM (V11815)) (OPT 97E48 (V80539)) (OPT 109LH9075-4W (V72962)) (OPT VN303D048 (V92215)) (OPT 9NS202101SE048 (VA8053)) (OPT H01-4BAC (V15653))	A-F	14
377	BACS40R14B195F		.. SHIM	A-F	AR
380	BACF3T0E12-14		DELETED		
380A	BACF3T04E12-14		.. FILLER	A,B	2
383	BACS40R14C18F		.. SHIM	A,B	AR
385	BACS40R14C94F		.. SHIM	C-F	AR
386	HL523AZ8-19		.. BOLT- (V56878) (SPEC BACB30NZ8K19) (OPT HL523AZ8-19 (V92215)) (OPT L804-8K19 (V06725)) (OPT HL523AZ8-19 (V60516)) (OPT HL523AZ8-19 (V0PTK6)) (OPT HL523AZ8-19 (V73197)) (OPT HL523AZ8-19 (V97928)) (OPT HL523AZ8-19 (V06725))	A,B	2

78-31-45

ILLUSTRATED PARTS LIST
01.1 Page 1082M
Jul 01/05

FIG. & ITEM	PART NO.	AIRLINE PART NUMBER	NOMENCLATURE 1234567	EFF CODE	QTY PER ASSY
01-386A	HL523AZ8-17		..BOLT- (V56878) (SPEC BACB30NZ8K17) (OPT HL523AZ8-17 (V92215)) (OPT L804-8K17 (V06725)) (OPT HL523-17 (V06725)) (OPT HL523AZ8-17 (V73197)) (OPT HL523AZ8-17 (V97928))	C-F	2
389	HL523AZ8-24		..BOLT- (V73197) (SPEC BACB30NZ8K24) (OPT L804-8K24 (V06725)) (OPT HL523AZ8-24 (V56878)) (OPT HL523AZ8-24 (V92215)) (OPT HL523AZ8-24 (V97928)) (OPT HL523AZ8-24 (V0PTK6)) (OPT HL523AZ8-24 (V60516)) (OPT HL523AZ8-24 (V06725))	A,B	2

78-31-45

 ILLUSTRATED PARTS LIST
 01.1 Page 1082N
 Jul 01/05

 **BOEING**
COMPONENT
MAINTENANCE MANUAL

FIG. & ITEM	PART NO.	AIRLINE PART NUMBER	NOMENCLATURE 1234567	EFF CODE	QTY PER ASSY
01-389A	HL523AZ8-22		..BOLT- (V06725) (SPEC BACB30NZ8K22) (OPT HL523AZ8-22 (V60516)) (OPT HL523AZ8-22 (V0PTK6)) (OPT HL523AZ8-22 (V97928)) (OPT HL523AZ8-22 (V92215)) (OPT HL523AZ8-22 (V73197)) (OPT HL523AZ8-22 (V56878)) (OPT L804-8K22 (V06725))	C-F	2
392	HL523AZ8-18		..BOLT- (V56878) (SPEC BACB30NZ8K18) (OPT HL523AZ8-18 (V0PTK6)) (OPT L804-8K18 (V06725)) (OPT HL523AZ8-18 (V92215)) (OPT HL523AZ8-18 (V73197)) (OPT HL523AZ8-18 (V97928)) (OPT HL523AZ8-18 (V60516)) (OPT HL523AZ8-18 (V06725))	A-F	2

78-31-45

ILLUSTRATED PARTS LIST
01.1 Page 10820
Jul 01/05

FIG. & ITEM	PART NO.	AIRLINE PART NUMBER	NOMENCLATURE 1234567	EFF CODE	QTY PER ASSY
01-395	HL523AZ8-17		..BOLT- (V56878) (SPEC BACB30NZ8K17) (OPT HL523AZ8-17 (V92215)) (OPT L804-8K17 (V06725)) (OPT HL523-17 (V06725)) (OPT HL523AZ8-17 (V73197)) (OPT HL523AZ8-17 (V97928))	A-F	10
398	HL523AZ8-22		..BOLT- (V06725) (SPEC BACB30NZ8K22) (OPT HL523AZ8-22 (V60516)) (OPT HL523AZ8-22 (V0PTK6)) (OPT HL523AZ8-22 (V97928)) (OPT HL523AZ8-22 (V92215)) (OPT HL523AZ8-22 (V73197)) (OPT HL523AZ8-22 (V56878)) (OPT L804-8K22 (V06725))	A-F	2

78-31-45

 ILLUSTRATED PARTS LIST
 01.1 Page 1082P
 Jul 01/05

 **BOEING**
COMPONENT
MAINTENANCE MANUAL

FIG. & ITEM	PART NO.	AIRLINE PART NUMBER	NOMENCLATURE 1234567	EFF CODE	QTY PER ASSY
01-401	HL79-8		..COLLAR- (V5M902) (SPEC BACC30M8) (OPT HL79-8 (V73197)) (OPT HL79-8 (V92215)) (OPT 66014-8 (V56878)) (OPT HL79-8 (V56878))	A-F	14
404	BRH10C08M		..NUT- (V52828) (SPEC BACN10JC08CM) (OPT T6C832JM (V11815)) (OPT 97E82 (V80539)) (OPT 109LH9075-82W (V72962)) (OPT VN303D82 (V92215)) (OPT NS202101SE82 (V80539)) (OPT H01-08BAC (V15653))	A,B	4
405	HL79-8		..COLLAR- (V5M902) (SPEC BACC30M8) (OPT HL79-8 (V73197)) (OPT HL79-8 (V92215)) (OPT 66014-8 (V56878)) (OPT HL79-8 (V56878))	C-F	4

78-31-45

ILLUSTRATED PARTS LIST
01.1 Page 1082Q
Jul 01/05

FIG. & ITEM	PART NO.	AIRLINE PART NUMBER	NOMENCLATURE 1234567	EFF CODE	QTY PER ASSY
01-					
407	315T4500-3		..FILLER-TAPERED	A,B	2
410	315T4500-4		..FILLER-TAPERED	A,B	2
413	315T4500-5		..FILLER-TAPERED	A-F	2
416	BACS40R10C10F		..SHIM	A,B	2
419	315T3500-3		..FILLER-RADIUS (USED ON ITEMS 7A, 7C, 7D, 7E, 7G, 7J, 7L, 7M, 7P, 8A, 8C, 8D, 8E, 8G, 8J, 8L, 8M)	A-F	2
422	315T4502-1		DELETED		
422A	315T4502-31		..BOND ASSY-ACOUSTIC PNL (USED ON ITEMS 7M, 7N, 7P, 7R)	A,C,E	1
-422B	315T4502-45		..BOND ASSY-ACOUSTIC PNL (USED ON ITEMS 7Q, 7S)	E	1
-422C	315T4502-55		..BOND ASSY-ACOUSTIC PNL (USED ON ITEMS 7T, 7U, 7V, 7W, 7X)	E	1
-425	315T4502-2		DELETED		
-425A	315T4502-32		..BOND ASSY-ACOUSTIC PNL (USED ON ITEMS 8M, 8N, 8P, 8R)	B,D,F	1
-425B	315T4502-46		..BOND ASSY-ACOUSTIC PNL (USED ON ITEMS 8Q, 8S)	F	1
-425C	315T4502-56		..BOND ASSY-ACOUSTIC PNL (USED ON ITEMS 8T, 8U, 8V, 8W, 8X)	F	1
428	NAS1835C4P		...INSERT	A-F	4
431	315T3500-11		..PLUG- (USED ON ITEMS 7A, 7C, 7D, 7E, 7G, 7J, 7L, 7M, 7N, 7P, 7R, 8A, 8C, 8D, 8E, 8G, 8J, 8L, 8M, 8R)	A-F	2

78-31-45

 ILLUSTRATED PARTS LIST
 01.1 Page 1082R
 Jul 01/05

 **BOEING**
COMPONENT
MAINTENANCE MANUAL

FIG. & ITEM	PART NO.	AIRLINE PART NUMBER	NOMENCLATURE 1234567	EFF CODE	QTY PER ASSY
01- -431A	315T4500-11		..PLUG- (OPT ITEM 431B) (USED ON ITEMS 7Q, 7S, 7T, 7U, 7V, 7W, 7X, 8Q, 8S, 8T, 8U, 8V, 8W, 8X)	E,F	2
-431B	315T3500-11		..PLUG- (OPT ITEM 431A) (USED ON ITEMS 7Q, 7S, 7T, 7U, 7V, 7W, 7X, 8Q, 8S, 8T, 8U, 8V, 8W, 8X)	E,F	2
434	HL11VAZ8-7		..BOLT- (V56878) (SPEC BACB30NW8K7) (OPT B30NW8K7 (V97928)) (OPT HL11VAZ8-7 (V73197)) (OPT HL11VAZ8-7 (V92215)) (OPT HL11VAZ8-7 (V97928)) (OPT L803-8K7 (V06725)) (OPT HL11VAZ8-7 (V0PTK6)) (OPT HL11VAZ8-7 (V60516))	A-F	6
437	HL11VAZ8-8		..BOLT- (V56878) (SPEC BACB30NW8K8) (OPT B30NW8K8 (V97928)) (OPT HL11VAZ8-8 (V73197)) (OPT HL11VAZ8-8 (V92215)) (OPT HL11VAZ8-8 (V97928)) (OPT L803-8K8 (V06725)) (OPT HL11VAZ8-8 (V0PTK6)) (OPT HL11VAZ8-8 (V60516))	A-F	4

78-31-45

ILLUSTRATED PARTS LIST
01.1 Page 1082S
Jul 01/05

FIG. & ITEM	PART NO.	AIRLINE PART NUMBER	NOMENCLATURE 1234567	EFF CODE	QTY PER ASSY
01-440	HL11VAZ8-11		..BOLT- (V60516) (SPEC BACB30NW8K11) (OPT B30NW8K11 (V97928)) (OPT HL11VAZ8-11 (V73197)) (OPT HL11VAZ8-11 (V92215)) (OPT HL11VAZ8-11 (V97928)) (OPT L803-8K11 (V06725)) (OPT HL11VAZ8-11 (V0PTK6)) (OPT HL11VAZ8-11 (V56878))	A-F	4
443	HL11VAZ8-13		..BOLT- (V60516) (SPEC BACB30NW8K13) (OPT B30NW8K13 (V97928)) (OPT HL11VAZ8-13 (V73197)) (OPT HL11VAZ8-13 (V92215)) (OPT HL11VAZ8-13 (V97928)) (OPT L803-8K13 (V06725)) (OPT HL11VAZ8-13 (V0PTK6)) (OPT HL11VAZ8-13 (V56878))	A-F	4
446	HL79-8		..COLLAR- (V5M902) (SPEC BACC30M8) (OPT HL79-8 (V73197)) (OPT HL79-8 (V92215)) (OPT 66014-8 (V56878)) (OPT HL79-8 (V56878))	A-F	18

78-31-45

 **BOEING**
COMPONENT
MAINTENANCE MANUAL

FIG. & ITEM	PART NO.	AIRLINE PART NUMBER	NOMENCLATURE 1234567	EFF CODE	QTY PER ASSY
01-449	HL11VAZ6-11		..BOLT- (V60516) (SPEC BACB30NW6K11) (OPT B30NW6K11 (V97928)) (OPT HL11VAZ6-11 (V73197)) (OPT HL11VAZ6-11 (V92215)) (OPT HL11VAZ6-11 (V97928)) (OPT L803-6K11 (V06725)) (OPT HL11VAZ6-11 (V0PTK6)) (OPT HL11VAZ6-11 (V56878))	A-F	12
452	HL11VAZ6-13		..BOLT- (V60516) (SPEC BACB30NW6K13) (OPT B30NW6K13 (V97928)) (OPT HL11VAZ6-13 (V73197)) (OPT HL11VAZ6-13 (V92215)) (OPT HL11VAZ6-13 (V97928)) (OPT L803-6K13 (V06725)) (OPT HL11VAZ6-13 (V0PTK6)) (OPT HL11VAZ6-13 (V56878))	A-F	2
455	HL79-6		..COLLAR- (V5M902) (SPEC BACC30M6) (OPT HL79-6 (V73197)) (OPT HL79-6 (V92215)) (OPT 66014-6 (V56878)) (OPT HL79-6 (V56878))	A-F	14

78-31-45

ILLUSTRATED PARTS LIST
01.1 Page 1082U
Jul 01/05

FIG. & ITEM	PART NO.	AIRLINE PART NUMBER	NOMENCLATURE 1234567	EFF CODE	QTY PER ASSY
01-458	HL11VAZ10-15		..BOLT- (V60516) (SPEC BACB30NW10K15) (OPT B30NW10K15 (V97928)) (OPT HL11VAZ10-15 (V73197)) (OPT HL11VAZ10-15 (V92215)) (OPT HL11VAZ10-15 (V97928)) (OPT L803-10K15 (V06725)) (OPT HL11VAZ10-15 (V0PTK6)) (OPT HL11VAZ10-15 (V56878))	A-F	6
461	HL79-10		..COLLAR- (V5M902) (SPEC BACC30M10) (OPT HL79-10 (V73197)) (OPT HL79-10 (V92215)) (OPT 66014-10 (V56878)) (OPT HL79-10 (V56878))	A-F	6
464	BACS40R17C127F		..SHIM	A-F	AR
467	BACS40R14C28F		..SHIM	A-F	AR
470	BACS40R14C240F		..SHIM	A-F	2
473	BACS40R17C130F		..SHIM	A-F	AR
476	315T3505-14		..SLIDER ASSY- (USED ON ITEM 7E)	A,C	1

78-31-45

 ILLUSTRATED PARTS LIST
 01.1 Page 1082V
 Jul 01/05

 **BOEING**
COMPONENT
MAINTENANCE MANUAL

FIG. & ITEM	PART NO.	AIRLINE PART NUMBER	NOMENCLATURE 1234567	EFF CODE	QTY PER ASSY
01- -476A	315T3505-16		..SLIDER ASSY- (USED ON ITEMS 7J, 7L, 7M, 7P)	C,E	1
-476B	315T3505-24		..SLIDER ASSY- (OPT ITEM 476C) (USED ON ITEMS 7N, 7R)	E	1
-476C	315T3505-30		..SLIDER ASSY- (OPT ITEM 476B) (USED ON ITEMS 7N, 7R)	E	1
-476D	315T3505-37		..SLIDER ASSY- (USED ON ITEMS 7Q, 7S, 7T, 7U, 7V, 7W, 7X)	E	1
-479	315T3505-13		..SLIDER ASSY- (USED ON ITEM 8E)	B,D	1
-479A	315T3505-15		..SLIDER ASSY- (USED ON ITEMS 8J, 8L, 8M, 8P)	D,F	1
-479B	315T3505-23		..SLIDER ASSY- (OPT ITEM 479C) (USED ON ITEMS 8N, 8R)	F	1
-479C	315T3505-29		..SLIDER ASSY- (OPT ITEM 479B) (USED ON ITEMS 8N, 8R)	F	1
-479D	315T3505-38		..SLIDER ASSY- (USED ON ITEMS 8Q, 8S, 8T, 8U, 8V, 8W, 8X)	F	1
482	315T3505-9		...TAPE	A-F	1
485	315T3505-4		...SLIDER- (USED ON ITEM 476)	A,C	1
-485A	315T3505-20		...SLIDER- (USED ON ITEM 476A)	C,E	1
-485B	315T3505-26		...SLIDER- (USED ON ITEM 476B)	E	1
-485C	315T3505-34		...SLIDER- (USED ON ITEM 476C)	E	1
-485D	315T3505-40		...SLIDER- (USED ON ITEM 476D)	E	1

78-31-45

ILLUSTRATED PARTS LIST
01.1 Page 1082W
Jul 01/05

FIG. & ITEM	PART NO.	AIRLINE PART NUMBER	NOMENCLATURE 1234567	EFF CODE	QTY PER ASSY
01- -488	315T3505-3		...SLIDER- (USED ON ITEM 479)	B,D	1
-488A	315T3505-19		...SLIDER- (USED ON ITEM 479A)	D,F	1
-488B	315T3505-25		...SLIDER- (USED ON ITEM 479B)	F	1
-488C	315T3505-33		...SLIDER- (USED ON ITEM 479C)	F	1
-488D	315T3505-39		...SLIDER- (USED ON ITEM 479D)	F	1
491	315T3505-1		..SLIDER ASSY- (USED ON ITEM 7E)	A,C	1
-491A	315T3505-17		..SLIDER ASSY- (USED ON ITEMS 7J, 7L, 7M, 7P)	C,E	1
-491B	315T3505-27		..SLIDER ASSY- (OPT ITEM 491C) (USED ON ITEMS 7N, 7R)	E	1
-491C	315T3505-31		..SLIDER ASSY- (OPT ITEM 491B) (USED ON ITEMS 7N, 7R)	E	1
-491D	315T3505-35		..SLIDER ASSY- (USED ON ITEMS 7Q, 7S, 7T, 7U, 7V, 7W, 7X)	E	1
-494	315T3505-2		..SLIDER ASSY- (USED ON ITEM 8E)	B,D	1
-494A	315T3505-18		..SLIDER ASSY- (USED ON ITEMS 8J, 8L, 8M, 8P)	D,F	1
-494B	315T3505-28		..SLIDER ASSY- (OPT ITEM 494C) (USED ON ITEMS 8N, 8R)	F	1
-494C	315T3505-32		..SLIDER ASSY- (OPT ITEM 494B) (USED ON ITEMS 8N, 8R)	F	1

78-31-45

 ILLUSTRATED PARTS LIST
 01.1 Page 1082X
 Jul 01/05

 **BOEING**
COMPONENT
MAINTENANCE MANUAL

FIG. & ITEM	PART NO.	AIRLINE PART NUMBER	NOMENCLATURE 1234567	EFF CODE	QTY PER ASSY
01- -494D	315T3505-36		..SLIDER ASSY- (USED ON ITEMS 8Q, 8S, 8T, 8U, 8V, 8W, 8X)	F	1
497	315T3505-9		...TAPE	A-F	1
500	BACB30LP4P4		...BOLT	A-F	2
503	315T3556-5		...BLOCK-LWR STOP	A-F	1
506	315T3505-3		...SLIDER- (USED ON ITEM 491)	A,C	1
-506A	315T3505-19		...SLIDER- (USED ON ITEM 491A)	C,E	1
-506B	315T3505-25		...SLIDER- (USED ON ITEM 491B)	E	1
-506C	315T3505-33		...SLIDER- (USED ON ITEM 491C)	E	1
-506D	315T3505-39		...SLIDER- (USED ON ITEM 491D)	E	1
-509	315T3505-4		...SLIDER- (USED ON ITEM 494)	B,D	1
-509A	315T3505-20		...SLIDER- (USED ON ITEM 494A)	D,F	1
-509B	315T3505-26		...SLIDER- (USED ON ITEM 494B)	F	1
-509C	315T3505-34		...SLIDER- (USED ON ITEM 494C)	F	1
-509D	315T3505-40		...SLIDER- (USED ON ITEM 494D)	F	1
512	BACB30MY6K5		..BOLT	A-F	2
515	L8006K6		..BOLT- (V06725) (SPEC BACB30MY6K6) (OPT HL10VAZ6-6 (VOPTK6))	A-F	4

78-31-45

ILLUSTRATED PARTS LIST
01.1 Page 1082Y
Jul 01/05

FIG. & ITEM	PART NO.	AIRLINE PART NUMBER	NOMENCLATURE 1234567	EFF CODE	QTY PER ASSY
01-518	HL79-6		..COLLAR- (V5M902) (SPEC BACC30M6) (OPT HL79-6 (V73197)) (OPT HL79-6 (V92215)) (OPT 66014-6 (V56878)) (OPT HL79-6 (V56878))	A-F	6
521	315T3500-5		..FILLER-RADIUS	A-F	2
522	315T4572-19		..FITTING ASSY-SLIDER ATTACH	F	1
-522A	315T4572-25		..FITTING ASSY-SLIDER ATTACH	E	1
-522H	315T4572-26		..FITTING ASSY-SLIDER ATTACH	F	1
522J	315T4572-20		..FITTING ASSY-SLIDER ATTACH	E	1
523	BACR15BA3AD		...RIVET- (SIZE DETERMINE ON INST)	E,F	6
523D	F5000-3BAC		...NUTPLATE- (V15653) (SPEC BACN10JR3F) (OPT NS103203-02 (V80539)) (OPT RMF9201-3 (V72962)) (OPT T8091S1032 (V11815)) (OPT VN152A1-02 (V92215)) (OPT BRF200A3 (V52828))	E,F	3

78-31-45

 ILLUSTRATED PARTS LIST
 01.1 Page 1082Z
 Jul 01/05

 **BOEING**
COMPONENT
MAINTENANCE MANUAL

FIG. & ITEM	PART NO.	AIRLINE PART NUMBER	NOMENCLATURE 1234567	EFF CODE	QTY PER ASSY
01-523J	315T4572-21		...FITTING- (USED ON ITEM 522)	F	1
-523K	315T4572-27		...FITTING- (OPT ITEM 523L) (USED ON ITEM 522A)	E	1
-523L	315T4572-33		...FITTING- (OPT ITEM 523K) (USED ON ITEM 522A)	E	1
523M	315T4572-22		...FITTING- (USED ON ITEM 522J)	E	1
-523N	315T4572-28		...FITTING- (OPT ITEM 523P) (USED ON ITEM 522H)	F	1
-523P	315T4572-34		...FITTING- (OPT ITEM 523N) (USED ON ITEM 522H)	F	1
524	315T4572-1		DELETED		
524A	315T4572-17		..FITTING ASSY-SLIDER ATTACH	A,B	1
-524B	315T4572-17		..FITTING ASSY-SLIDER ATTACH (OPT ITEM 524D) (USED ON ITEMS 7E, 7J, 7L, 8E, 8J)	C,D	1
-524C	315T4572-19		DELETED		
-524D	315T4572-20		..FITTING ASSY-SLIDER ATTACH (OPT ITEM 524B) (USED ON ITEMS 7E, 7J, 7L, 8E, 8J)	C,D	1

78-31-45

ILLUSTRATED PARTS LIST
01.1 Page 1083
Jul 01/05

FIG. & ITEM	PART NO.	AIRLINE PART NUMBER	NOMENCLATURE 1234567	EFF CODE	QTY PER ASSY
01- -524E	315T4572-17		..FITTING ASSY-SLIDER ATTACH (OPT ITEM 524F) (USED ON ITEM 8L)	D	1
-524F	315T4572-26		..FITTING ASSY-SLIDER ATTACH (OPT ITEM 524E) (USED ON ITEM 8L)	D	1
527 527A	315T4572-2 315T4572-18		DELETED ..FITTING ASSY-SLIDER ATTACH	A,B	1
-527B	315T4572-18		..FITTING ASSY-SLIDER ATTACH (OPT ITEM 527C) (USED ON ITEMS 7E, 7J, 8E, 8J, 8L)	C,D	1
-527C -527D	315T4572-20 315T4572-19		DELETED ..FITTING ASSY-SLIDER ATTACH (OPT ITEM 527B) (USED ON ITEMS 7E, 7J, 8E, 8J, 8L)	C,D	1
-527E	315T4572-18		..FITTING ASSY-SLIDER ATTACH (OPT ITEM 527F) (USED ON ITEM 7L)	C	1
-527F	315T4572-25		..FITTING ASSY-SLIDER ATTACH (OPT ITEM 527E) (USED ON ITEM 7L)	C	1

78-31-45

 ILLUSTRATED PARTS LIST
 01.1 Page 1084
 Jul 01/05

 **BOEING**
COMPONENT
MAINTENANCE MANUAL

FIG. & ITEM	PART NO.	AIRLINE PART NUMBER	NOMENCLATURE 1234567	EFF CODE	QTY PER ASSY
01-530	BACR15BA3AD		...RIVET- (SIZE DETERMINE ON INST)	A-D	6
533	F5000-3BAC		...NUTPLATE- (V15653) (SPEC BACN10JR3F) (OPT NS103203-02 (V80539)) (OPT RMF9201-3 (V72962)) (OPT T8091S1032 (V11815)) (OPT VN152A1-02 (V92215)) (OPT BRF200A3 (V52828))	A-D	3
536	315T4572-11		DELETED		
536A	315T4572-13		...BOND ASSY- (USED ON ITEMS 524A, 524B, 524E)	A-D	1
537	315T4572-21		DELETED		
537A	315T4572-22		...FITTING- (USED ON ITEM 524D)	C,D	1
-537B	315T4572-28		...FITTING- (OPT ITEM 537C) (USED ON ITEM 524F)	D	1
-537C	315T4572-34		...FITTING- (OPT ITEM 537B) (USED ON ITEM 524F)	D	1
539	315T4572-12		DELETED		
539A	315T4572-14		...BOND ASSY- (USED ON ITEMS 527A, 527B, 527E)	A-D	1
540	315T4572-22		DELETED		

78-31-45

ILLUSTRATED PARTS LIST
01.1 Page 1084A
Jul 01/05

FIG. & ITEM	PART NO.	AIRLINE PART NUMBER	NOMENCLATURE 1234567	EFF CODE	QTY PER ASSY
01-540A	315T4572-21		...FITTING- (USED ON ITEM 527D)	C,D	1
-540B	315T4572-27		...FITTING- (OPT ITEM 540C) (USED ON ITEM 527F)	C	1
-540C	315T4572-33		...FITTING- (OPT ITEM 540B) (USED ON ITEM 527F)	C	1
542	315T3572-1		DELETED		
542A	315T3572-11	FITTING- (USED ON ITEM 536A)	A-D	1
545	315T3572-2		DELETED		
545A	315T3572-12	FITTING- (USED ON ITEM 539A)	A-D	1

78-31-45

ILLUSTRATED PARTS LIST
01.1 Page 1084B
Jul 01/05

 **BOEING**
COMPONENT
MAINTENANCE MANUAL

FIG. & ITEM	PART NO.	AIRLINE PART NUMBER	NOMENCLATURE 1234567	EFF CODE	QTY PER ASSY
01-					
548	BACB30LE6-44		..BOLT	A,B	6
-548A	BACB30LE6-46		..BOLT	C-F	6
551	AN960-616		..WASHER	A-F	6
553	BACW10BP6CD		..WASHER	A-F	6
554	H39953-6		..NUT- (V15653) (SPEC BACN10HR6CS) (OPT 109LH9031-6 (V72962)) (OPT 67832AS624 (V56878)) (OPT BMN5024CPD3-6 (V97928)) (OPT BH00303-6 (V27238)) (OPT SL7059C624 (V11815)) (OPT BH003036 (V27238)) (OPT BMN5024CPD36 (V97928)) (OPT CR5908 (V62554)) (OPT H39953 (V15653)) (OPT SL705096 (V11815)) (OPT 109LH90316 (V72962)) (OPT 67832AS6 (V56878)) (OPT BH003026CS (V27238))	A-F	6
557	315T3593-5		..BUSHING- (PRE SB 767-78-0036)	A,B	12
-557A	315T3593-6		..BUSHING	C-F	12
-557B	315T3593-6		..BUSHING- (POST SB 767-78-0036)	A,B	12
560	315T3511-3		..LINK ASSY-FAN DRAG (USED ON ITEMS 7A, 7C, 8A, 8C)	A,B	6

78-31-45

ILLUSTRATED PARTS LIST
01.1 Page 1084C
Jul 01/05

FIG. & ITEM	PART NO.	AIRLINE PART NUMBER	NOMENCLATURE 1234567	EFF CODE	QTY PER ASSY
01- -560A	315T3511-5		..LINK ASSY-FAN DRAG (USED ON ITEMS 7D, 7G, 7S, 7T, 7U, 7V, 7W, 7X, 8D, 8G, 8S, 8T, 8U, 8V, 8W, 8X)	A-F	6
563	VTB04550		...BEARING ASSY- (V06710) (SPEC S302T001-302A) (OPT P21630 (V57606)) (OPT AMB6V4035 (V57606)) (FOR DETAILS SEE FIG. 80)	A-F	1
-563A	P21630		...BEARING ASSY- (V57606) (SPEC S302T001-302A) (OPT VTB04550 (V06710)) (OPT AMB6V4035 (V57606)) (FOR DETAILS SEE FIG. 80)	A-F	1
-563B	AMB6V4035		...BEARING ASSY- (V57606) (SPEC S302T001-302A) (OPT VTB04550 (V06710)) (OPT P21630 (V57606)) (FOR DETAILS SEE FIG. 80)	A-F	1

78-31-45

 ILLUSTRATED PARTS LIST
 01.1 Page 1084D
 Jul 01/05

 **BOEING**
COMPONENT
MAINTENANCE MANUAL

FIG. & ITEM	PART NO.	AIRLINE PART NUMBER	NOMENCLATURE 1234567	EFF CODE	QTY PER ASSY
01-566	315T3517-1		...BUSHING- (USED ON ITEM 560)	A,B	2
-566A	315T3517-5		...BUSHING- (USED ON ITEM 560A)	A-F	2
569	315T3511-4		...LINK-DRAG	A-F	1
572	NAS6704U18		..BOLT	A-F	12
575	BACW10BP4ACU		..WASHER	A-F	36
578	NAS1805-4		..NUT	A-F	12
579	315T4532-2		.CLIP- (USED ON ITEMS 7S, 7T, 7U, 7V, 7W, 7X, 8S, 8T, 8U, 8V, 8W, 8X)	E,F	6
581	315T3508-159		..DOOR ASSY-BLOCKER UPR (S315T310-7 T/W 2 BUSHINGS 315T3593-6 AND 1 BOLT BACB30LE6-46 REPLACE 315T3508-159 T/W 2 BUSHINGS 315T3593-5 AND 1 BOLT BACB30LE6-44 ONE-WAY I/W) (315T3508-161 T/W 2 BUSHINGS 315T3593-6 AND 1 BOLT BACB30LE6-46 REPLACE 315T3508-159 T/W 2 BUSHINGS 315T3593-5 AND 1 BOLT BACB30LE6-44 ONE-WAY I/W) (OPT ITEM 581S) (PRE SB 747-78-2105) (PRE SB 767-78-0036) (FOR DETAILS SEE FIG. 2)	A	1

78-31-45

ILLUSTRATED PARTS LIST
01.1 Page 1084E
Jul 01/05

FIG. & ITEM	PART NO.	AIRLINE PART NUMBER	NOMENCLATURE 1234567	EFF CODE	QTY PER ASSY
01-					
-581A	S315T310-2		DELETED		
-581B	212-1001-01		DELETED		
-581C	S315T310-7		DELETED		
-581D	S315T310-7		DELETED		
-581E	315T3508-161		..DOOR ASSY-BLOCKER UPR (315T3508-161 T/W 2 BUSHINGS 315T3593-6 AND 1 BOLT BACB30LE6-46 REPLACE 315T3508-159 T/W 2 BUSHINGS 315T3593-5 AND 1 BOLT BACB30LE6-44 ONE-WAY I/W) (OPT ITEM 581R) (USED ON ITEMS 7L, 7M, 7P, 7R) (POST SB 747-78-2105) (FOR DETAILS SEE FIG. 2)	C,E	1
-581F	S315T310-13		DELETED		
-581G	315T3508-165		..DOOR ASSY-BLOCKER UPR (OPT ITEM 581L) (USED ON ITEMS 7Q, 7S, 7T, 7V) (FOR DETAILS SEE FIG. 2)	E	1
-581H	S315T310-19		DELETED		
-581J	315T3508-161		..DOOR ASSY-BLOCKER UPR (315T3508-161 T/W 2 BUSHINGS 315T3593-6 AND 1 BOLT BACB30LE6-46 REPLACE 315T3508-159 T/W 2 BUSHINGS 315T3593-5 AND 1 BOLT BACB30LE6-44 ONE-WAY I/W) (USED ON ITEM 7N) (FOR DETAILS SEE FIG. 2)	E	1

78-31-45

 ILLUSTRATED PARTS LIST
 01.1 Page 1084F
 Jul 01/05

 **BOEING**
COMPONENT
MAINTENANCE MANUAL

FIG. & ITEM	PART NO.	AIRLINE PART NUMBER	NOMENCLATURE 1234567	EFF CODE	QTY PER ASSY
01- -581K	315T3508-161		..DOOR ASSY-BLOCKER UPR (315T3508-161 T/W 2 BUSHINGS 315T3593-6 AND 1 BOLT BACB30LE6-46 REPLACE 315T3508-159 T/W 2 BUSHINGS 315T3593-5 AND 1 BOLT BACB30LE6-44 ONE-WAY I/W) (POST SB 767-78-0036) (FOR DETAILS SEE FIG. 2)	A	1
-581L	212-1001-01		..DOOR ASSY-BLOCKER UPR (VK8856) (SPEC S315T310-19) (OPT ITEM 581G) (USED ON ITEMS 7Q, 7S, 7T, 7V)	E	1
-581M	315T3508-165		..DOOR ASSY-BLOCKER UPR (OPT ITEMS 581N, 581Q) (USED ON ITEMS 7U, 7W, 7X) (FOR DETAILS SEE FIG. 2)	E	1
-581N	212-1001-01		..DOOR ASSY-BLOCKER UPR (VK8856) (SPEC S315T310-19) (OPT ITEMS 581M, 581Q) (USED ON ITEMS 7U, 7W, 7X)	E	1
-581P -581Q	S315T310-24 212-1301-01		DELETED ..DOOR ASSY-BLOCKER UPR (VK8856) (SPEC S315T310-24) (OPT ITEMS 581M, 581N) (USED ON ITEMS 7U, 7W, 7X)	E	1

78-31-45

ILLUSTRATED PARTS LIST
01.1 Page 1084G
Jul 01/05

FIG. & ITEM	PART NO.	AIRLINE PART NUMBER	NOMENCLATURE 1234567	EFF CODE	QTY PER ASSY
01- -581R	21-1001-01		..DOOR ASSY-BLOCKER UPR (S315T310-7 T/W 2 BUSHINGS 315T3593-6 AND 1 BOLT BACB30LE6-46 REPLACE 315T3508-159 T/W 2 BUSHINGS 315T3593-5 AND 1 BOLT BACB30LE6-44 ONE-WAY I/W) (VK8856) (SPEC S315T310-7) (OPT ITEM 581E)	C,E	1
-581S	21-1001-01		..DOOR ASSY-BLOCKER UPR (S315T310-7 T/W 2 BUSHINGS 315T3593-6 AND 1 BOLT BACB30LE6-46 REPLACE 315T3508-159 T/W 2 BUSHINGS 315T3593-5 AND 1 BOLT BACB30LE6-44 ONE-WAY I/W) (VK8856) (SPEC S315T310-7) (OPT ITEM 581)	A	1
-584	315T3508-160		..DOOR ASSY-BLOCKER UPR (S315T310-8 T/W 2 BUSHINGS 315T3593-6 AND 1 BOLT BACB30LE6-46 REPLACE 315T3508-160 T/W 2 BUSHINGS 315T3593-5 AND 1 BOLT BACB30LE6-44 ONE-WAY I/W) (315T3508-162 T/W 2 BUSHINGS 315T3593-6 AND 1 BOLT BACB30LE6-46 REPLACE 315T3508-160 T/W 2 BUSHINGS 315T3593-5 AND 1 BOLT BACB30LE6-44 ONE-WAY I/W) (OPT ITEM 584S) (POST SB 747-78-2105) (PRE SB 767-78-0036) (FOR DETAILS SEE FIG. 2)	B	1
-584A	S315T310-3		DELETED		
-584B	212-1001-02		DELETED		
-584C	S315T310-8		DELETED		

78-31-45

 ILLUSTRATED PARTS LIST
 01.1 Page 1084H
 Jul 01/05

BOEING
COMPONENT
MAINTENANCE MANUAL

FIG. & ITEM	PART NO.	AIRLINE PART NUMBER	NOMENCLATURE 1234567	EFF CODE	QTY PER ASSY
01- -584D -584E	S315T310-8 315T3508-162		DELETED ..DOOR ASSY-BLOCKER UPR (315T3508-162 T/W 2 BUSHINGS 315T3593-6 AND 1 BOLT BACB30LE6-46 REPLACE 315T3508-160 T/W 2 BUSHINGS 315T3593-5 AND 1 BOLT BACB30LE6-44 ONE-WAY I/W) (OPT ITEM 584R) (USED ON ITEMS 8L, 8M, 8P, 8R) (POST SB 747-78-2105) (FOR DETAILS SEE FIG. 2)	D,F	1
-584F -584G	S315T310-14 315T3508-166		DELETED ..DOOR ASSY-BLOCKER UPR (OPT ITEM 584L) (USED ON ITEMS 8Q, 8S, 8T, 8V) (FOR DETAILS SEE FIG. 2)	F	1
-584H -584J	S315T310-20 315T3508-162		DELETED ..DOOR ASSY-BLOCKER UPR (315T3508-162 T/W 2 BUSHINGS 315T3593-6 AND 1 BOLT BACB30LE6-46 REPLACE 315T3508-160 T/W 2 BUSHINGS 315T3593-5 AND 1 BOLT BACB30LE6-44 ONE-WAY I/W) (USED ON ITEM 8N) (FOR DETAILS SEE FIG. 2)	F	1
-584K	315T3508-162		..DOOR ASSY-BLOCKER UPR (315T3508-162 T/W 2 BUSHINGS 315T3593-6 AND 1 BOLT BACB30LE6-46 REPLACE 315T3508-160 T/W 2 BUSHINGS 315T3593-5 AND 1 BOLT BACB30LE6-44 ONE-WAY I/W) (POST SB 767-78-0036)	B	1

78-31-45

ILLUSTRATED PARTS LIST
01.1 Page 1084I
Jul 01/05

FIG. & ITEM	PART NO.	AIRLINE PART NUMBER	NOMENCLATURE 1234567	EFF CODE	QTY PER ASSY
01- -584L	212-1001-02		..DOOR ASSY-BLOCKER UPR (VK8856) (SPEC S315T310-20) (OPT ITEM 584G) (USED ON ITEMS 8Q, 8S, 8T, 8V)	F	1
-584M	315T3508-166		..DOOR ASSY-BLOCKER UPR (OPT ITEMS 584N, 584Q) (USED ON ITEMS 8U, 8W, 8X) (FOR DETAILS SEE FIG. 2)	F	1
-584N	212-1001-02		..DOOR ASSY-BLOCKER UPR (VK8856) (SPEC S315T310-20) (OPT ITEMS 584M, 584Q) (USED ON ITEMS 8U, 8W, 8X)	F	1
-584P	S315T310-25		DELETED		
-584Q	212-1301-02		..DOOR ASSY-BLOCKER UPR (VK8856) (SPEC S315T310-25) (OPT ITEMS 584M, 584N) (USED ON ITEMS 8U, 8W, 8X)	F	1
-584R	21-1001-02		..DOOR ASSY-BLOCKER UPR (S315T310-8 T/W 2 BUSHINGS 315T3593-6 AND 1 BOLT BACB30LE6-46 REPLACE 315T3508-160 T/W 2 BUSHINGS 315T3593-5 AND 1 BOLT BACB30LE6-44 ONE-WAY I/W) (VK8856) (SPEC S315T310-8) (OPT ITEM 584E)	D,F	1

78-31-45

 ILLUSTRATED PARTS LIST
 01.1 Page 1084J
 Jul 01/05

 **BOEING**
COMPONENT
MAINTENANCE MANUAL

FIG. & ITEM	PART NO.	AIRLINE PART NUMBER	NOMENCLATURE 1234567	EFF CODE	QTY PER ASSY
01- -584S	21-1001-02		..DOOR ASSY-BLOCKER UPPER (S315T310-8 T/W 2 BUSHINGS 315T3593-6 AND 1 BOLT BACB30LE6-46 REPLACE 315T3508-160 T/W 2 BUSHINGS 315T3593-5 AND 1 BOLT BACB30LE6-44 ONE-WAY I/W) (VK8856) (SPEC S315T310-8) (OPT ITEM 584)	B	1
587	315T3507-72		..DOOR ASSY-BLOCKER COMMON (S315T310-6 T/W 2 BUSHINGS 315T3593-6 AND 1 EA BOLT BACB30LE6-46 I/W 315T3507-72 T/W 2 EACH BUSHING 315T3593-5 AND 1 EACH BOLT BACB30LE6-44) ((-73) 315T3507-73 T/W 2 BUSHINGS 315T3593-6 AND 1 EA BOLT BACB30LE6-46 I/W 315T3507-72 T/W 2 EA BUSHINGS 315T3593-5 AND 1 EACH BOLT BACB30LE6-44) (OPT ITEM 587S) (PRE SB 747-78-2105) (PRE SB 767-78-0036) (FOR DETAILS SEE FIG. 3)	A,B	4
-587A	S315T310-1		DELETED		
-587B	212-0001-01		DELETED		
-587C	S315T310-6		DELETED		
-587D	S315T310-6		DELETED		

78-31-45

ILLUSTRATED PARTS LIST
01.1 Page 1084K
Jul 01/05

FIG. & ITEM	PART NO.	AIRLINE PART NUMBER	NOMENCLATURE 1234567	EFF CODE	QTY PER ASSY
01- -587E	315T3507-73		..DOOR ASSY-BLOCKER COMMON ((-73) 315T3507-73 T/W 2 BUSHINGS 315T3593-6 AND 1 EA BOLT BACB30LE6-46 I/W 315T3507-72 T/W 2 EA BUSHINGS 315T3593-5 AND 1 EACH BOLT BACB30LE6-44) (OPT ITEM 587R) (USED ON ITEMS 7L, 7M, 7P, 7R, 8L, 8M, 8P, 8R) (POST SB 747-78-2105) (FOR DETAILS SEE FIG. 3)	C,F	4
-587F -587G	S315T310-12 315T3507-74		DELETED ..DOOR ASSY-BLOCKER COMMON (OPT ITEM 587L) (USED ON ITEMS 7Q, 7S, 7T, 7V, 8Q, 8S, 8T, 8V) (FOR DETAILS SEE FIG. 3)	E,F	4
-587H -587J	S315T310-18 315T3507-73		DELETED ..DOOR ASSY-BLOCKER COMMON ((-72) 315T3507-73 T/W 2 BUSHINGS 315T3593-6 AND 1 EA BOLT BACB30LE6-46 I/W 315T3507-72 T/W 2 EA BUSHINGS 315T3593-5 AND 1 EACH BOLT BACB30LE6-44) (USED ON ITEMS 7N, 8N) (FOR DETAILS SEE FIG. 3)	E,F	1
-587K	315T3507-73		..DOOR ASSY-BLOCKER COMMON ((-72) 315T3507-73 T/W 2 BUSHINGS 315T3593-6 AND 1 EA BOLT BACB30LE6-46 I/W 315T3507-72 T/W 2 EA BUSHINGS 315T3593-5 AND 1 EACH BOLT BACB30LE6-44) (PRE SB 767-78-0036) (FOR DETAILS SEE FIG. 3)	A,B	1

78-31-45

 ILLUSTRATED PARTS LIST
 01.1 Page 1084L
 Jul 01/05

 **BOEING**
COMPONENT
MAINTENANCE MANUAL

FIG. & ITEM	PART NO.	AIRLINE PART NUMBER	NOMENCLATURE 1234567	EFF CODE	QTY PER ASSY
01- -587L	212-0001-01		..DOOR ASSY-BLOCKER COMMON (VK8856) (SPEC S315T310-18) (OPT ITEM 587G) (USED ON ITEMS 7Q, 7S, 7T, 7V, 8Q, 8S, 8T, 8V)	E,F	1
-587M	315T3507-74		..DOOR ASSY-BLOCKER COMMON (OPT ITEMS 587N, 587Q) (USED ON ITEMS 7U, 7W, 7X, 8U, 8W, 8X) (FOR DETAILS SEE FIG. 3)	E,F	4
-587N	212-0001-01		..DOOR ASSY-BLOCKER COMMON (VK8856) (SPEC S315T310-18) (OPT ITEMS 587M, 587Q) (USED ON ITEMS 7U, 7W, 7X, 8U, 8W, 8X)	E,F	1
-587P	S315T310-23		DELETED		
-587Q	212-0301-01		..DOOR ASSY-BLOCKER COMMON (VK8856) (SPEC S315T310-23) (OPT ITEMS 587M, 587N) (USED ON ITEMS 7U, 7W, 7X, 8U, 8W, 8X)	E,F	4
-587R	21-0001-01		..DOOR ASSY-BLOCKER COMMON (S315T310-6 T/W 2 BUSHINGS 315T3593-6 AND 1 EA BOLT BACB30LE6-46 I/W 315T3507-72 T/W 2 EACH BUSHING 315T3593-5 AND 1 EACH BOLT BACB30LE6-44) (VK8856) (SPEC S315T310-6) (OPT ITEM 587E)	C-F	4

78-31-45

ILLUSTRATED PARTS LIST
01.1 Page 1084M
Jul 01/05

FIG. & ITEM	PART NO.	AIRLINE PART NUMBER	NOMENCLATURE 1234567	EFF CODE	QTY PER ASSY
01-587S	21-0001-01		..DOOR ASSY-BLOCKER COMMON (S315T310-6 T/W 2 BUSHINGS 315T3593-6 AND 1 EA BOLT BACB30LE6-46 I/W 315T3507-72 T/W 2 EACH BUSHING 315T3593-5 AND 1 EACH BOLT BACB30LE6-44) (VK8856) (SPEC S315T310-6) (OPT ITEM 587)	A,B	1
590	315T3509-111		..DOOR ASSY-BLOCKER LWR (S315T310-9 T/W 2 BUSHINGS 315T3593-6 AND 1 BOLT BACB30LE6-46 REPLACE 315T3509-111 T/W 2 BUSHINGS 315T3593-5 AND 1 BOLT BACB30LE6-44 ONE-WAY I/W) (315T3509-113 T/W 2 BUSHINGS 315T3593-6 AND 1 BOLT BACB30LE6-46 REPLACE 315T3509-111 T/W 2 BUSHINGS 315T3593-5 AND 1 BOLT BACB30LE6-44 ONE-WAY I/W) (OPT ITEM 590S) (PRE SB 747-78-2105) (PRE SB 767-78-0036) (FOR DETAILS SEE FIG. 4)	A	1
-590A	S315T310-4		DELETED		
-590B	212-2001-01		DELETED		
-590C	S315T310-9		DELETED		
-590D	S315T310-9		DELETED		

78-31-45

 ILLUSTRATED PARTS LIST
 01.1 Page 1084N
 Jul 01/05

BOEING
COMPONENT
MAINTENANCE MANUAL

FIG. & ITEM	PART NO.	AIRLINE PART NUMBER	NOMENCLATURE 1234567	EFF CODE	QTY PER ASSY
01- -590E	315T3509-113		..DOOR ASSY-BLOCKER LWR (315T3509-113 T/W 2 BUSHINGS 315T3593-6 AND 1 BOLT BACB30LE6-46 REPLACE 315T3509-111 T/W 2 BUSHINGS 315T3593-5 AND 1 BOLT BACB30LE6-44 ONE-WAY I/W) (OPT ITEM 590R) (USED ON ITEMS 7L, 7M, 7P, 7R) (POST SB 747-78-2105) (FOR DETAILS SEE FIG. 4)	C,E	1
-590F -590G	S315T310-15 315T3509-117		DELETED ..DOOR ASSY-BLOCKER LWR (OPT ITEM 590L) (USED ON ITEMS 7Q, 7S, 7T, 7V) (FOR DETAILS SEE FIG. 4)	E	1
-590H -590J	S315T310-21 315T3509-113		DELETED ..DOOR ASSY-BLOCKER LWR (315T3509-113 T/W 2 (BUSHINGS 315T3593-6 AND 1 BOLT BACB30LE6-46 REPLACE 315T3509-111 T/W 2 BUSHINGS 315T3593-5 AND 1 BOLT BACB30LE6-44 ONE-WAY I/W) (USED ON ITEM 7N) (FOR DETAILS SEE FIG. 4)	C,E	1
-590K	315T3509-113		..DOOR ASSY-BLOCKER LWR (315T3509-113 T/W 2 BUSHINGS 315T3593-6 AND 1 BOLT BACB30LE6-46 REPLACE 315T3509-111 T/W 2 BUSHINGS 315T3593-5 AND 1 BOLT BACB30LE6-44 ONE-WAY I/W) (POST SB 767-78-0036) (FOR DETAILS SEE FIG. 4)	A	1

78-31-45

ILLUSTRATED PARTS LIST
01.1 Page 10840
Jul 01/05

FIG. & ITEM	PART NO.	AIRLINE PART NUMBER	NOMENCLATURE 1234567	EFF CODE	QTY PER ASSY
01- -590L	212-2001-01		..DOOR ASSY-BLOCKER LWR (VK8856) (SPEC S315T310-21) (OPT ITEM 590G) (USED ON ITEMS 7Q, 7S, 7T, 7V)	E	1
-590M	315T3509-117		..DOOR ASSY-BLOCKER LWR (OPT ITEMS 590N, 590Q) (USED ON ITEMS 7U, 7W, 7X) (FOR DETAILS SEE FIG. 4)	E	1
-590N	212-2001-01		..DOOR ASSY-BLOCKER LWR (VK8856) (SPEC S315T310-21) (OPT ITEMS 590M, 590Q) (USED ON ITEMS 7U, 7W, 7X)	E	1
-590P	S315T310-26		DELETED		
-590Q	212-2301-01		..DOOR ASSY-BLOCKER LWR (VK8856) (SPEC S315T310-26) (OPT ITEMS 590M, 590N) (USED ON ITEMS 7U, 7W, 7X)	E	1
-590R	21-2001-01		..DOOR ASSY-BLOCKER LWR (S315T310-9 T/W 2 BUSHINGS 315T3593-6 AND 1 BOLT BACB30LE6-46 REPLACE 315T3509-111 T/W 2 BUSHINGS 315T3593-5 AND 1 BOLT BACB30LE6-44 ONE-WAY I/W) (VK8856) (SPEC S315T310-9) (OPT ITEM 590E)	C,E	1

78-31-45

 ILLUSTRATED PARTS LIST
 01.1 Page 1084P
 Jul 01/05

 **BOEING**
COMPONENT
MAINTENANCE MANUAL

FIG. & ITEM	PART NO.	AIRLINE PART NUMBER	NOMENCLATURE 1234567	EFF CODE	QTY PER ASSY
01- -590S	21-2001-01		..DOOR ASSY-BLOCKER UPR (S315T310-9 T/W 2 BUSHINGS 315T3593-6 AND 1 BOLT BACB30LE6-46 REPLACE 315T3509-111 T/W 2 BUSHINGS 315T3593-5 AND 1 BOLT BACB30LE6-44 ONE-WAY I/W) (VK8856) (SPEC S315T310-9) (OPT ITEM 590)	A	1
-593	315T3509-112		..DOOR ASSY-BLOCKER LWR (21-2001-02 T/W 2 BUSHINGS 315T3593-6 AND 1 BOLT BACB30LE6-46 REPLACE 315T3509-112 T/W 2 BUSHINGS 315T3593-5 AND 1 BOLT BACB30LE6-44 ONE-WAY I/W) (315T3509-114 T/W 2 BUSHINGS 315T3593-6 AND 1 BOLT BACB30LE6-46 REPLACE 315T3509-112 T/W 2 BUSHINGS 315T3593-5 AND 1 BOLT BACB30LE6-44 ONE-WAY I/W) (OPT ITEM 593S) (PRE SB 767-78-2105) (PRE SB 767-78-0036) (FOR DETAILS SEE FIG. 4)	B	1
-593A	S315T310-5		DELETED		
-593B	212-2001-02		DELETED		
-593C	S315T310-10		DELETED		
-593D	S315T310-10		DELETED		

78-31-45

ILLUSTRATED PARTS LIST
01.1 Page 1084Q
Jul 01/05

FIG. & ITEM	PART NO.	AIRLINE PART NUMBER	NOMENCLATURE 1234567	EFF CODE	QTY PER ASSY
01- -593E	315T3509-114		..DOOR ASSY-BLOCKER LWR (315T3509-114 T/W 2 BUSHINGS 315T3593-6 AND 1 BOLT BACB30LE6-46 REPLACE 315T3509-112 T/W 2 BUSHINGS 315T3593-5 AND 1 BOLT BACB30LE6-44 ONE-WAY I/W) (OPT ITEM 593R) (USED ON ITEMS 8L, 8M, 8P, 8R) (POST SB 747-78-2105) (FOR DETAILS SEE FIG. 4)	D,F	1
-593F -593G	S315T310-16 315T3509-118		DELETED ..DOOR ASSY-BLOCKER LWR (OPT ITEM 593L) (USED ON ITEMS 8Q, 8S, 8T, 8V) (FOR DETAILS SEE FIG. 4)	F	1
-593H -593J	S315T310-22 315T3509-114		DELETED ..DOOR ASSY-BLOCKER LWR (315T3509-114 T/W 2 BUSHINGS 315T3593-6 AND 1 BOLT BACB30LE6-46 REPLACE 315T3509-112 T/W 2 BUSHINGS 315T3593-5 AND 1 BOLT BACB30LE6-44 ONE-WAY I/W) (USED ON ITEM 8N) (FOR DETAILS SEE FIG. 4)	F	1
-593K	315T3509-114		..DOOR ASSY-BLOCKER LWR (315T3509-114 T/W 2 BUSHINGS 315T3593-6 AND 1 BOLT BACB30LE6-46 REPLACE 315T3509-112 T/W 2 BUSHINGS 315T3593-5 AND 1 BOLT BACB30LE6-44 ONE-WAY I/W) (POST SB 767-78-0036) (FOR DETAILS SEE FIG. 4)	B	1

78-31-45

 ILLUSTRATED PARTS LIST
 01.1 Page 1084R
 Jul 01/05

BOEING
COMPONENT
MAINTENANCE MANUAL

FIG. & ITEM	PART NO.	AIRLINE PART NUMBER	NOMENCLATURE 1234567	EFF CODE	QTY PER ASSY
01- -593L	212-2001-02		..DOOR ASSY-BLOCKER LWR (VK8856) (SPEC S315T310-22) (OPT ITEM 593G) (USED ON ITEMS 8Q, 8S, 8T, 8V)	F	1
-593M	315T3509-118		..DOOR ASSY-BLOCKER LWR (OPT ITEMS 593N, 593Q) (USED ON ITEMS 8U, 8W, 8X) (FOR DETAILS SEE FIG. 4)	F	1
-593N	212-2001-02		..DOOR ASSY-BLOCKER LWR (VK8856) (SPEC S315T310-22) (OPT ITEMS 593M, 593Q) (USED ON ITEMS 8U, 8W, 8X)	F	1
-593P -593Q	S315T310-27 212-2301-02		DELETED ..DOOR ASSY-BLOCKER LWR (VK8856) (SPEC S315T310-27) (OPT ITEMS 593M, 593N) (USED ON ITEMS 8U, 8W, 8X)	F	1
-593R	21-2001-02		..DOOR ASSY-BLOCKER LWR (21-2001-02 T/W 2 BUSHINGS 315T3593-6 AND 1 BOLT BACB30LE6-46 REPLACE 315T3509-112 T/W 2 BUSHINGS 315T3593-5 AND 1 BOLT BACB30LE6-44 ONE-WAY I/W) (V86831) (SPEC S315T310-10) (OPT ITEM 593E)	D,F	1

78-31-45

ILLUSTRATED PARTS LIST
01.1 Page 1084S
Jul 01/05

FIG. & ITEM	PART NO.	AIRLINE PART NUMBER	NOMENCLATURE 1234567	EFF CODE	QTY PER ASSY
01- -593S	21-2001-02		..DOOR ASSY-BLOCKER UPR (21-2001-02 T/W 2 BUSHINGS 315T3593-6 AND 1 BOLT BACB30LE6-46 REPLACE 315T3509-112 T/W 2 BUSHINGS 315T3593-5 AND 1 BOLT BACB30LE6-44 ONE-WAY I/W) (V86831) (SPEC S315T310-10) (OPT ITEM 593)	B	1
596	BACB30VF3K4		..BOLT	A-F	12
599	BACR15BA3AD		..RIVET- (SIZE DETERMINE ON INST)	A-F	24
602	BRF200C3M		..NUTPLATE- (V52828) (SPEC BACN10JR3CFM) (OPT F5001-3BAC (V15653)) (OPT NS103203SE02 (V80539)) (OPT T8092C1032 (V11815)) (OPT VN152D1-02 (V92215)) (OPT 109F9201-3 (V72962))	A-F	12
603	315T3557-1		..BUMPER ASSY-BLOCKER DOOR	A-F	12
604	315T3557-2		...WASHER- (OPT ITEM 604A)	A-F	1
-604A	BACW10EH10AY		...WASHER- (OPT ITEM 604)	A-F	1

78-31-45

 ILLUSTRATED PARTS LIST
 01.1 Page 1084T
 Jul 01/05

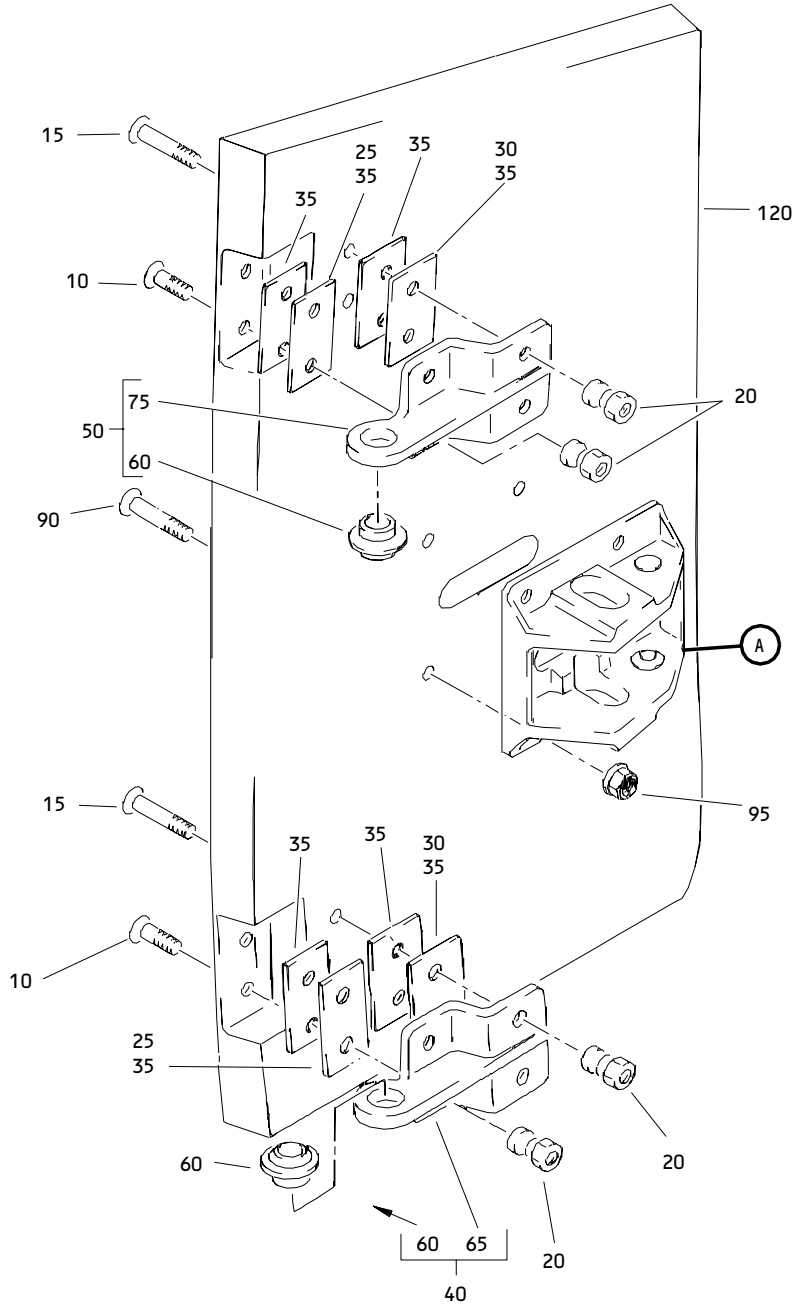
BOEING
COMPONENT
MAINTENANCE MANUAL

FIG. & ITEM	PART NO.	AIRLINE PART NUMBER	NOMENCLATURE 1234567	EFF CODE	QTY PER ASSY
01-604M	315T3557-3		...PAD	A-F	1
605	BACB30NN3K19		..BOLT	A-F	15
606	BACW10P166L		..WASHER- (SELECT FROM) (USED ON ITEMS 7G, 8G)	A-F	AR
-606A	BACW10P205L		..WASHER- (SELECT FROM) (USED ON ITEMS 7G, 8G)	A-F	AR
-606B	BACW10P304L		..WASHER- (SELECT FROM) (USED ON ITEMS 7G, 8G)	A-F	AR
608	315T3557-4		..PAD	A-F	AR
611	315T3557-5		..PAD	A-F	AR
614	315T3521-14		..PANEL ASSY-ACOUSTIC (USED ON ITEMS 7A, 8A)	A,B	5
-614A	315T3518-1		..PANEL-ACOUSTIC (USED ON ITEMS 7C, 7D, 7G, 7U, 7V, 7W, 7X, 8C, 8D, 8G, 8U, 8V, 8W, 8X)	A-F	5
-617	315T3501-13		..DIAPHRAGM ASSY-HINGE SPRT (USED ON ITEMS 7A, 7C, 7D, 7E, 7G, 7J, 7L, 7M, 7N, 7P, 7Q, 7R) (FOR DETAILS SEE FIG. 5)	A,C,E	1
-617A	315T3501-27		..DIAPHRAGM ASSY-HINGE SPRT (USED ON ITEMS 7S, 7T, 7U, 7V, 7W, 7X) (FOR DETAILS SEE FIG. 5)	E	1
-620	315T3501-14		..DIAPHRAGM ASSY-HINGE SPRT (USED ON ITEMS 8A, 8C, 8D, 8E, 8G, 8J, 8L, 8M, 8N, 8P, 8Q, 8R) (FOR DETAILS SEE FIG. 5)	B,D,F	1
-620A	315T3501-28		..DIAPHRAGM ASSY-HINGE SPRT (USED ON ITEMS 8S, 8T, 8U, 8V, 8W, 8X) (FOR DETAILS SEE FIG. 5)	F	1

- Item Not Illustrated

78-31-45

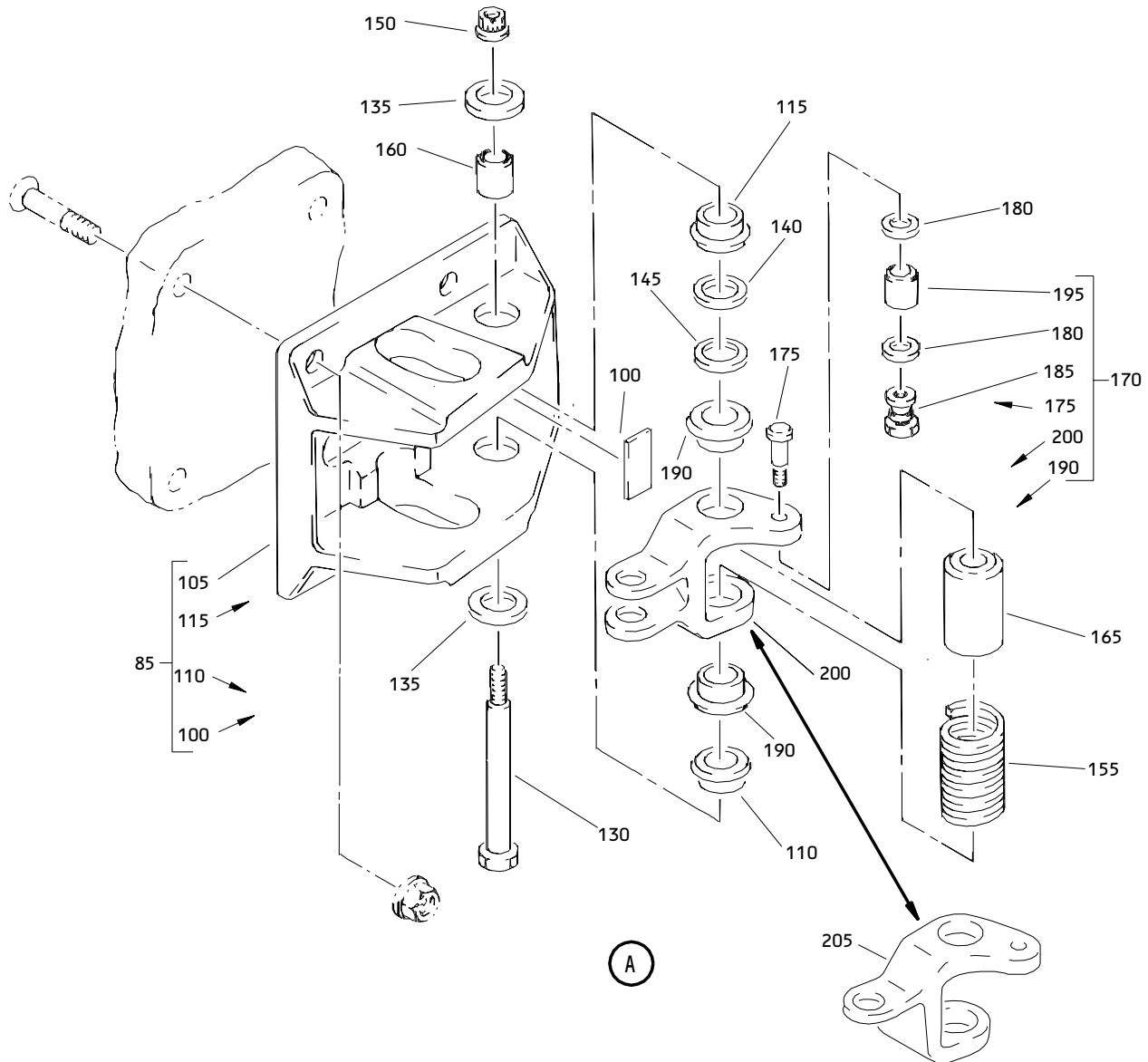
ILLUSTRATED PARTS LIST
01.1 Page 1084U
Jul 01/05



Thrust Reverser Upper Blocker Door Assembly
Figure 2 (Sheet 1)

78-31-45

ILLUSTRATED PARTS LIST
01.1 Page 1084W
Jul 01/05



Thrust Reverser Upper Blocker Door Assembly
 Figure 2 (Sheet 2)

78-31-45

ILLUSTRATED PARTS LIST
 01.1 Page 1084X
 Jul 01/05



BOEING
COMPONENT
MAINTENANCE MANUAL

FIG. & ITEM	PART NO.	AIRLINE PART NUMBER	NOMENCLATURE 1234567	EFF CODE	QTY PER ASSY
02- -1	315T3508-159		DOOR ASSY-THRUST REVERSER UPR BLOCKER (PRE SB 747-78-2105) (PRE SB 767-78-0036)	A	RF
-1A	315T3508-161		DOOR ASSY-THRUST REVERSER UPR BLOCKER	C	RF
-1B	315T3508-161		DOOR ASSY-THRUST REVERSER UPR BLOCKER (LIMITED) (POST SB 747-78-2105)	E	RF
-1C	315T3508-165		DOOR ASSY-THRUST REVERSER UPR BLOCKER (LIMITED)	E	RF
-1D	315T3508-161		DOOR ASSY-THRUST REVERSER UPR BLOCKER (POST SB 767-78-0036)	A	RF
-1E	315T3508-165		DOOR ASSY-THRUST REVERSER UPR BLOCKER	G-J	RF
-5	315T3508-160		DOOR ASSY-THRUST REVERSER UPR BLOCKER (PRE SB 747-78-2105) (POST SB 767-78-0036)	B	RF
-5A	315T3508-162		DOOR ASSY-THRUST REVERSER UPR BLOCKER	D	RF
-5B	315T3508-162		DOOR ASSY-THRUST REVERSER UPR BLOCKER (LIMITED) (POST SB 747-78-2105)	F	RF
-5C	315T3508-166		DOOR ASSY-THRUST REVERSER UPR BLOCKER (LIMITED)	F	RF
-5D	315T3508-162		DOOR ASSY-THRUST REVERSER UPR BLOCKER (POST SB 767-78-0036)	B	RF
-5E	315T3508-166		DOOR ASSY-THRUST REVERSER UPR BLOCKER	K-M	RF

78-31-45

ILLUSTRATED PARTS LIST
01.1 Page 1084Y
Jul 01/05

FIG. & ITEM	PART NO.	AIRLINE PART NUMBER	NOMENCLATURE 1234567	EFF CODE	QTY PER ASSY
02-10	HL523AZ6-5		.BOLT- (V56878) (SPEC BACB30NZ6K5) (OPT HL523AZ6-5 (V92215)) (OPT L804-6K5 (V06725)) (OPT HL523AZ6-5 (V06725)) (OPT HL523AZ6-5 (V73197)) (OPT HL523AZ6-5 (V73197)) (OPT HL523AZ6-5 (V60516)) (OPT HL523AZ6-5 (VOPTK6))		4
15	HL523AZ6-18		.BOLT- (V56878) (SPEC BACB30NZ6K18) (OPT HL523AZ6-18 (V06725)) (OPT L804-6K18 (V06725)) (OPT HL523AZ6-18 (V92215)) (OPT HL523AZ6-18 (V73197)) (OPT HL523AZ6-18 (V97928)) (OPT HL523AZ6-18 (VOPTK6)) (OPT HL523AZ6-18 (V60516))		4
20	HL79-6		.COLLAR- (V5M902) (SPEC BACC30M6) (OPT HL79-6 (V73197)) (OPT HL79-6 (V92215)) (OPT 66014-6 (V56878)) (OPT HL79-6 (V56878))		8

78-31-45

 ILLUSTRATED PARTS LIST
 01.1 Page 1084Z
 Jul 01/05

 **BOEING**
COMPONENT
MAINTENANCE MANUAL

FIG. & ITEM	PART NO.	AIRLINE PART NUMBER	NOMENCLATURE 1234567	EFF CODE	QTY PER ASSY
02-25	BACS40R10C22F		.SHIM- (QTY 4 ITEM 35 OPT TO QTY 1 ITEM 25 AND QTY 1 ITEM 30)		AR
30	BACS40R11C22F		.SHIM- (QTY 4 ITEM 35 OPT TO QTY 1 ITEM 25 AND QTY 1 ITEM 30)		AR
35	BACS40R10C10F		.SHIM- (QTY 4 ITEM 35 OPT TO QTY 1 ITEM 25 AND QTY 1 ITEM 30)		AR
40	315T3580-12		.FITTING ASSY-HINGE (OPT ITEM 40A)	A,C,E ,G-J	1
-40A	315T3580-16		.FITTING ASSY-HINGE (OPT ITEM 40)	A,C,E ,G-J	1
-45	315T3580-11		.FITTING ASSY-HINGE (OPT ITEM 45A)	B,D,F ,K-M	1
-45A	315T3580-15		.FITTING ASSY-HINGE (OPT ITEM 45)	B,D,F ,K-M	1
50	315T3584-11		.FITTING ASSY-HINGE (OPT ITEM 50A) (USED ON ITEM 1)	A	1
-50A	315T3584-15		.FITTING ASSY-HINGE (OPT ITEM 50) (USED ON ITEM 1)	A	1
-50B	315T3584-19		.FITTING ASSY-HINGE (USED ON ITEMS 1A, 1B, 1C, 1D, 1E)	A,C,E ,G-J	1
-55	315T3584-12		.FITTING ASSY-HINGE (OPT ITEM 55) (USED ON ITEM 5)	B	1
-55A	315T3584-16		.FITTING ASSY-HINGE (OPT ITEM 55A) (USED ON ITEM 5)	B	1
-55B	315T3584-20		.FITTING ASSY-HINGE (USED ON ITEMS 5A, 5B, 5C, 5D, 5E)	B,D,F ,K-M	1

78-31-45

ILLUSTRATED PARTS LIST
01.1 Page 1085
Jul 01/05

FIG. & ITEM	PART NO.	AIRLINE PART NUMBER	NOMENCLATURE 1234567	EFF CODE	QTY PER ASSY
02-60	VTB04540		..BEARING ASSY- (V06710) (SPEC S302T001-301A) (OPT USB4-136 (V02758)) (OPT P21620 (V57606)) (FOR DETAILS SEE FIG. 81)		1
60A-60B	S302T001-301A USB4-136		DELETED ..BEARING ASSY- (V02758) (SPEC S302T001-301A) (OPT P21620 (V57606)) (OPT VTB04540 (V06710)) (FOR DETAILS SEE FIG. 81)		1
65	315T3580-14		..HINGE- (USED ON ITEM 40)	A,C,E ,G-J	1
-65A	315T3580-18		..HINGE- (USED ON ITEM 40A)	A,C,E ,G-J	1
-70	315T3580-13		..HINGE- (USED ON ITEM 45)	B,D,F ,K-M	1
-70A	315T3580-17		..HINGE- (USED ON ITEM 45A)	B,D,F ,K-M	1
75	315T3584-13		..HINGE- (USED ON ITEM 50)	A	1
-75A	315T3584-17		..HINGE- (USED ON ITEM 50A)	A	1
-75B	315T3584-21		..HINGE- (USED ON ITEM 50B)	A,C,E ,G-J	1
-80	315T3584-14		..HINGE- (USED ON ITEM 55)	B	1
-80A	315T3584-18		..HINGE- (USED ON ITEM 55A)	B	1
-80B	315T3584-22		..HINGE- (USED ON ITEM 55B)	B,D,F ,K-M	1
85	315T3581-13		.FITTING ASSY-LINK ATTACH		1

78-31-45

 ILLUSTRATED PARTS LIST
 01.1 Page 1086
 Jul 01/05

BOEING
COMPONENT
MAINTENANCE MANUAL

FIG. & ITEM	PART NO.	AIRLINE PART NUMBER	NOMENCLATURE 1234567	EFF CODE	QTY PER ASSY
02-					
90	HL523AZ6-18		ATTACHING PARTS .BOLT- (V56878) (SPEC BACB30NZ6K18) (OPT HL523AZ6-18 (V06725)) (OPT L804-6K18 (V06725)) (OPT HL523AZ6-18 (V92215)) (OPT HL523AZ6-18 (V73197)) (OPT HL523AZ6-18 (V97928)) (OPT HL523AZ6-18 (V0PTK6)) (OPT HL523AZ6-18 (V60516))		4
95	KFN600-3		.NUT- (V56878) (SPEC BACN10XJ3) (OPT KFN600-3 (V92215)) (OPT KFN600-3S (V15653)) (OPT KFN600-3S (V92215)) (OPT BH00309-3 (V27238)) (OPT BH00309-3S (V27238)) (OPT KFN600-3 (V15653)) (OPT KFN600-3 (V9N513)) (OPT KFN600-3 (V06950)) -----*-----		4
100	315T3581-4		..STRIP-RUB		1
105	315T3581-10		..FITTING		1
110	BACB28AP04P017		..BUSHING		1
115	BACB28AP06P016		..BUSHING		1
120	315T3508-151		.PANEL ASSY- (USED ON ITEM 1B)	A,C,E	1

78-31-45

FIG. & ITEM	PART NO.	AIRLINE PART NUMBER	NOMENCLATURE 1234567	EFF CODE	QTY PER ASSY
02- -120A	315T3508-167		.PANEL ASSY- (USED ON ITEMS 1C, 1E)	E,G-J	1
-125	315T3508-152		.PANEL ASSY- (USED ON ITEM 5B)	B,D,F	1
-125A	315T3508-168		.PANEL ASSY- (USED ON ITEMS 5C, 5E)	F,K-M	1
130	BACB30LJ4U35		.BOLT		1
135	315T3593-4		.WASHER		2
140	AN960C416L		.WASHER		AR
145	BACS40U4L3C		.SHIM		AR
150	NAS1805-4N		.NUT		AR
155	315T3583-2		.SPRING		1
160	KJB232504B		.BUSHING- (V50632) (OPT ITEM 160A)		1
-160A	KDJ4-126		.BUSHING- (V97613) (OPT ITEM 160)		1
165	315T3593-3		.BUSHING- (PRE SB 767-78-0036)	A,B	1
-165A	315T3593-7		.BUSHING	C-M	1
-165B	315T3593-7		.BUSHING- (POST SB 767-78-0036)	A,B	1
170	315T3592-4		.LINK ASSY-PIVOT (PRE SB 767-78-0036)	A,B	1
-170A	315T3592-5		.LINK ASSY-PIVOT	C-M	1
-170B	315T3592-5		.LINK ASSY-PIVOT (POST SB 767-78-0036)	A,B	1
175	L8006K6		..BOLT- (V06725) (SPEC BACB30MY6K6) (OPT HL10VAZ6-6 (VOPTK6))		1

78-31-45

 ILLUSTRATED PARTS LIST
 01.1 Page 1086B
 Jul 01/05

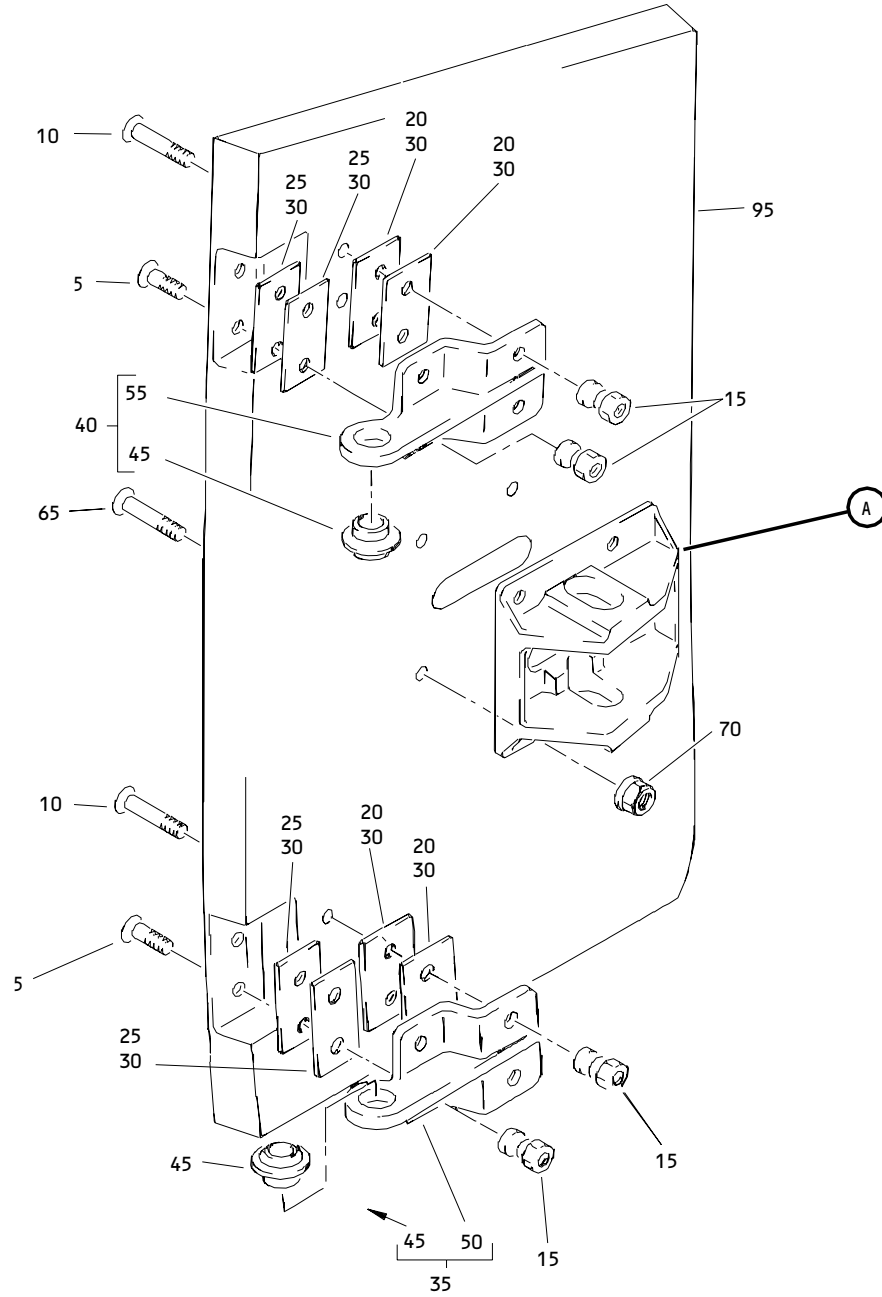
 **BOEING**
COMPONENT
MAINTENANCE MANUAL

FIG. & ITEM	PART NO.	AIRLINE PART NUMBER	NOMENCLATURE 1234567	EFF CODE	QTY PER ASSY
02-180	BACW10BP3NDP		..WASHER- (USED ON ITEM 170)	A,B	2
-180A	BACW10BP3NAPU		..WASHER- (OPT ITEM 180B) (USED ON ITEMS 170A, 170B)		2
-180B	BACW10BP3NPTU		..WASHER- (OPT ITEM 180A) (USED ON ITEMS 170A, 170B)		2
185	HL97KG6		..COLLAR- (V5M902) (SPEC BACC30AB6C) (OPT HL97PB6 (V92215)) (OPT HL97PB6 (V56878)) (OPT HL97KG6 (V73197)) (OPT HL97KG6 (V56878)) (OPT HL97PB6 (V73197))		1
190	BACB28AP06P016		..BUSHING- (USED ON ITEM 170)	A,B	2
-190A	BACB28AP06-012		..BUSHING- (USED ON ITEMS 170A, 170B)		2
195	BACB28AK03-016		..BUSHING		1
200	315T3592-2		..LINK- (USED ON ITEM 170)	A,B	1
205	315T3592-6		..LINK- (USED ON ITEM 170A, 170B)		1

- Item Not Illustrated

78-31-45

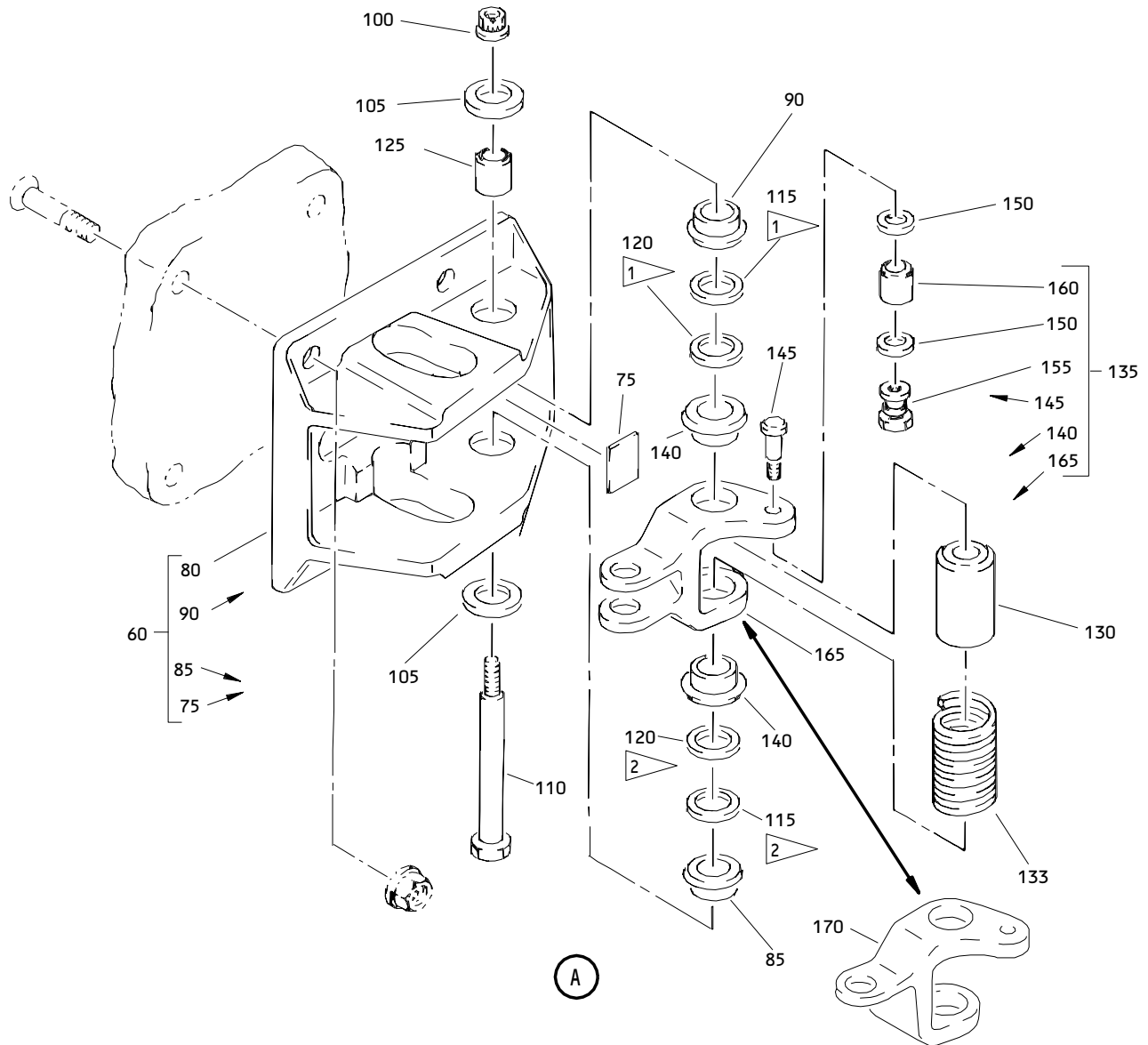
ILLUSTRATED PARTS LIST
01.1 Page 1086C
Jul 01/05



Thrust Reverser Common Blocker Door Assembly
Figure 3 (Sheet 1)

78-31-45

ILLUSTRATED PARTS LIST
01.1 Page 1086E
Jul 01/05



- 1 315T3507-72
- 2 315T3507-73,-74

Thrust Reverser Common Blocker Door Assembly
 Figure 3 (Sheet 2)

78-31-45

ILLUSTRATED PARTS LIST
 01.1 Page 1086F
 Jul 01/05

 **BOEING**
COMPONENT
MAINTENANCE MANUAL

FIG. & ITEM	PART NO.	AIRLINE PART NUMBER	NOMENCLATURE 1234567	EFF CODE	QTY PER ASSY
03- -1	315T3507-72		DOOR ASSY-THRUST REVERSER COMMON BLOCKER (PRE SB 747-78-2105) (PRE SB 767-78-0036)	A,B	RF
-1A	315T3507-73		DOOR ASSY-THRUST REVERSER COMMON BLOCKER	C,D	RF
-1B	315T3507-73		DOOR ASSY-THRUST REVERSER COMMON BLOCKER (LIMITED) (POST SB 747-78-2105)	E,F	RF
-1C	315T3507-74		DOOR ASSY-THRUST REVERSER COMMON BLOCKER (LIMITED)	E,F	RF
-1D	315T3507-73		DOOR ASSY-THRUST REVERSER COMMON BLOCKER (POST SB 767-78-0036)	A,B	RF
-1E	315T3507-74		DOOR ASSY-THRUST REVERSER COMMON BLOCKER	G-M	RF
5	HL523AZ6-5		.BOLT- (V56878) (SPEC BACB30NZ6K5) (OPT HL523AZ6-5 (V92215)) (OPT L804-6K5 (V06725)) (OPT HL523AZ6-5 (V06725)) (OPT HL523AZ6-5 (V73197)) (OPT HL523AZ6-5 (V73197)) (OPT HL523AZ6-5 (V60516)) (OPT HL523AZ6-5 (VOPTK6))		4

78-31-45

ILLUSTRATED PARTS LIST
01.1 Page 1086G
Jul 01/05

FIG. & ITEM	PART NO.	AIRLINE PART NUMBER	NOMENCLATURE 1234567	EFF CODE	QTY PER ASSY
03-10	HL523AZ6-18		.BOLT- (V56878) (SPEC BACB30NZ6K18) (OPT HL523AZ6-18 (V06725)) (OPT L804-6K18 (V06725)) (OPT HL523AZ6-18 (V92215)) (OPT HL523AZ6-18 (V73197)) (OPT HL523AZ6-18 (V97928)) (OPT HL523AZ6-18 (V0PTK6)) (OPT HL523AZ6-18 (V60516))		4
15	HL79-6		.COLLAR- (V5M902) (SPEC BACC30M6) (OPT HL79-6 (V73197)) (OPT HL79-6 (V92215)) (OPT 66014-6 (V56878)) (OPT HL79-6 (V56878))		8
20	BACS40R11C22F		.SHIM- (QTY 4 ITEM 30 OPT TO QTY 1 ITEM 20 AND QTY 1 ITEM 25)		AR
25	BACS40R10C22F		.SHIM- (QTY 4 ITEM 30 OPT TO QTY 1 ITEM 20 AND QTY 1 ITEM 25)		AR
30	BACS40R10C10F		.SHIM- (QTY 4 ITEM 30 OPT TO QTY 1 ITEM 20 AND QTY 1 ITEM 25)		AR
35	315T3580-12		.FITTING ASSY-HINGE (OPT ITEM 35A)		1
-35A	315T3580-16		.FITTING ASSY-HINGE (OPT ITEM 35)		1

78-31-45

 **BOEING**
COMPONENT
MAINTENANCE MANUAL

FIG. & ITEM	PART NO.	AIRLINE PART NUMBER	NOMENCLATURE 1234567	EFF CODE	QTY PER ASSY
03-40	315T3580-11		.FITTING ASSY-HINGE (OPT ITEM 40A)		1
-40A	315T3580-15		.FITTING ASSY-HINGE (OPT ITEM 40)		1
45	VTB04540		..BEARING ASSY- (V06710) (SPEC S302T001-301A) (OPT P21620 (V57606)) (OPT USB4-136 (V02758)) (FOR DETAILS SEE FIG. 81)		1
45A -45B	S302T001-301A USB4-136		DELETED ..BEARING ASSY- (V02758) (SPEC S302T001-301A) (OPT P21620 (V57606)) (OPT VTB04540 (V06710)) (FOR DETAILS SEE FIG. 81)		1
50	315T3580-14		..HINGE- (USED ON ITEM 35)		1
-50A	315T3580-18		..HINGE- (USED ON ITEM 35A)		1
55	315T3580-13		..HINGE- (USED ON ITEM 40)		1
-55A	315T3580-17		..HINGE- (USED ON ITEM 40A)		1
60	315T3581-13		.FITTING ASSY-LINK ATTACH		1

78-31-45

ILLUSTRATED PARTS LIST
01.1 Page 1086I
Jul 01/05

FIG. & ITEM	PART NO.	AIRLINE PART NUMBER	NOMENCLATURE 1234567	EFF CODE	QTY PER ASSY
03- 65	HL523AZ6-18		ATTACHING PARTS .BOLT- (V56878) (SPEC BACB30NZ6K18) (OPT HL523AZ6-18 (V06725)) (OPT L804-6K18 (V06725)) (OPT HL523AZ6-18 (V92215)) (OPT HL523AZ6-18 (V73197)) (OPT HL523AZ6-18 (V97928)) (OPT HL523AZ6-18 (V0PTK6)) (OPT HL523AZ6-18 (V60516))		4
70	KFN600-3		.NUT- (V56878) (SPEC BACN10XJ3) (OPT KFN600-3 (V92215)) (OPT KFN600-3S (V15653)) (OPT KFN600-3S (V92215)) (OPT BH00309-3 (V27238)) (OPT BH00309-3S (V27238)) (OPT KFN600-3 (V15653)) (OPT KFN600-3 (V9N513)) (OPT KFN600-3 (V06950)) -----*-----		4

78-31-45

 ILLUSTRATED PARTS LIST
 01.1 Page 1086J
 Jul 01/05

BOEING
COMPONENT
MAINTENANCE MANUAL

FIG. & ITEM	PART NO.	AIRLINE PART NUMBER	NOMENCLATURE 1234567	EFF CODE	QTY PER ASSY
03-					
75	315T3581-4		..STRIP-RUB		1
80	315T3581-10		..FITTING		1
85	BACB28AP04P017		..BUSHING		1
90	BACB28AP06P016		..BUSHING		1
95	315T3507-68		.PANEL ASSY- (USED ON ITEM 1B)		1
-95A	315T3507-75		.PANEL ASSY- (USED ON ITEMS 1C, 1E)	E-M	1
100	NAS1805-4N		.NUT		1
105	315T3593-4		.WASHER		2
110	BACB30LJ4U35		.BOLT		1
115	AN960C416L		.WASHER		AR
120	BACS40U4L3C		.SHIM		AR
125	KJB232504B		.BUSHING- (V50632) (OPT ITEM 125A)		1
-125A	KDJ4-126		.BUSHING- (V97613) (OPT ITEM 125)		1
130	315T3593-3		.BUSHING- (PRE SB 767-78-0036)	A,B	1
-130A	315T3593-7		.BUSHING	C-M	1
-130B	315T3593-7		.BUSHING- (POST SB 767-78-0036)	A,B	1
133	315T3583-2		.SPRING		1
135	315T3592-4		.LINK ASSY-PIVOT (PRE SB 767-78-0036)	A,B	1
-135A	315T3592-5		.LINK ASSY-PIVOT	C-M	1
-135B	315T3592-5		.LINK ASSY-PIVOT (POST SB 767-78-0036)	A,B	1
140	BACB28AP06P016		..BUSHING- (USED ON ITEM 135)	A,B	2

78-31-45

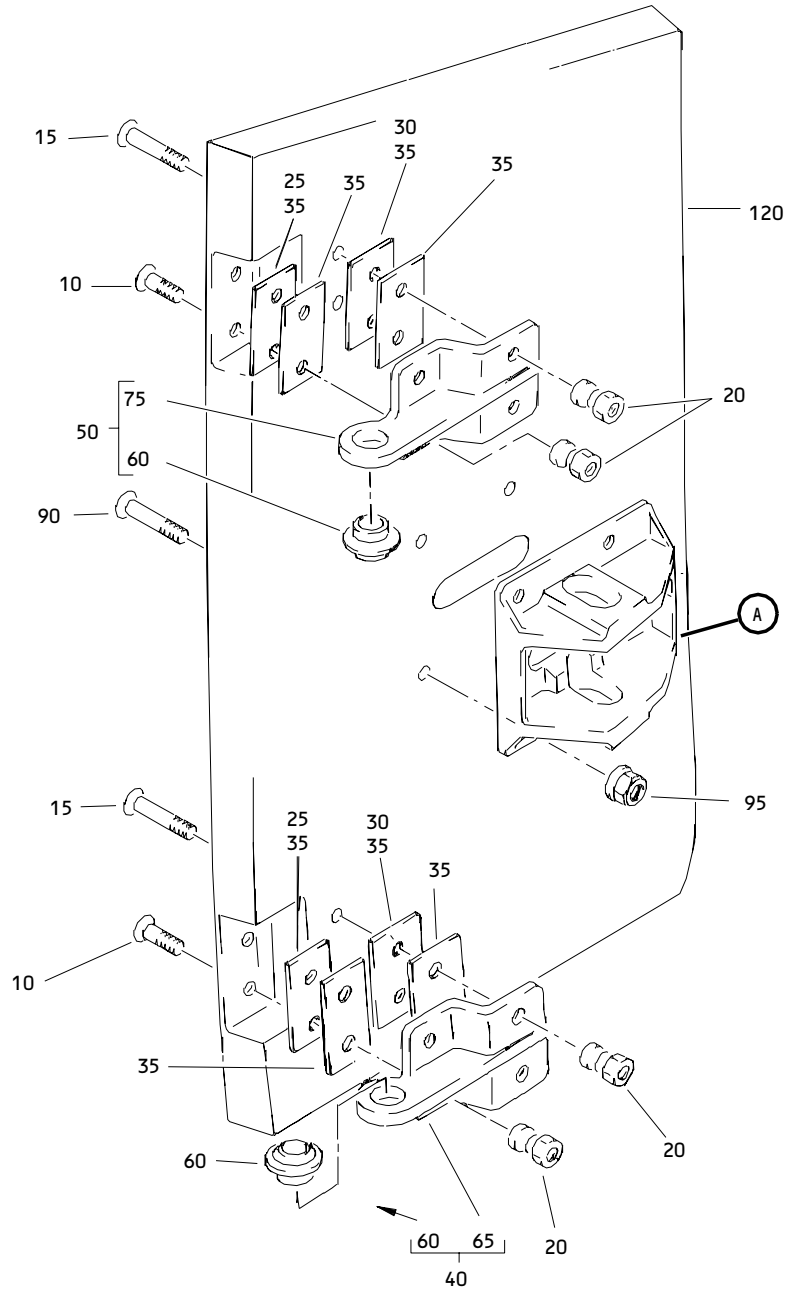
ILLUSTRATED PARTS LIST
01.1 Page 1086K
Jul 01/05

FIG. & ITEM	PART NO.	AIRLINE PART NUMBER	NOMENCLATURE 1234567	EFF CODE	QTY PER ASSY
03- -140A	BACB28AP06-012		..BUSHING- (USED ON ITEMS 135A, 135B)		2
145	L8006K6		..BOLT- (V06725) (SPEC BACB30MY6K6) (OPT HL10VAZ6-6 (VOPTK6))		1
150	BACW10BP3NDP		..WASHER- (USED ON ITEM 135)	A,B	2
-150A	BACW10BP3NAPU		..WASHER- (OPT ITEM 150B) (USED ON ITEMS 135A, 135B)		2
-150B	BACW10BP3NPTU		..WASHER- (OPT ITEM 150A) (USED ON ITEMS 135A, 135B)		2
155	HL97KG6		..COLLAR- (V5M902) (SPEC BACC30AB6C) (OPT HL97PB6 (V92215)) (OPT HL97PB6 (V56878)) (OPT HL97KG6 (V73197)) (OPT HL97KG6 (V56878)) (OPT HL97PB6 (V73197))		1
160	BACB28AK03-016		..BUSHING		1
165	315T3592-2		..LINK- (USED ON ITEM 135)	A,B	1
170	315T3592-6		..LINK- (USED ON ITEMS 135A, 135B)	C-M	1

- Item Not Illustrated

78-31-45

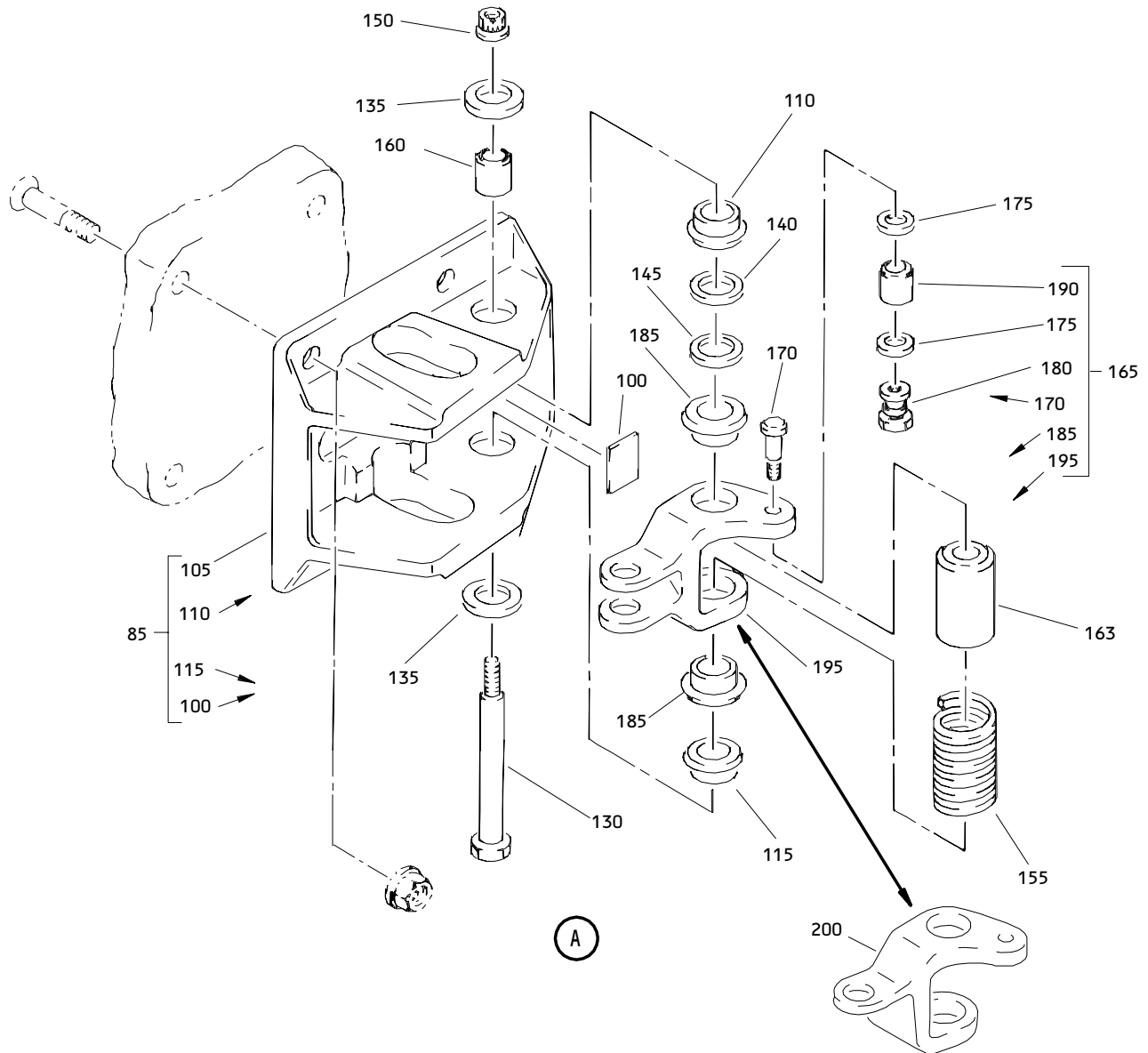
 ILLUSTRATED PARTS LIST
 01.1 Page 1086L
 Jul 01/05



Thrust Reverser Lower Blocker Door Assembly
Figure 4 (Sheet 1)

78-31-45

ILLUSTRATED PARTS LIST
01.1 Page 1086M
Jul 01/05



Thrust Reverser Lower Blocker Door Assembly
 Figure 4 (Sheet 2)

78-31-45

ILLUSTRATED PARTS LIST
 01.1 Page 1086N
 Jul 01/05



BOEING
COMPONENT
MAINTENANCE MANUAL

FIG. & ITEM	PART NO.	AIRLINE PART NUMBER	NOMENCLATURE 1234567	EFF CODE	QTY PER ASSY
04- -1	315T3509-111		DOOR ASSY-THRUST REVERSER LWR BLOCKER (PRE SB 747-78-2105) (PRE SB 767-78-0036)	A	RF
-1A	315T3509-113		DOOR ASSY-THRUST REVERSER LWR BLOCKER	C	RF
-1B	315T3509-113		DOOR ASSY-THRUST REVERSER LWR BLOCKER (LIMITED) (POST SB 747-78-2105)	E	RF
-1C	315T3509-117		DOOR ASSY-THRUST REVERSER LWR BLOCKER (LIMITED)	E	RF
-1D	315T3509-113		DOOR ASSY-THRUST REVERSER LWR BLOCKER (PRE SB 767-78-0036)	A	RF
-1E	315T3509-117		DOOR ASSY-THRUST REVERSER LWR BLOCKER	G-J	RF
-5	315T3509-112		DOOR ASSY-THRUST REVERSER LWR BLOCKER (PRE SB 747-78-2105) (PRE SB 767-78-0036)	B	RF
-5A	315T3509-114		DOOR ASSY-THRUST REVERSER LWR BLOCKER	D	RF
-5B	315T3509-114		DOOR ASSY-THRUST REVERSER LWR BLOCKER (LIMITED) (POST SB 747-78-2105)	F	RF
-5C	315T3509-118		DOOR ASSY-THRUST REVERSER LWR BLOCKER (LIMITED)	F	RF
-5D	315T3509-114		DOOR ASSY-THRUST REVERSER LWR BLOCKER (POST SB 767-78-0036)	B	RF
-5E	315T3509-118		DOOR ASSY-THRUST REVERSER LWR BLOCKER	K-M	RF

78-31-45

ILLUSTRATED PARTS LIST
01.1 Page 10860
Jul 01/05

FIG. & ITEM	PART NO.	AIRLINE PART NUMBER	NOMENCLATURE 1234567	EFF CODE	QTY PER ASSY
04-10	HL523AZ6-5		.BOLT- (V56878) (SPEC BACB30NZ6K5) (OPT HL523AZ6-5 (V92215)) (OPT L804-6K5 (V06725)) (OPT HL523AZ6-5 (V06725)) (OPT HL523AZ6-5 (V73197)) (OPT HL523AZ6-5 (V73197)) (OPT HL523AZ6-5 (V60516)) (OPT HL523AZ6-5 (VOPTK6))		4
15	HL523AZ6-18		.BOLT- (V56878) (SPEC BACB30NZ6K18) (OPT HL523AZ6-18 (V06725)) (OPT L804-6K18 (V06725)) (OPT HL523AZ6-18 (V92215)) (OPT HL523AZ6-18 (V73197)) (OPT HL523AZ6-18 (V97928)) (OPT HL523AZ6-18 (VOPTK6)) (OPT HL523AZ6-18 (V60516))		4
20	HL79-6		.COLLAR- (V5M902) (SPEC BACC30M6) (OPT HL79-6 (V73197)) (OPT HL79-6 (V92215)) (OPT 66014-6 (V56878)) (OPT HL79-6 (V56878))		8

78-31-45

 ILLUSTRATED PARTS LIST
 01.1 Page 1086P
 Jul 01/05

BOEING
COMPONENT
MAINTENANCE MANUAL

FIG. & ITEM	PART NO.	AIRLINE PART NUMBER	NOMENCLATURE 1234567	EFF CODE	QTY PER ASSY
04-25	BACS40R10C22F		.SHIM- (QTY 4 ITEM 35 OPT TO QTY 1 ITEM 25 AND QTY 1 ITEM 30)		AR
30	BACS40R11C22F		.SHIM- (QTY 4 ITEM 35 OPT TO QTY 1 ITEM 25 AND QTY 1 ITEM 30)		AR
35	BACS40R10C10F		.SHIM- (QTY 4 ITEM 35 OPT TO QTY 1 ITEM 25 AND QTY 1 ITEM 30)		AR
40	315T3584-12		.FITTING ASSY-HINGE (OPT ITEM 40A) (USED ON ITEM 1)	A	1
-40A	315T3584-16		.FITTING ASSY-HINGE (OPT ITEM 40) (USED ON ITEM 1)	A	1
-40B	315T3584-20		.FITTING ASSY-HINGE (USED ON ITEMS 1A, 1B, 1C, 1D, 1E)	A,C,E ,G-J	1
-45	315T3584-11		.FITTING ASSY-HINGE (OPT ITEM 45A) (USED ON ITEM 5)	B	1
-45A	315T3584-15		.FITTING ASSY-HINGE (OPT ITEM 45) (USED ON ITEM 5)	B	1
-45B	315T3584-19		.FITTING ASSY-HINGE (USED ON ITEM 5A, 5B, 5C, 5D, 5E)	D,F, K-M	1
50	315T3580-11		.FITTING ASSY-HINGE (OPT ITEM 50A) ,G-J	A,C,E ,G-J	1
-50A	315T3580-15		.FITTING ASSY-HINGE (OPT ITEM 50) ,G-J	A,C,E ,G-J	1
-55	315T3580-12		.FITTING ASSY-HINGE (OPT ITEM 55A) ,K-M	B,D,F ,K-M	1
-55A	315T3580-16		.FITTING ASSY-HINGE (OPT ITEM 55) ,K-M	B,D,F ,K-M	1

78-31-45

ILLUSTRATED PARTS LIST
01.1 Page 1086Q
Jul 01/05

FIG. & ITEM	PART NO.	AIRLINE PART NUMBER	NOMENCLATURE 1234567	EFF CODE	QTY PER ASSY
04-60	VTB04540		..BEARING ASSY- (V06710) (SPEC S302T001-301A) (OPT P21620 (V57606)) (OPT USB4-136 (V02758)) (FOR DETAILS SEE FIG. 81)		1
60A-60B	S302T001-301A USB4-136		DELETED ..BEARING ASSY- (V02758) (SPEC S302T001-301A) (OPT P21620 (V57606)) (OPT VTB04540 (V06710)) (FOR DETAILS SEE FIG. 81)		1
65	315T3584-14		..HINGE- (USED ON ITEM 40)	A	1
-65A	315T3584-18		..HINGE- (USED ON ITEM 40A)	A	1
-65B	315T3584-22		..HINGE- (USED ON ITEM 40B)	A,C,E G-J	1
-70	315T3584-13		..HINGE- (USED ON ITEM 45)	B	1
-70A	315T3584-17		..HINGE- (USED ON ITEM 45A)	B	1
-70B	315T3584-21		..HINGE- (USED ON ITEM 45B)	B,D,F K-M	1
75	315T3580-13		..HINGE- (USED ON ITEM 50)	A,C,E G-J	1
-75A	315T3580-17		..HINGE- (USED ON ITEM 50A)	A,C,E G-J	1
-80	315T3580-14		..HINGE- (USED ON ITEM 55)	B,D,F K-M	1
-80A	315T3580-18		..HINGE- (USED ON ITEM 55A)	B,D,F K-M	1
85	315T3581-13		.FITTING ASSY-LINK ATTACH		1

78-31-45

 ILLUSTRATED PARTS LIST
 01.1 Page 1086R
 Jul 01/05

BOEING
COMPONENT
MAINTENANCE MANUAL

FIG. & ITEM	PART NO.	AIRLINE PART NUMBER	NOMENCLATURE 1234567	EFF CODE	QTY PER ASSY
04-					
90	HL523AZ6-18		ATTACHING PARTS .BOLT- (V56878) (SPEC BACB30NZ6K18) (OPT HL523AZ6-18 (V06725)) (OPT L804-6K18 (V06725)) (OPT HL523AZ6-18 (V92215)) (OPT HL523AZ6-18 (V73197)) (OPT HL523AZ6-18 (V97928)) (OPT HL523AZ6-18 (V0PTK6)) (OPT HL523AZ6-18 (V60516)) -----*		4
95	KFN600-3		.NUT- (V56878) (SPEC BACN10XJ3) (OPT KFN600-3 (V92215)) (OPT KFN600-3S (V15653)) (OPT KFN600-3S (V92215)) (OPT BH00309-3 (V27238)) (OPT BH00309-3S (V27238)) (OPT KFN600-3 (V15653)) (OPT KFN600-3 (V9N513)) (OPT KFN600-3 (V06950))		4
100	315T3581-4		..STRIP-RUB		1
105	315T3581-10		..FITTING		1
110	BACB28AP06P016		..BUSHING		1
115	BACB28AP04P017		..BUSHING		1
120	315T3509-103		.PANEL ASSY- (USED ON ITEM 1B)	A,C,E	1

78-31-45

FIG. & ITEM	PART NO.	AIRLINE PART NUMBER	NOMENCLATURE 1234567	EFF CODE	QTY PER ASSY
04-					
-120A	315T3509-119		.PANEL ASSY- (USED ON ITEMS 1C, 1E)	E,G-J	1
-125	315T3509-104		.PANEL ASSY- (USED ON ITEM 5B)	B,D,F	1
-125A	315T3509-120		.PANEL ASSY- (USED ON ITEMS 5C, 5E)	F,K-M	1
130	BACB30LJ4U35		.BOLT		1
135	315T3593-4		.WASHER		2
140	AN960C416L		.WASHER		AR
145	BACS40U4L3C		.SHIM		AR
150	NAS1805-4N		.NUT		1
155	315T3583-2		.SPRING		1
160	KJB232504B		.BUSHING- (V50632) (OPT ITEM 160A)		1
-160A	KDJ4-126		.BUSHING- (V97613) (OPT ITEM 160)		1
163	315T3593-3		.BUSHING- (PRE SB 767-78-0036)	A,B	1
-163A	315T3593-7		.BUSHING	C-M	1
-163B	315T3593-7		.BUSHING- (POST SB 767-78-0036)	A,B	1
165	315T3592-4		.LINK ASSY-PIVOT (PRE SB 767-78-0036)	A,B	1
-165A	315T3592-5		.LINK ASSY-PIVOT	C-M	1
-165B	315T3592-5		.LINK ASSY-PIVOT (POST SB 767-78-0036)	A,B	1
170	L8006K6		..BOLT- (V06725) (SPEC BACB30MY6K6) (OPT HL10VAZ6-6 (VOPTK6))		1

78-31-45

 ILLUSTRATED PARTS LIST
 01.1 Page 1086T
 Jul 01/05

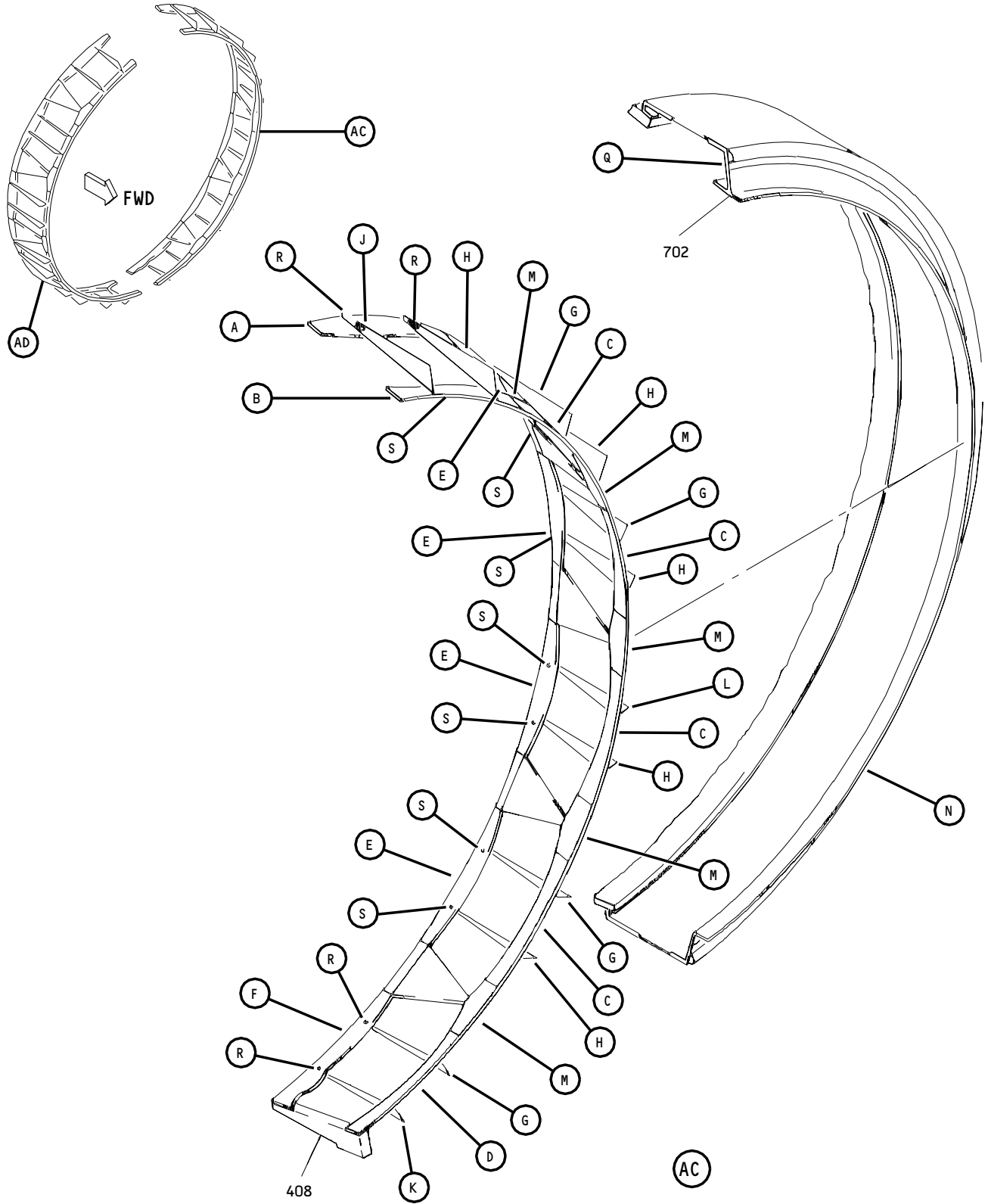
 **BOEING**
COMPONENT
MAINTENANCE MANUAL

FIG. & ITEM	PART NO.	AIRLINE PART NUMBER	NOMENCLATURE 1234567	EFF CODE	QTY PER ASSY
04-175	BACW10BP3NDP		..WASHER- (USED ON ITEM 165)	A,B	2
-175A	BACW10BP3NAPU		..WASHER- (OPT ITEM 175B) (USED ON ITEMS 165A, 165B)		2
-175B	BACW10BP3NPTU		..WASHER- (OPT ITEM 175A) (USED ON ITEMS 165A, 165B)		2
180	HL97KG6		..COLLAR- (V5M902) (SPEC BACC30AB6C) (OPT HL97PB6 (V92215)) (OPT HL97PB6 (V56878)) (OPT HL97KG6 (V73197)) (OPT HL97KG6 (V56878)) (OPT HL97PB6 (V73197))		1
185	BACB28AP06P016		..BUSHING- (USED ON ITEM 165)	A,B	2
-185A	BACB28AP06-012		..BUSHING- (USED ON ITEMS 165A, 165B)		2
190	BACB28AK03-016		..BUSHING		1
195	315T3592-2		..LINK- (USED ON ITEM 165)	A,B	1
200	315T3592-6		..LINK- (USED ON ITEMS 165A, 165B)		1

- Item Not Illustrated

78-31-45

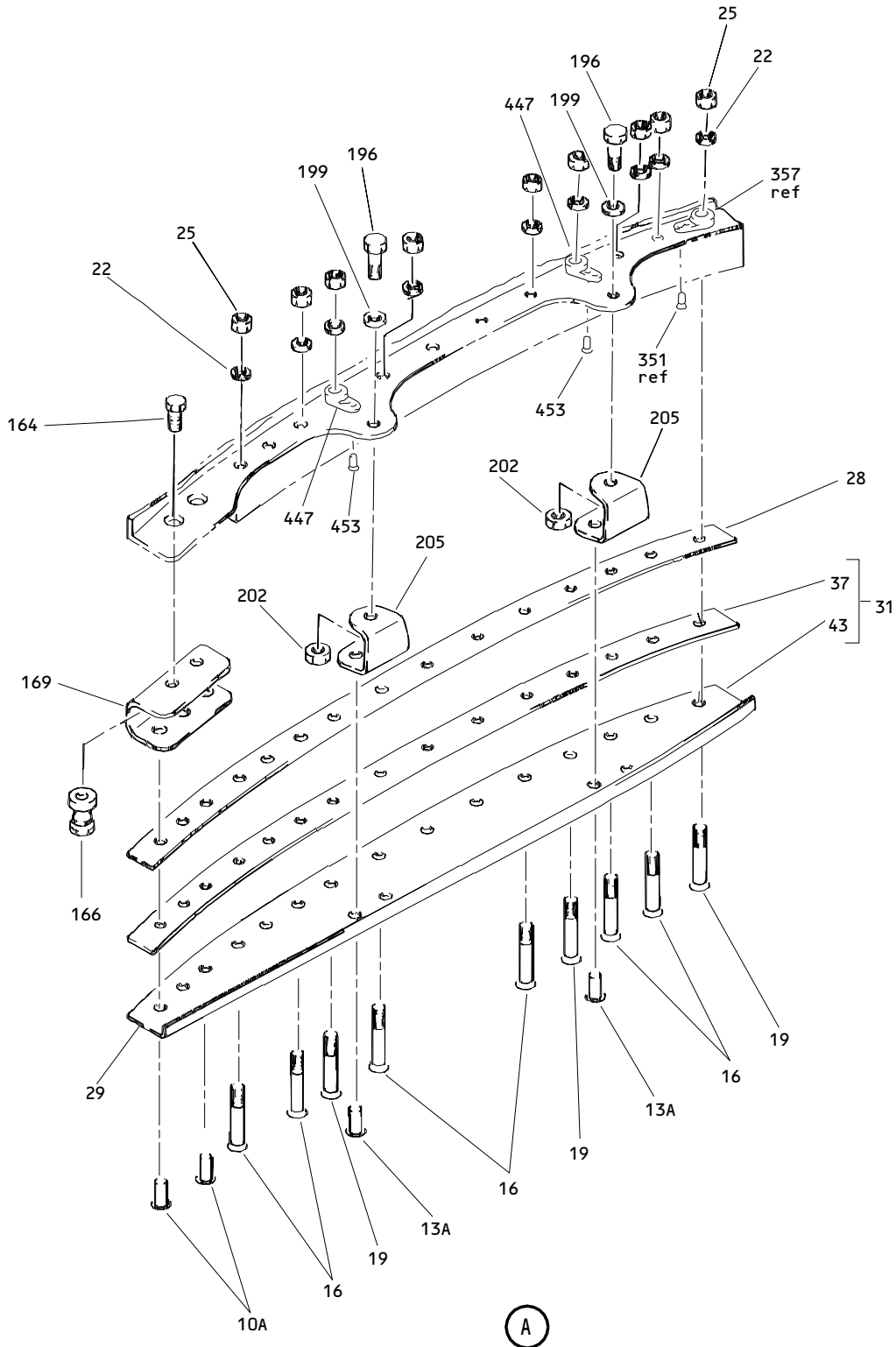
ILLUSTRATED PARTS LIST
01.1 Page 1086U
Jul 01/05



Hinge Support Diaphragm Assembly
Figure 5 (Sheet 1)

78-31-45

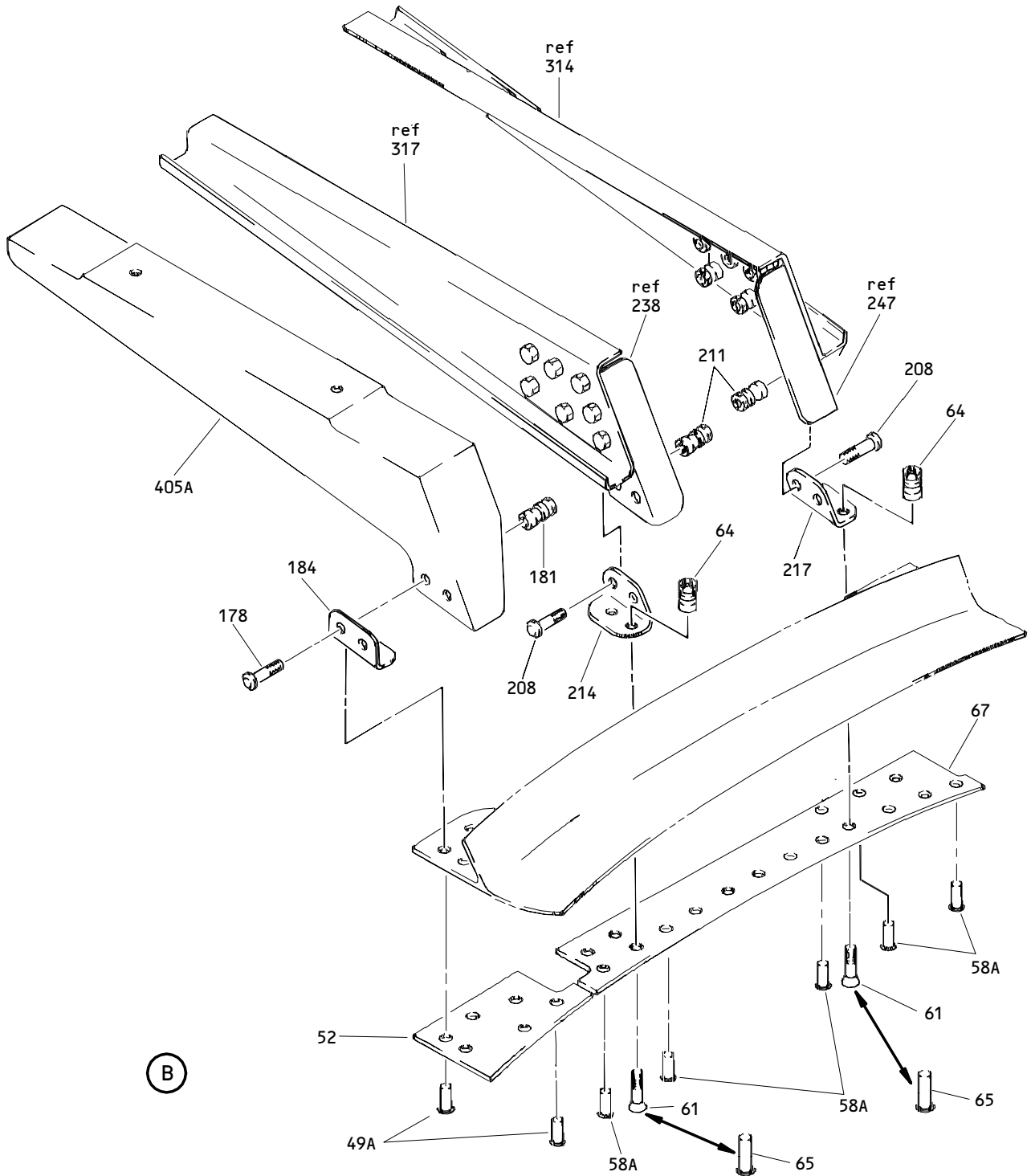
ILLUSTRATED PARTS LIST
01.1 Page 1086W
Jul 01/05



Hinge Support Diaphragm Assembly
 Figure 5 (Sheet 2)

78-31-45

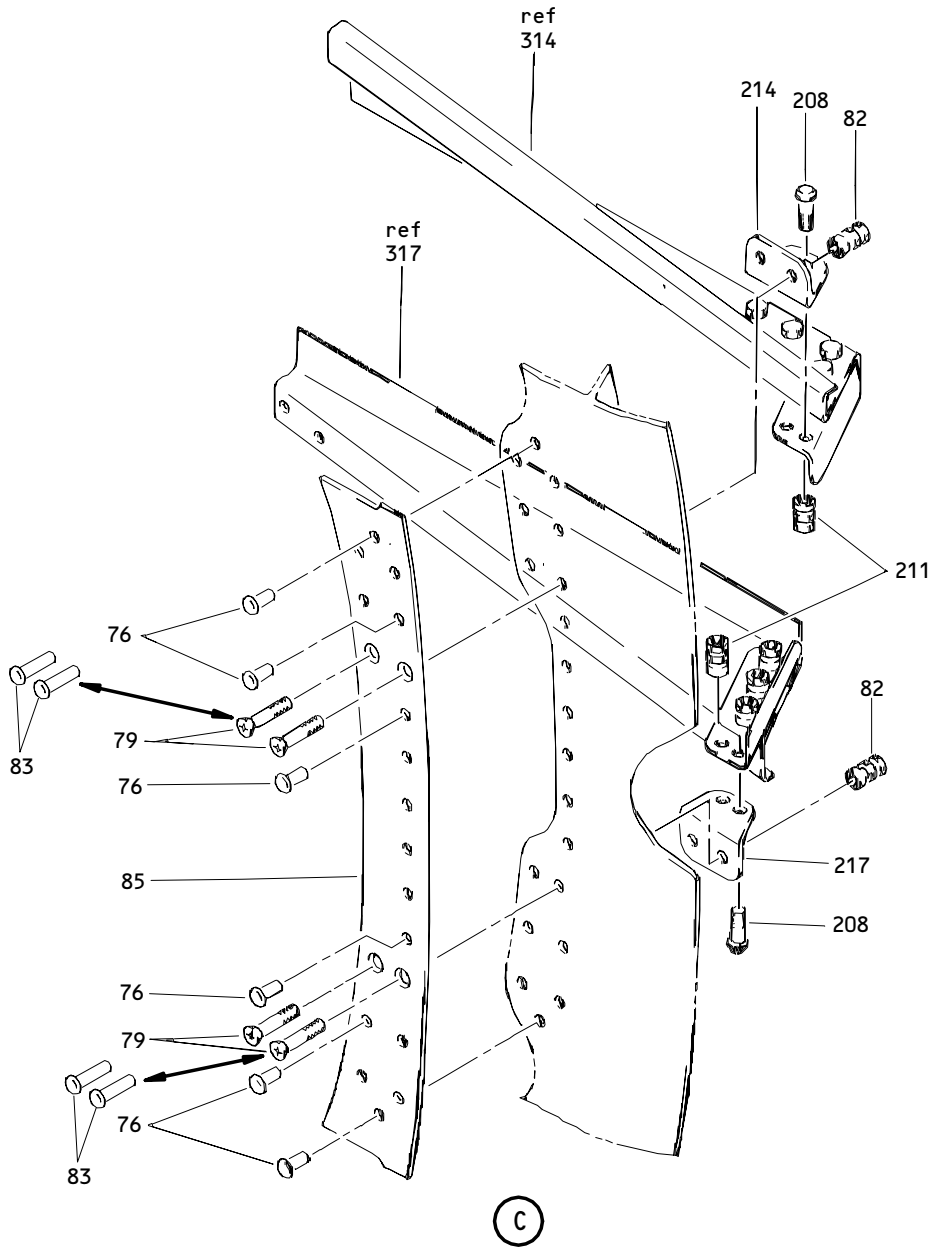
ILLUSTRATED PARTS LIST
 01.1 Page 1086X
 Jul 01/05



Hinge Support Diaphragm Assembly
Figure 5 (Sheet 3)

78-31-45

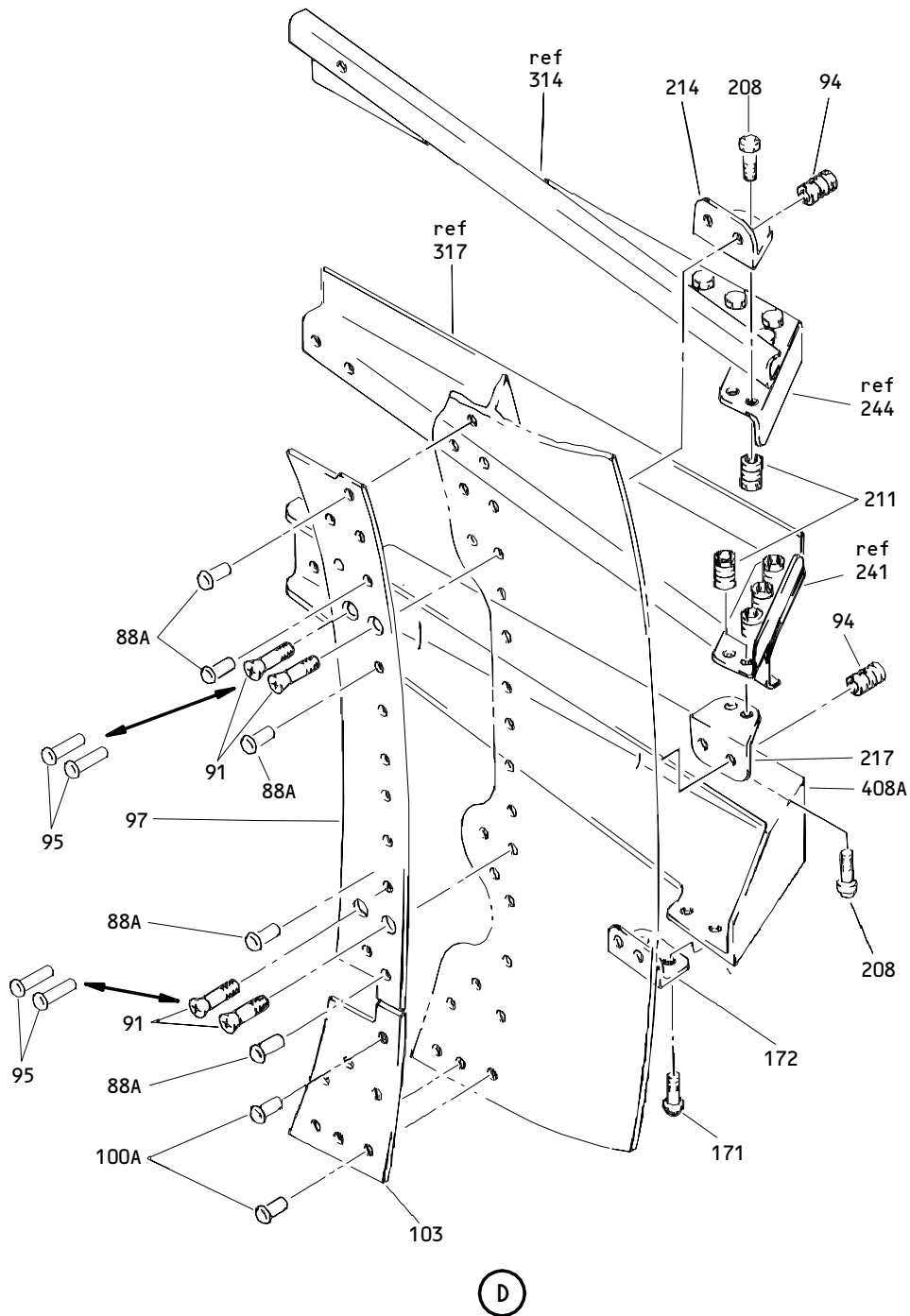
ILLUSTRATED PARTS LIST
01.1 Page 1086Y
Jul 01/05



Hinge Support Diaphragm Assembly
 Figure 5 (Sheet 4)

78-31-45

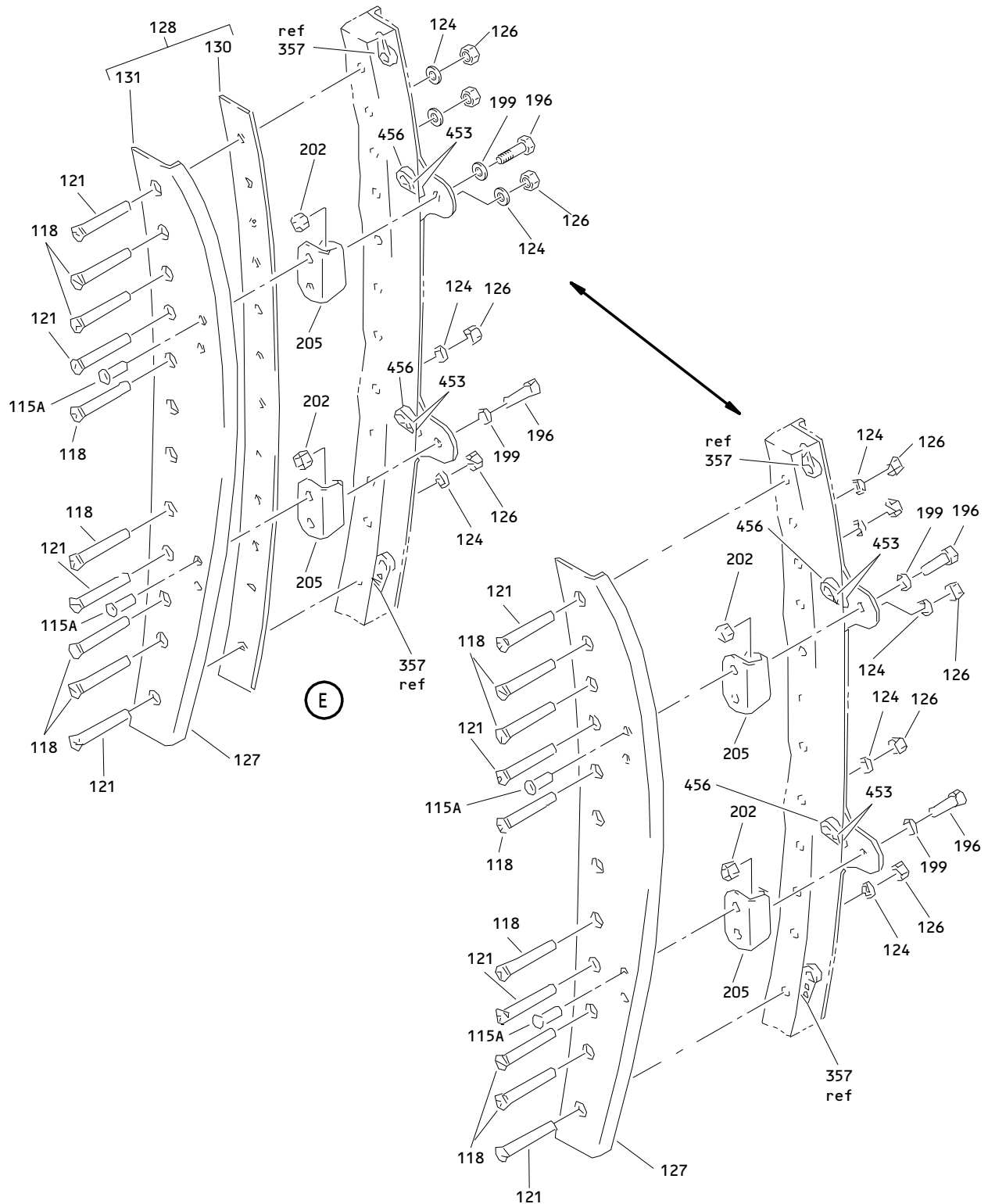
ILLUSTRATED PARTS LIST
 01.1 Page 1086Z
 Jul 01/05



Hinge Support Diaphragm Assembly
Figure 5 (Sheet 5)

78-31-45

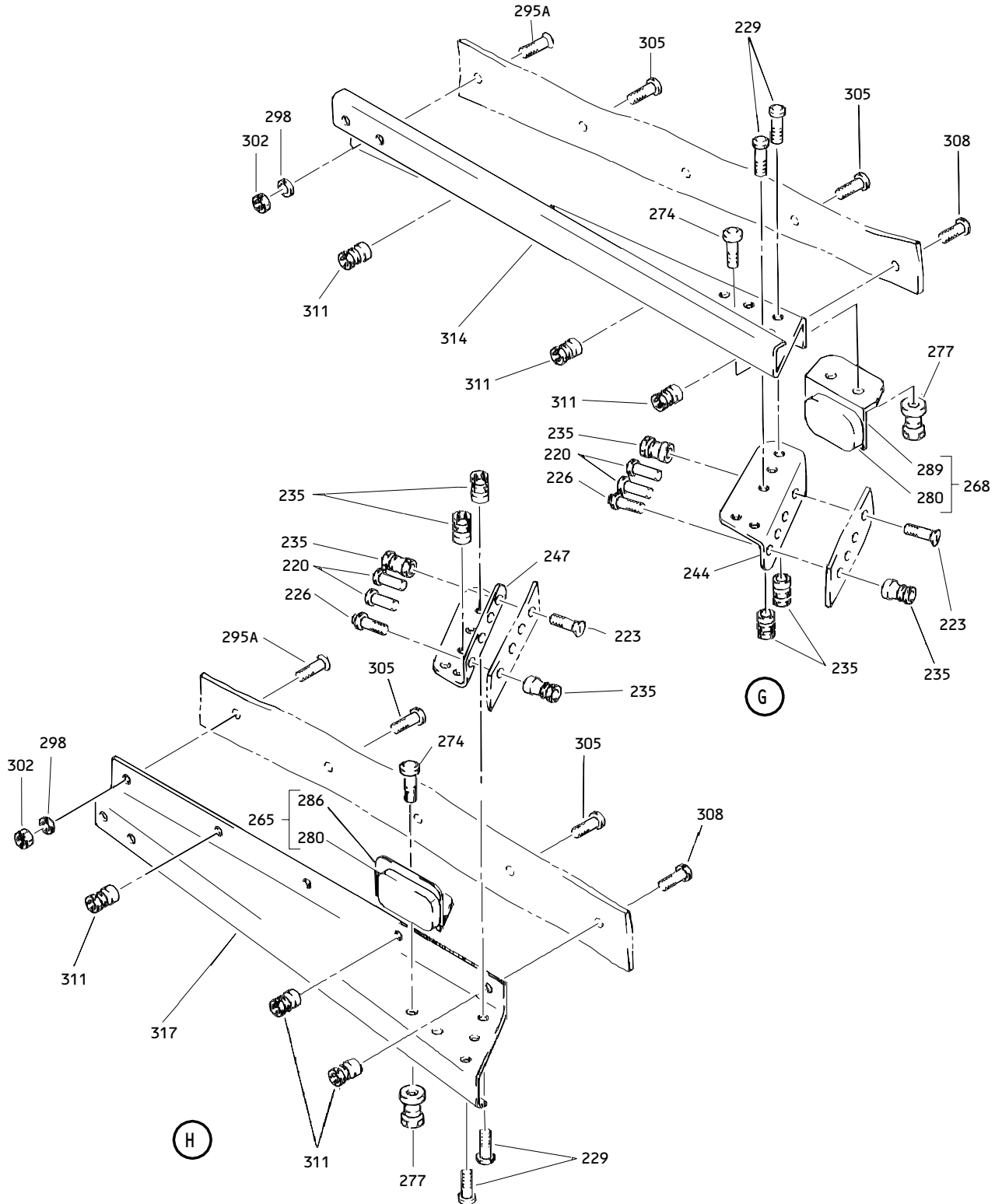
ILLUSTRATED PARTS LIST
01.1 Page 1087
Jul 01/05



Hinge Support Diaphragm Assembly
 Figure 5 (Sheet 6)

78-31-45

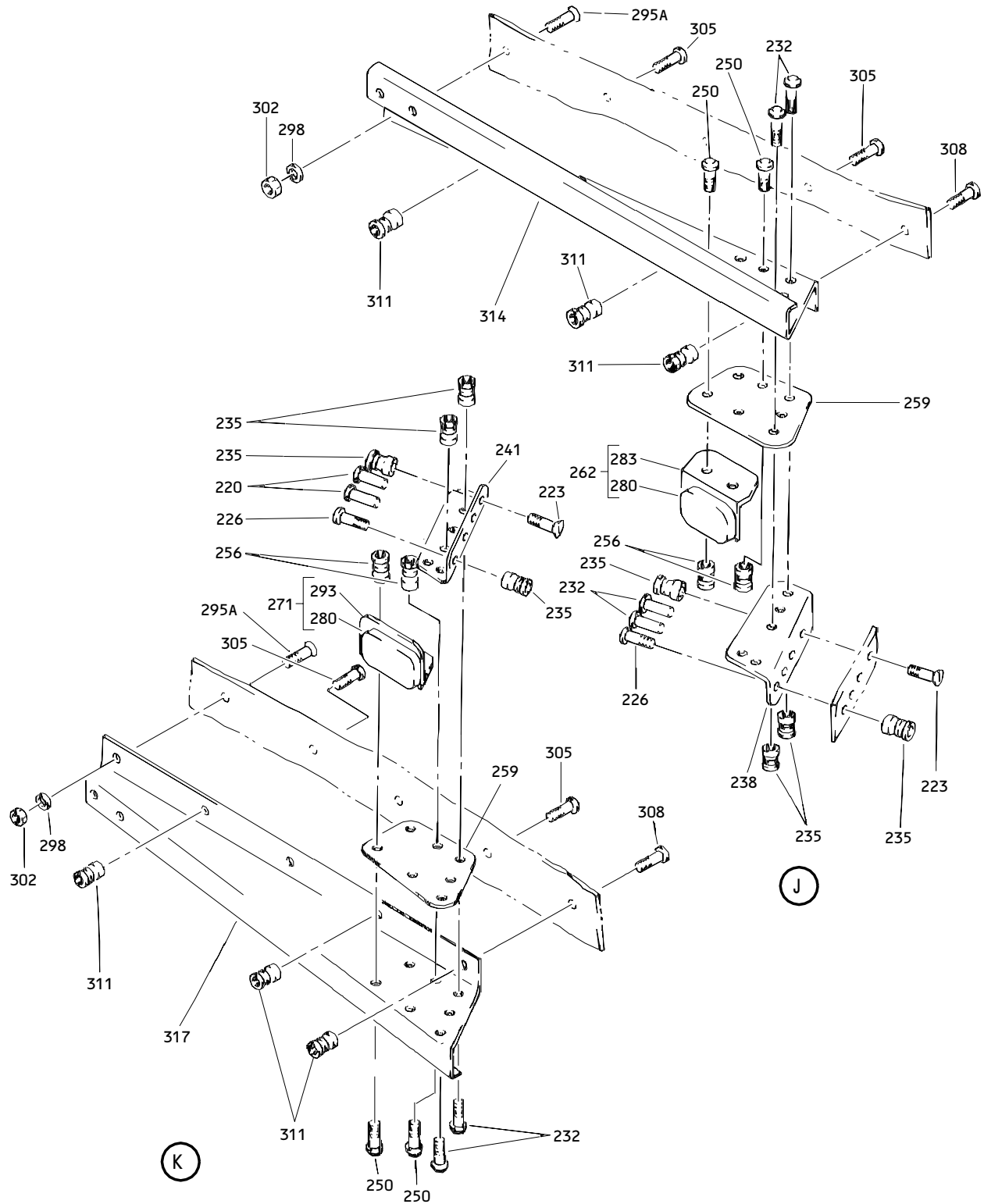
ILLUSTRATED PARTS LIST
 01.1 Page 1088
 Jul 01/05



Hinge Support Diaphragm Assembly
Figure 5 (Sheet 7)

78-31-45

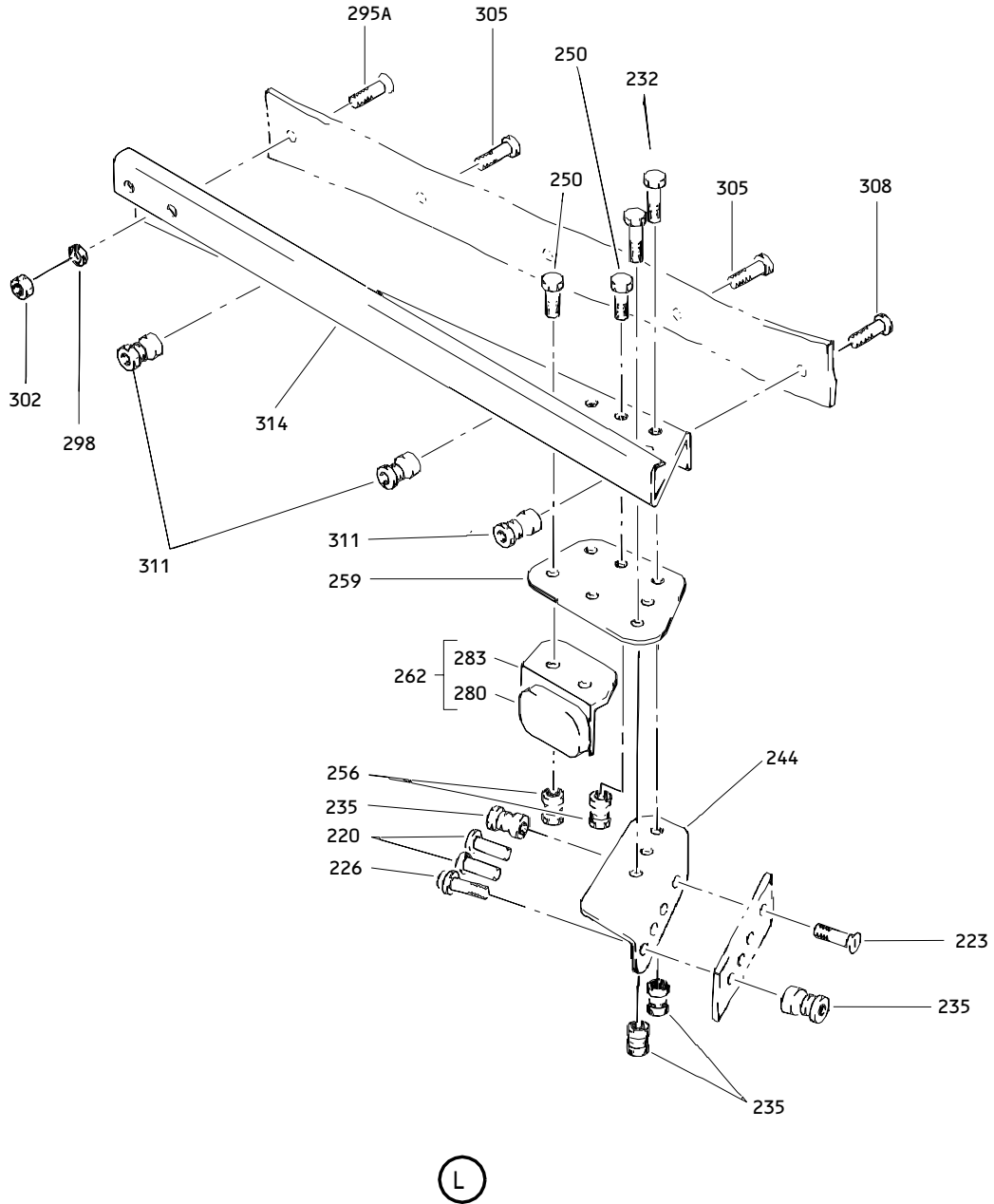
ILLUSTRATED PARTS LIST
01.1 Page 1088A
Jul 01/05



Hinge Support Diaphragm Assembly
 Figure 5 (Sheet 8)

78-31-45

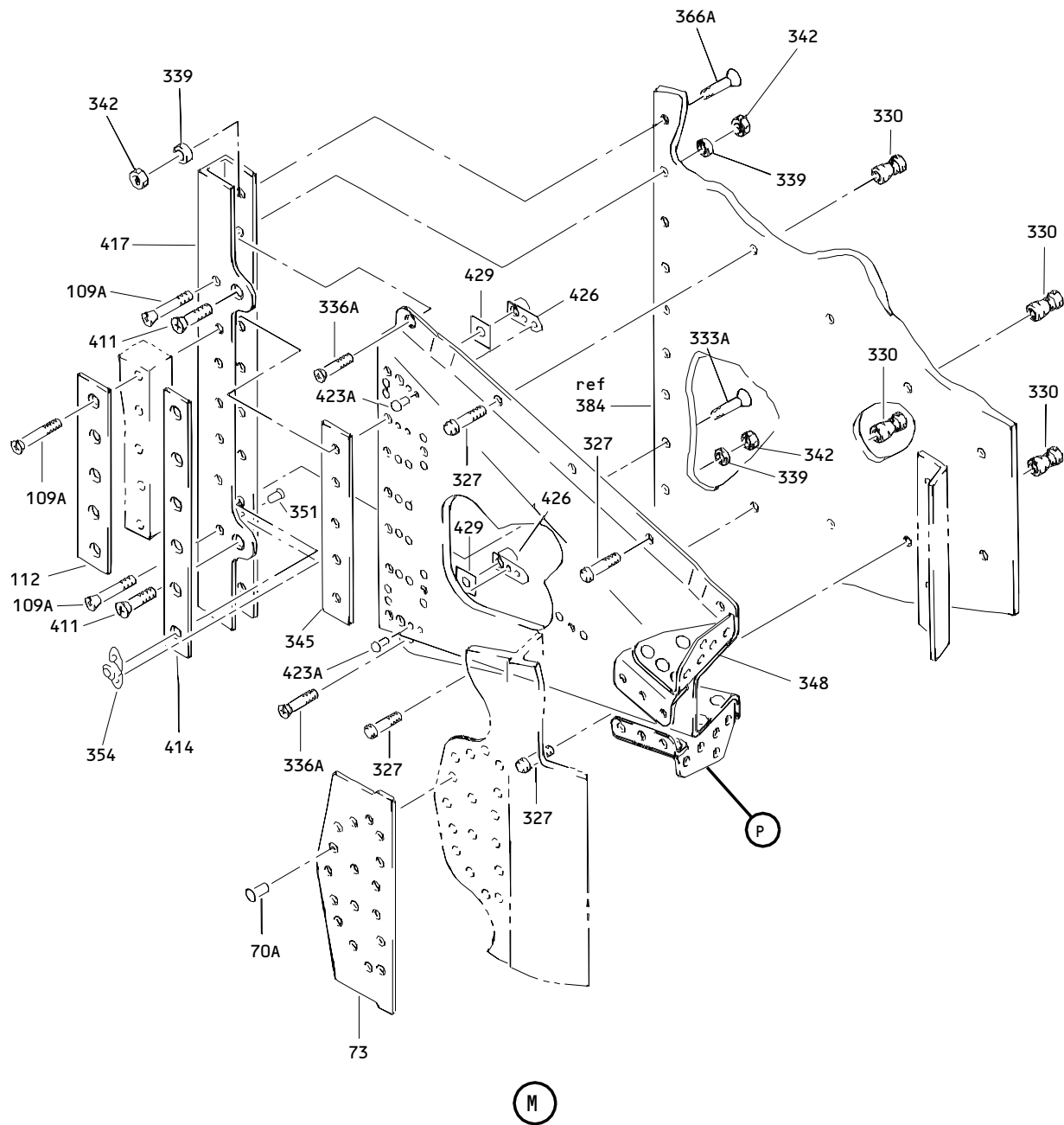
ILLUSTRATED PARTS LIST
 01.1 Page 1088B
 Jul 01/05



Hinge Support Diaphragm Assembly
Figure 5 (Sheet 9)

78-31-45

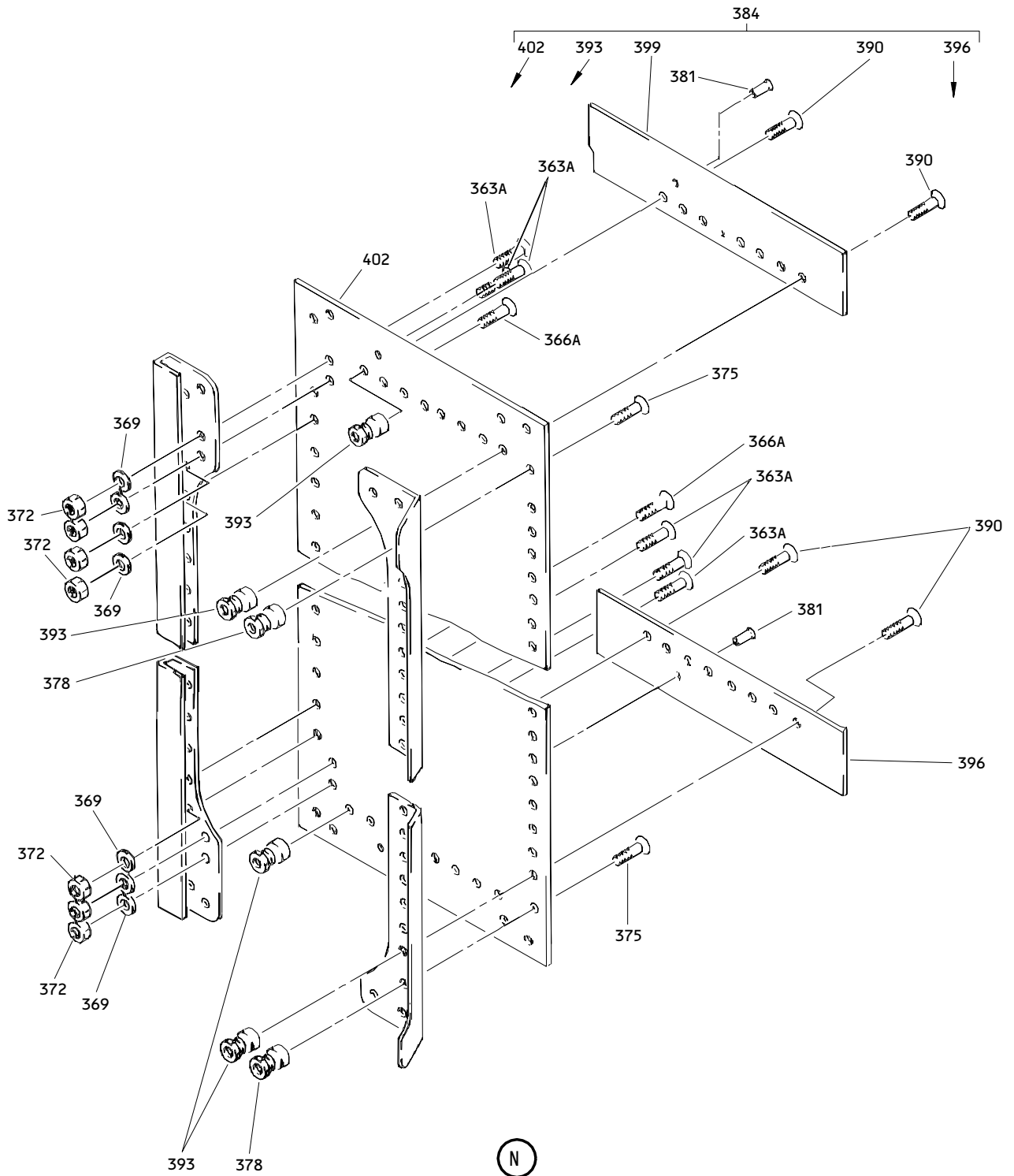
ILLUSTRATED PARTS LIST
01.1 Page 1088C
Jul 01/05



Hinge Support Diaphragm Assembly
 Figure 5 (Sheet 10)

78-31-45

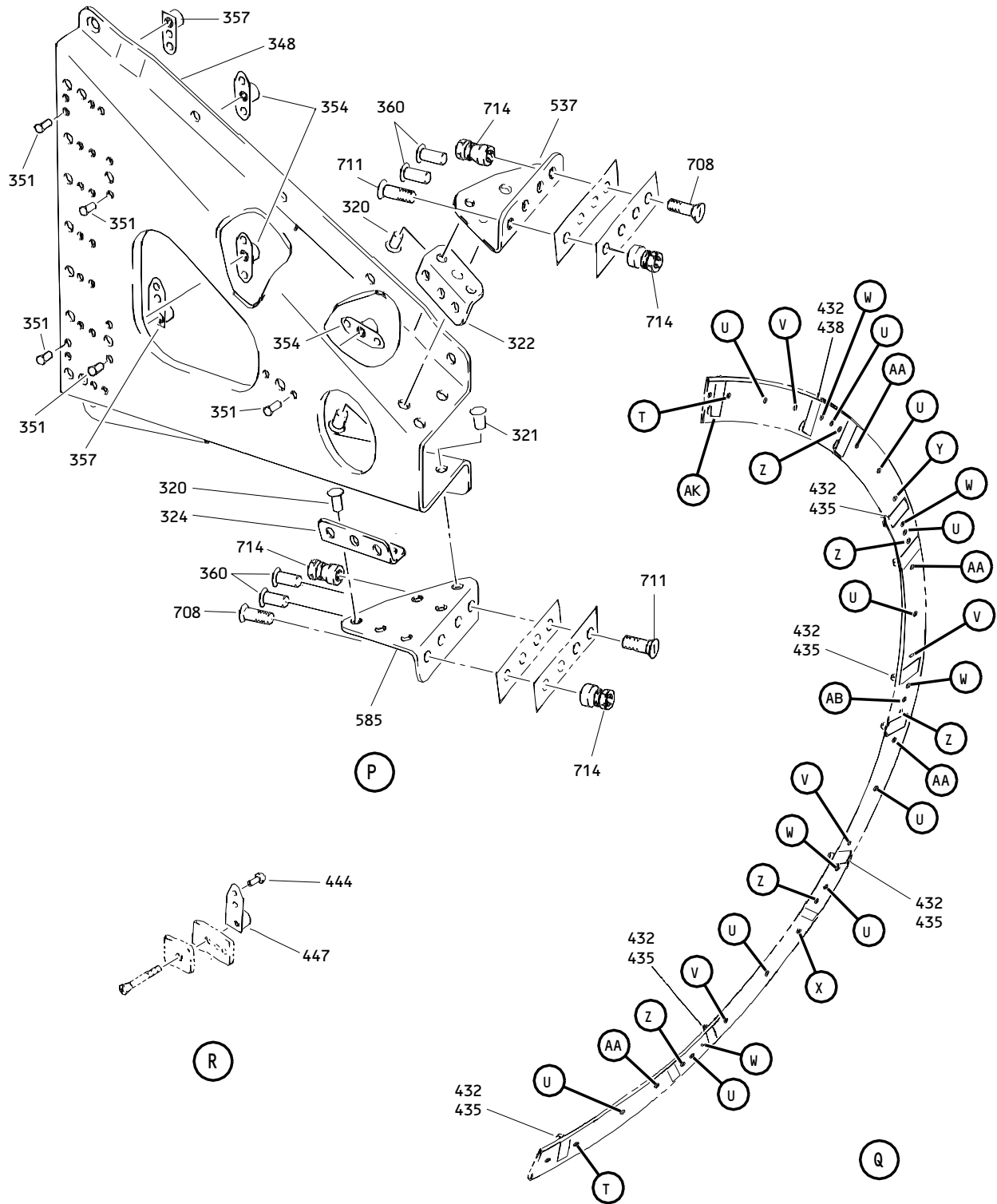
ILLUSTRATED PARTS LIST
 01.1 Page 1088D
 Jul 01/05



Hinge Support Diaphragm Assembly
Figure 5 (Sheet 11)

78-31-45

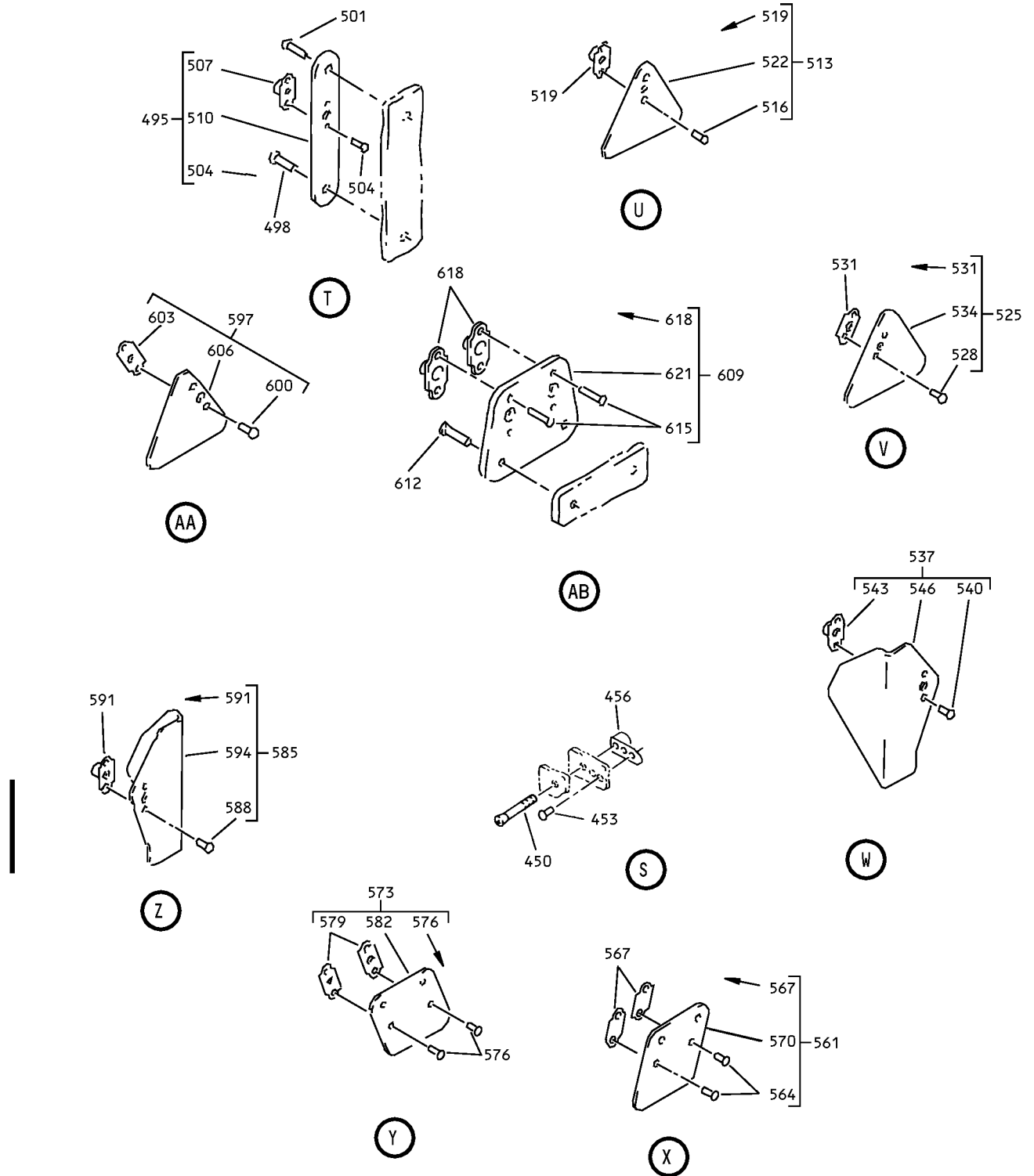
ILLUSTRATED PARTS LIST
01.1 Page 1088E
Jul 01/05



Hinge Support Diaphragm Assembly
 Figure 5 (Sheet 12)

78-31-45

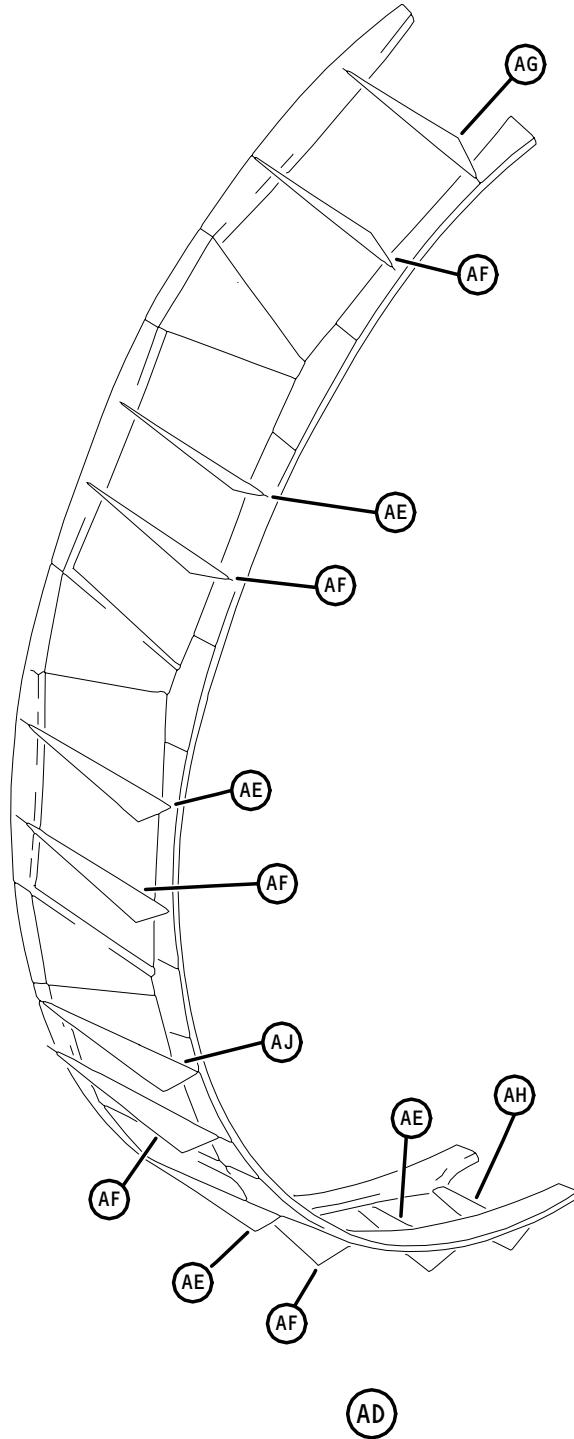
ILLUSTRATED PARTS LIST
 01.1 Page 1088F
 Jul 01/05



Hinge Support Diaphragm Assembly
Figure 5 (Sheet 13)

78-31-45

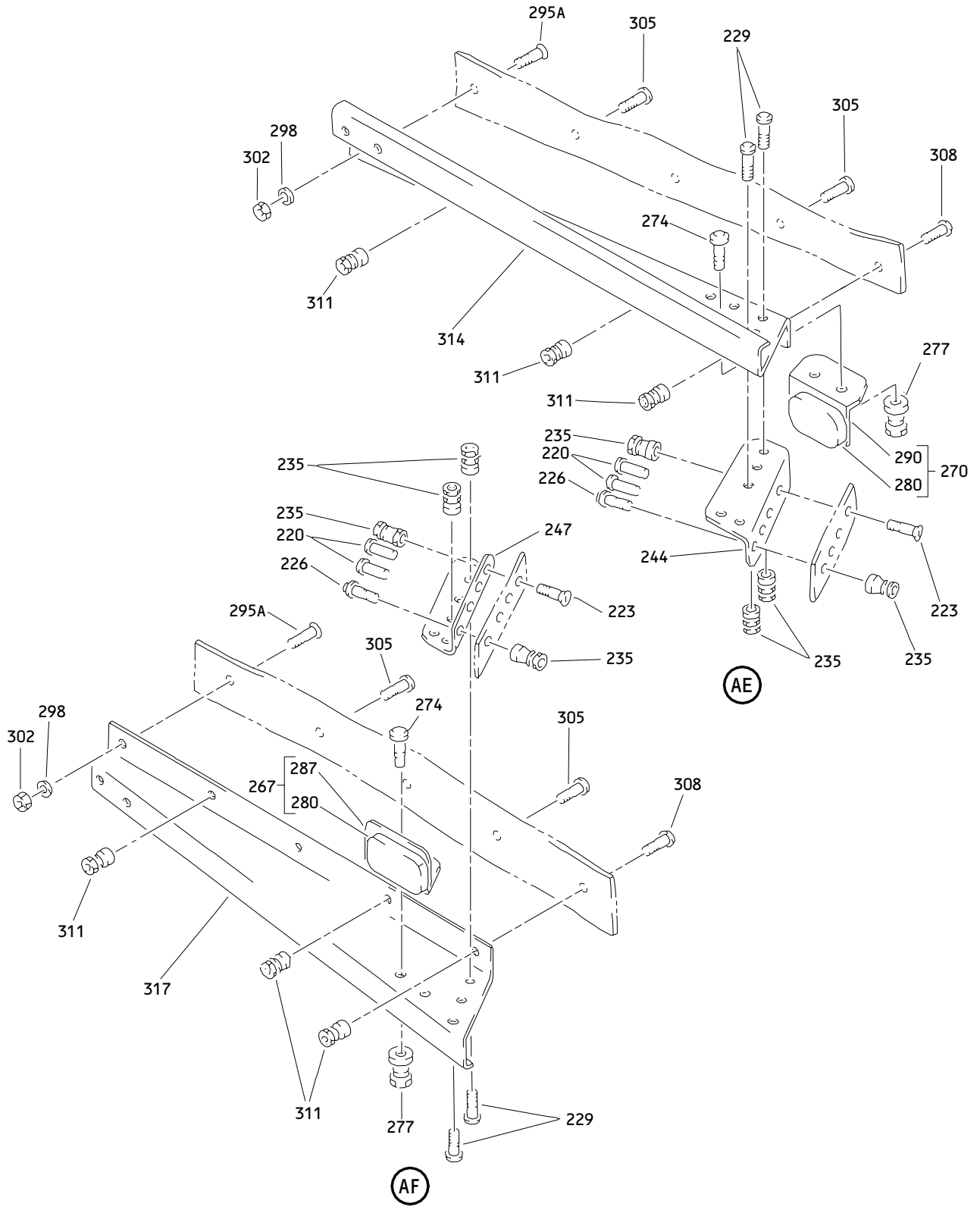
ILLUSTRATED PARTS LIST
01.1 Page 1088G
Jul 01/05



Hinge Support Diaphragm Assembly
Figure 5 (Sheet 14)

78-31-45

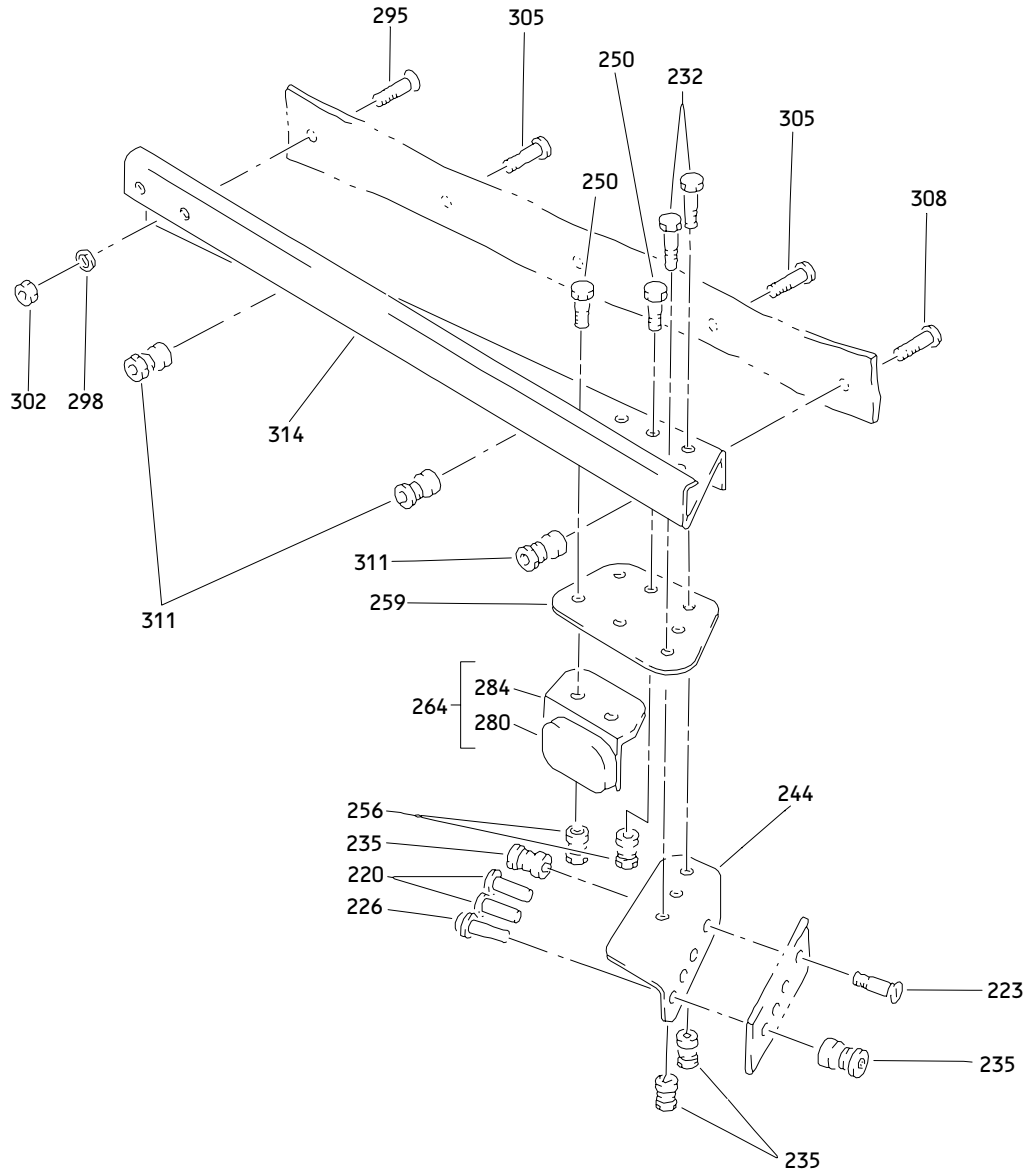
ILLUSTRATED PARTS LIST
01.1 Page 1088H
Jul 01/05



Hinge Support Diaphragm Assembly
Figure 5 (Sheet 15)

78-31-45

ILLUSTRATED PARTS LIST
01.1 Page 1088I
Jul 01/05

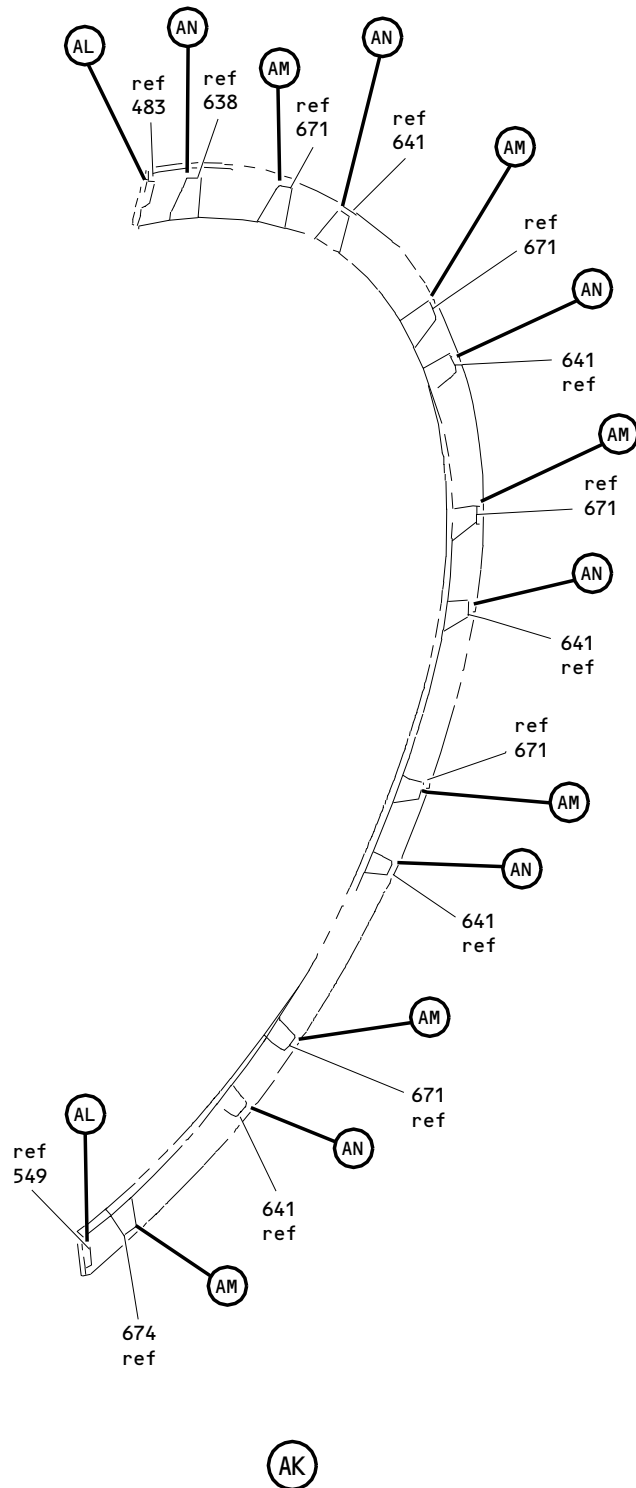


(AJ)

Hinge Support Diaphragm Assembly
Figure 5 (Sheet 17)

78-31-45

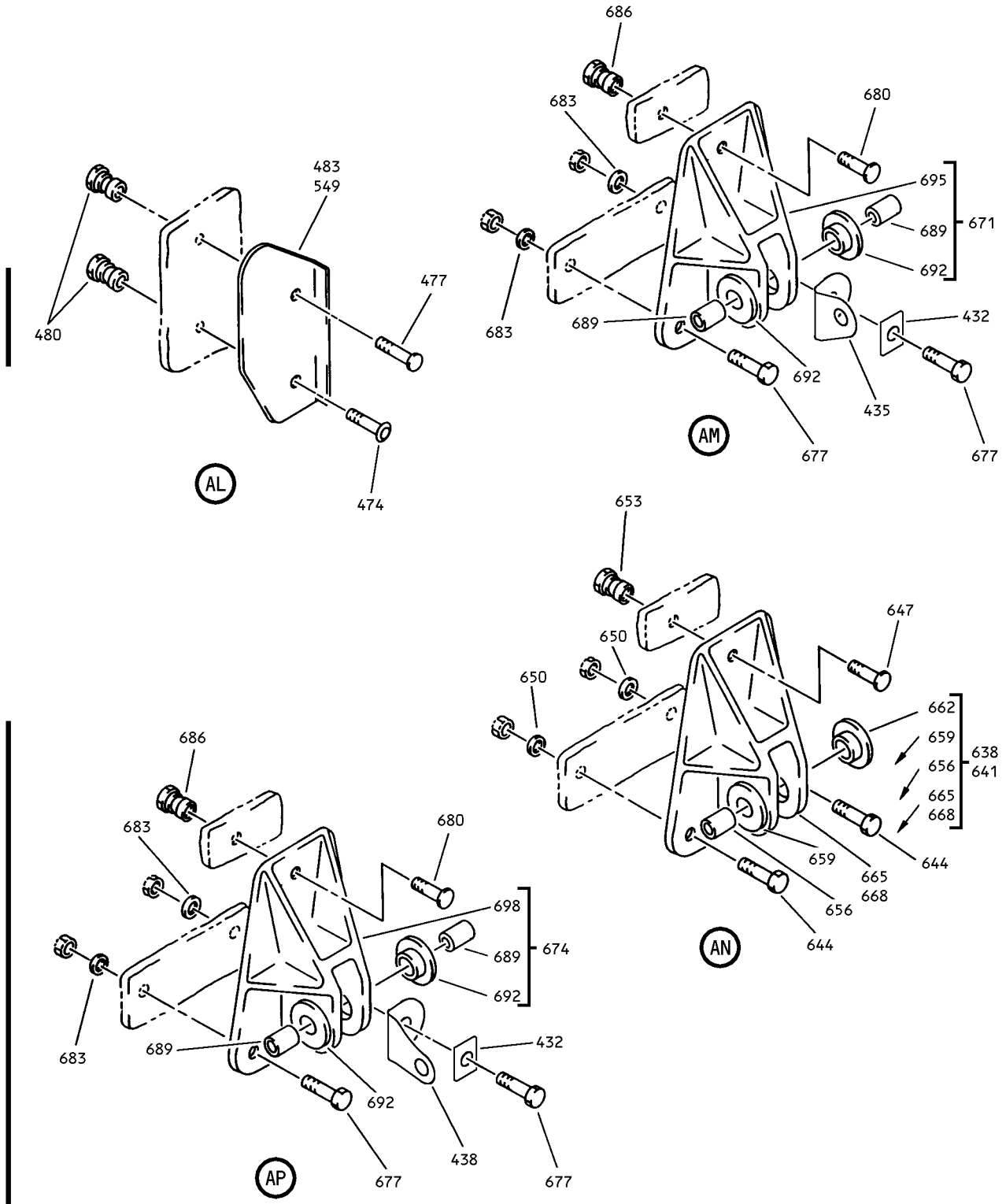
ILLUSTRATED PARTS LIST
01.1 Page 1088K
Jul 01/05



Hinge Support Diaphragm Assembly
 Figure 5 (Sheet 18)

78-31-45

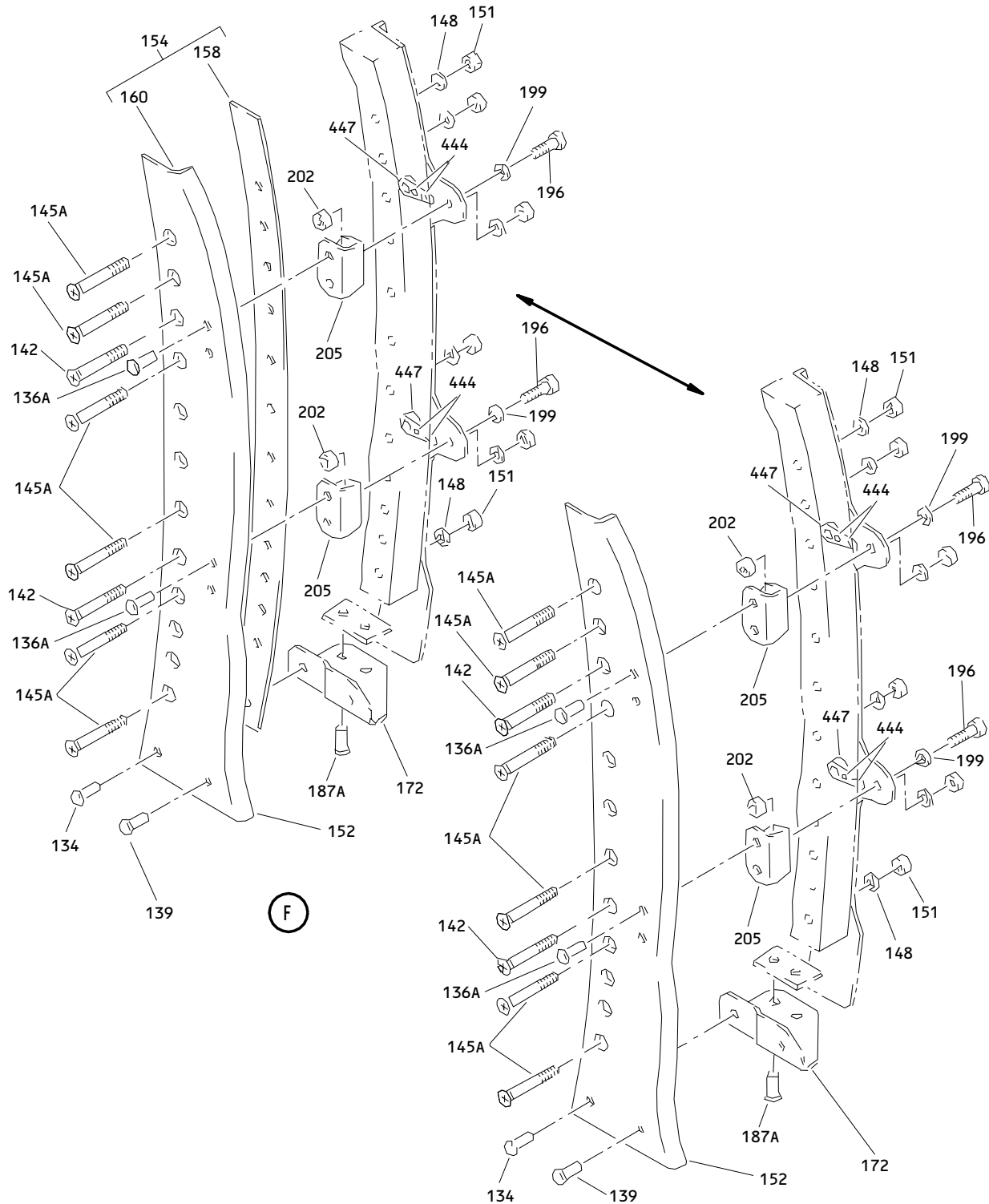
ILLUSTRATED PARTS LIST
 01.1 Page 1088L
 Jul 01/05



Hinge Support Diaphragm Assembly
Figure 5 (Sheet 19)

78-31-45

ILLUSTRATED PARTS LIST
01.1 Page 1088M
Jul 01/05



Hinge Support Diaphragm Assembly
 Figure 5 (Sheet 20)

78-31-45

ILLUSTRATED PARTS LIST
 01.1 Page 1088N
 Jul 01/05



BOEING
COMPONENT
MAINTENANCE MANUAL

FIG. & ITEM	PART NO.	AIRLINE PART NUMBER	NOMENCLATURE 1234567	EFF CODE	QTY PER ASSY
05-					
-1	315T3501-13		DIAPHRAGM ASSY-HINGE SPRT	A,C,E	RF
-1A	315T3501-27		DIAPHRAGM ASSY-HINGE SPRT	E	RF
-3	315T3501-14		DIAPHRAGM ASSY-HINGE SPRT	B,D,F	RF
-3A	315T3501-28		DIAPHRAGM ASSY-HINGE SPRT	F	RF
-5	315T3501-5001		.DIAPHRAGM ASSY-HINGE SPRT (LIMITED) (USED ON ITEM 1)	A,C,E	1
-5A	315T3501-5003		.DIAPHRAGM ASSY-HINGE SPRT (LIMITED) (USED ON ITEM 1)	A,C,E	1
-5B	315T3501-5027		.DIAPHRAGM ASSY-HINGE SPRT (LIMITED) (USED ON ITEM 1)	A,C,E	1
-5C	315T3501-5029		.DIAPHRAGM ASSY-HINGE SPRT (LIMITED) (USED ON ITEM 1)	A,C,E	1
-5D	315T3501-5033		.DIAPHRAGM ASSY-HINGE SPRT (LIMITED) (USED ON ITEM 1)	A,C,E	1
-5E	315T3501-5035		.DIAPHRAGM ASSY-HINGE SPRT (LIMITED) (USED ON ITEM 1)	A,C,E	1
-5F	315T3501-5037		.DIAPHRAGM ASSY-HINGE SPRT (LIMITED) (USED ON ITEM 1)	A,C,E	1
-5G	315T3501-5049		.DIAPHRAGM ASSY-HINGE SPRT (LIMITED) (USED ON ITEM 1)	A,C,E	1
-5H	315T3501-5057		.DIAPHRAGM ASSY-HINGE SPRT (LIMITED) (USED ON ITEM 1)	A,C,E	1
-5J	315T3501-5059		.DIAPHRAGM ASSY-HINGE SPRT (LIMITED) (USED ON ITEM 1)	A,C,E	1
-5K	315T3501-5063		.DIAPHRAGM ASSY-HINGE SPRT (LIMITED) (USED ON ITEM 1)	A,C,E	1
-5L	315T3501-5065		.DIAPHRAGM ASSY-HINGE SPRT (LIMITED) (USED ON ITEM 1A)	E	1
-5M	315T3501-5067		.DIAPHRAGM ASSY-HINGE SPRT (LIMITED) (USED ON ITEM 1A)	E	1

78-31-45

ILLUSTRATED PARTS LIST
01.1 Page 10880
Jul 01/05

FIG. & ITEM	PART NO.	AIRLINE PART NUMBER	NOMENCLATURE 1234567	EFF CODE	QTY PER ASSY
05- -7	315T3501-5002		.DIAPHRAGM ASSY-HINGE SPRT (LIMITED) (USED ON ITEM 3)	B,D,F	1
-7A	315T3501-5004		.DIAPHRAGM ASSY-HINGE SPRT (LIMITED) (USED ON ITEM 3)	B,D,F	1
-7B	315T3501-5028		.DIAPHRAGM ASSY-HINGE SPRT (LIMITED) (USED ON ITEM 3)	B,D,F	1
-7C	315T3501-5030		.DIAPHRAGM ASSY-HINGE SPRT (LIMITED) (USED ON ITEM 3)	B,D,F	1
-7D	315T3501-5034		.DIAPHRAGM ASSY-HINGE SPRT (LIMITED) (USED ON ITEM 3)	B,D,F	1
-7E	315T3501-5036		.DIAPHRAGM ASSY-HINGE SPRT (LIMITED) (USED ON ITEM 3)	B,D,F	1
-7F	315T3501-5038		.DIAPHRAGM ASSY-HINGE SPRT (LIMITED) (USED ON ITEM 3)	B,D,F	1
-7G	315T3501-5050		.DIAPHRAGM ASSY-HINGE SPRT (LIMITED) (USED ON ITEM 3)	B,D,F	1
-7H	315T3501-5058		.DIAPHRAGM ASSY-HINGE SPRT (LIMITED) (USED ON ITEM 3)	B,D,F	1
-7J	315T3501-5060		.DIAPHRAGM ASSY-HINGE SPRT (LIMITED) (USED ON ITEM 3)	B,D,F	1
-7K	315T3501-5064		.DIAPHRAGM ASSY-HINGE SPRT (LIMITED) (USED ON ITEM 3)	B,D,F	1
-7L	315T3501-5066		.DIAPHRAGM ASSY-HINGE SPRT (LIMITED) (USED ON ITEM 3A)	F	1
-7M	315T3501-5068		.DIAPHRAGM ASSY-HINGE SPRT (LIMITED) (USED ON ITEM 3A)	F	1
10	BACR15CE5KE		DELETED		
10A	NAS1399D5-4		..RIVET		3
13	CR2164-5-2		DELETED		

78-31-45

 ILLUSTRATED PARTS LIST
 01.1 Page 1088P
 Jul 01/05

BOEING
COMPONENT
MAINTENANCE MANUAL

FIG. & ITEM	PART NO.	AIRLINE PART NUMBER	NOMENCLATURE 1234567	EFF CODE	QTY PER ASSY
05-13A	CR2164-5-3		..RIVET- (V11815) (USED ON ITEMS 5, 5A, 5B, 5C, 5D, 5E, 5G, 7, 7A, 7B, 7C, 7D, 7E, 7G)		4
-13B	NAS1399D5-3		..RIVET- (USED ON ITEMS 5F, 5H, 5J, 5K, 5L, 5M, 7F, 7H, 7J, 7K, 7L, 7M)		4
16	BACB30NN3K16		..BOLT		9
19	BACB30NN3K17		..BOLT		3
22	AN960-10L		..WASHER		9
25	BRH10C3M		..NUT- (V52828) (SPEC BACN10JC3CM) (OPT T6C1032JM (V11815)) (OPT 97E02 (V80539)) (OPT 109LH9075-3W (V72962)) (OPT VN303D02 (V92215)) (OPT NS202101SE02 (V80539)) (OPT H01-3BAC (V15653))		9
28	BACS40R09C09F		..SHIM		1
29	315T4534-3		..FAIRING- (USED ON ITEMS 5F, 5H, 5J, 5K, 5L, 5M)	A,C,E	1
-30	315T4534-4		..FAIRING- (USED ON ITEMS 7F, 7H, 7J, 7K, 7L, 7M)	B,D,F	1

78-31-45

ILLUSTRATED PARTS LIST
01.1 Page 1088Q
Jul 01/05

FIG. & ITEM	PART NO.	AIRLINE PART NUMBER	NOMENCLATURE 1234567	EFF CODE	QTY PER ASSY
05-31	315T3550-3		..FAIRING ASSY- (USED ON ITEMS 5, 5A, 5B, 5C, 5D, 5E, 5G)	A,C,E	1
-34	315T3550-4		..FAIRING ASSY- (USED ON ITEMS 7, 7A, 7B, 7C, 7D, 7E, 7G)	B,D,F	1
37	315T3550-11		...DOUBLER	A,C,E	1
-40	315T3550-12		...DOUBLER	B,D,F	1
43	315T3550-7		...FAIRING	A,C,E	1
-46	315T3550-8		...FAIRING	B,D,F	1
49	BACR15CE5KE		DELETED		
49A	NAS1399D5-3		..RIVET		6
52	315T3526-11		..FAIRING- (USED ON ITEMS 5, 5A)	A,C,E	1
-52A	315T3526-63		..FAIRING- (USED ON ITEMS 5B, 5C, 5D)	A,C,E	1
-52B	315T3526-79		..FAIRING- (USED ON ITEMS 5E, 5F, 5G, 5H, 5J, 5K, 5L, 5M)	A,C,E	1
-55	315T3526-12		..FAIRING- (USED ON ITEMS 7, 7A)	B,D,F	1
-55A	315T3526-64		..FAIRING- (USED ON ITEMS 7B, 7C, 7D)	B,D,F	1
-55B	315T3526-80		..FAIRING- (USED ON ITEMS 7E, 7F, 7G, 7H, 7J, 7K, 7L, 7M)	B,D,F	1

78-31-45

 ILLUSTRATED PARTS LIST
 01.1 Page 1088R
 Jul 01/05

BOEING
COMPONENT
MAINTENANCE MANUAL

FIG. & ITEM	PART NO.	AIRLINE PART NUMBER	NOMENCLATURE 1234567	EFF CODE	QTY PER ASSY
05- 58 58A 61	BACR15CE5KE NAS1399D5-3 HL11VAZ5-4		DELETED ..RIVET ..BOLT- (V60516) (SPEC BACB30NW5K4) (OPT B30NW5K4 (V97928)) (OPT HL11VAZ5-4 (V73197)) (OPT HL11VAZ5-4 (V92215)) (OPT HL11VAZ5-4 (V97928)) (OPT L803-5K4 (V06725)) (OPT HL11VAZ5-4 (V0PTK6)) (OPT HL11VAZ5-4 (V56878)) (ITEM 65 OPT ITEMS 61, 64)		13 4
64	HL70-5		..COLLAR- (V5M902) (SPEC BACC30M5) (OPT HL70-5 (V73197)) (OPT HL70-5 (V92215)) (OPT 66014-5 (V56878)) (OPT HL70-5 (V56878)) (ITEM 65 OPT ITEMS 61, 64)		4
65	NAS1399D5-4		..RIVET- (ITEM 65 OPT ITEMS 61, 64)		4
67	315T3526-7		..FAIRING- (USED ON ITEMS 5, 5A, 7, 7A)		1

78-31-45

ILLUSTRATED PARTS LIST
01.1 Page 1088S
Jul 01/05

FIG. & ITEM	PART NO.	AIRLINE PART NUMBER	NOMENCLATURE 1234567	EFF CODE	QTY PER ASSY
05- -67A	315T3526-59		..FAIRING- (USED ON ITEMS 5B, 5C, 5D, 7B, 7C, 7D)		1
-67B	315T3526-75		..FAIRING- (USED ON ITEMS 5E, 5F, 5G, 5H, 5J, 5K, 5L, 5M, 7E, 7F, 7G, 7H, 7J, 7K, 7L, 7M)		1
70	BACR15CE5KE		DELETED		
70A	NAS1399D5-2		..RIVET		85
73	315T3526-13		..FAIRING- (USED ON ITEMS 5, 5A, 7, 7A)		5
-73A	315T3526-65		..FAIRING- (USED ON ITEMS 5B, 5C, 5D, 5E, 5F, 5G, 5H, 5J, 5K, 5L, 5M, 7C, 7D, 7E, 7F, 7G, 7H, 7J, 7K, 7L, 7M)		5
76	NAS1399D5-2		..RIVET		64
79	HL11VAZ5-4		..BOLT- (V60516) (SPEC BACB30NW5K4) (OPT B30NW5K4 (V97928)) (OPT HL11VAZ5-4 (V73197)) (OPT HL11VAZ5-4 (V92215)) (OPT HL11VAZ5-4 (V97928)) (OPT L803-5K4 (V06725)) (OPT HL11VAZ5-4 (V0PTK6)) (OPT HL11VAZ5-4 (V56878)) (ITEM 83 OPT ITEMS 79, 82)		16

78-31-45

 ILLUSTRATED PARTS LIST
 01.1 Page 1088T
 Jul 01/05

BOEING
COMPONENT
MAINTENANCE MANUAL

FIG. & ITEM	PART NO.	AIRLINE PART NUMBER	NOMENCLATURE 1234567	EFF CODE	QTY PER ASSY
05-82	HL70-5		..COLLAR- (V5M902) (SPEC BACC30M5) (OPT HL70-5 (V73197)) (OPT HL70-5 (V92215)) (OPT 66014-5 (V56878)) (OPT HL70-5 (V56878)) (ITEM 83 OPT ITEMS 79, 82)		16
83	NAS1399D5-4		..RIVET- (ITEM 83 OPT ITEMS 79, 82)		16
85	315T3526-14		..FAIRING- (USED ON ITEMS 5, 5A, 7, 7A)		4
-85A	315T3526-66		..FAIRING- (USED ON ITEMS 5B, 5C, 5D, 5F, 5G, 5H, 5J, 5K, 5L, 5M, 7B, 7C, 7D, 7F, 7G, 7H, 7J, 7K, 7L, 7M)		4
88	BACR15CE5KE		DELETED		
88A	NAS1399D5-3		..RIVET		12
91	HL11VAZ5-4		..BOLT- (V60516) (SPEC BACB30NW5K4) (OPT B30NW5K4 (V97928)) (OPT HL11VAZ5-4 (V73197)) (OPT HL11VAZ5-4 (V92215)) (OPT HL11VAZ5-4 (V97928)) (OPT L803-5K4 (V06725)) (OPT HL11VAZ5-4 (VOPTK6)) (OPT HL11VAZ5-4 (V56878)) (ITEM 95 OPT ITEMS 91, 94)		4

78-31-45

ILLUSTRATED PARTS LIST
01.1 Page 1088U
Jul 01/05

FIG. & ITEM	PART NO.	AIRLINE PART NUMBER	NOMENCLATURE 1234567	EFF CODE	QTY PER ASSY
05-94	HL70-5		..COLLAR- (V5M902) (SPEC BACC30M5) (OPT HL70-5 (V73197)) (OPT HL70-5 (V92215)) (OPT 66014-5 (V56878)) (OPT HL70-5 (V56878)) (ITEM 95 OPT ITEMS 91, 94)		4
95	NAS1399D5-4		..RIVET- (ITEM 95 OPT ITEMS 91, 94)		4
97	315T3526-8		..FAIRING- (USED ON ITEMS 5, 5A, 7, 7A)		1
-97A	315T3526-60		..FAIRING- (USED ON ITEMS 5B, 5C, 5D, 7B, 7C, 7D)		1
-97B	315T3526-76		..FAIRING- (USED ON ITEMS 5E, 5F, 5G, 5H, 5J, 5K, 5L, 5M, 7E, 7F, 7G, 7H, 7J, 7K, 7L, 7M)		1
100	BACR15CE5KE		DELETED		
100A	NAS1399D5-3		..RIVET		7
103	315T3526-9		..FAIRING- (USED ON ITEMS 5, 5A)	A,C,E	1
-103A	315T3526-61		..FAIRING- (USED ON ITEMS 5B, 5C, 5D)	A,C,E	1
-103B	315T3526-77		..FAIRING- (USED ON ITEMS 5E, 5F, 5G, 5H, 5J, 5K)	A,C,E	1
-103C	315T3526-91		..FAIRING- (USED ON ITEMS 5L, 5M)	E	1

78-31-45

 ILLUSTRATED PARTS LIST
 01.1 Page 1088V
 Jul 01/05

 **BOEING**
COMPONENT
MAINTENANCE MANUAL

FIG. & ITEM	PART NO.	AIRLINE PART NUMBER	NOMENCLATURE 1234567	EFF CODE	QTY PER ASSY
05- -106	315T3526-10		..FAIRING- (USED ON ITEMS 7, 7A)	B,D,F	1
-106A	315T3526-62		..FAIRING- (USED ON ITEMS 7B, 7C, 7D)	B,D,F	1
-106B	315T3526-78		..FAIRING- (USED ON ITEMS 7E, 7F, 7G, 7H, 7J, 7K)	B,D,F	1
-106C	315T3526-92		..FAIRING- (USED ON ITEMS 7L, 7M)	F	1
109	BACB30MS3K19		DELETED		
109A	BACB30NN3K17		..BOLT		25
112	315T3550-2		..FAIRING- (USED ON ITEMS 5, 5A, 5B, 5C, 5D, 5E, 5G, 7, 7A, 7B, 7C, 7D, 7E, 7G)		5
-112A	315T4534-2		..FAIRING- (USED ON ITEMS 5F, 5H, 5J, 5K, 5L, 5M, 7F, 7H, 7J, 7K, 7L, 7M)		5
115	CR2164-5-2		DELETED		
115A	CR2164-5-3		..RIVET- (V11815) USED ON ITEMS 5, 5A, 5B, 5C, 5D, 5E, 7, 7A, 7B, 7C, 7D, 7E)		16
-115B	NAS1399D5-3		..RIVET- (USED ON ITEMS 5F, 5H, 5J, 5K, 5L, 5M, 7F, 7H, 7J, 7K, 7L, 7M)		16
118	BACB30NN3K16		..BOLT		32

78-31-45

ILLUSTRATED PARTS LIST
01.1 Page 1088W
Jul 01/05

FIG. & ITEM	PART NO.	AIRLINE PART NUMBER	NOMENCLATURE 1234567	EFF CODE	QTY PER ASSY
05-					
121	BACB30NN3K17		..BOLT		16
124	AN960-10L		..WASHER		32
126	BRH10C3M		..NUT-		32
			(V52828)		
			(SPEC BACN10JC3CM)		
			(OPT T6C1032JM		
			(V11815))		
			(OPT 97E02		
			(V80539))		
			(OPT 109LH9075-3W		
			(V72962))		
			(OPT VN303D02		
			(V92215))		
			(OPT NS202101SE02		
			(V80539))		
			(OPT H01-3BAC		
			(V15653))		
127	315T4534-1		..FAIRING-		4
			(USED ON ITEMS 5F, 5H,		
			5J, 5K, 5L, 5M, 7F, 7H,		
			7J, 7K, 7L, 7M)		
128	315T3550-1		..FAIRING ASSY-		4
			(USED ON ITEMS 5, 5A,		
			5B, 5C, 5D, 5E, 5G, 7,		
			7A, 7B, 7C, 7D, 7E, 7G)		
130	315T3550-14		...DOUBLER		1
131	315T3550-15		...FAIRING		1
134	NAS1399D5-3		..RIVET		1
136	CR2164-5-2		DELETED		
136A	CR2164-5-3		..RIVET-		4
			(V11815)		
			(USED ON ITEMS 5, 5A,		
			5B, 5C, 5D, 5E, 5G, 7,		
			7A, 7B, 7C, 7D, 7E, 7G)		

78-31-45

 ILLUSTRATED PARTS LIST
 01.1 Page 1088X
 Jul 01/05



BOEING
COMPONENT
MAINTENANCE MANUAL

FIG. & ITEM	PART NO.	AIRLINE PART NUMBER	NOMENCLATURE 1234567	EFF CODE	QTY PER ASSY
05- -136B	NAS1399D5-3		..RIVET- (USED ON ITEMS 5F, 5H, 5J, 5K, 5L, 5M, 7F, 7H, 7J, 7K, 7L, 7M)		4
139	CR2164-5-2		..RIVET- (V11815) (USED ON ITEMS 5, 5A, 5B, 5C, 5D, 5E, 5G, 7, 7A, 7B, 7C, 7D, 7E, 7G)		1
-139A	NAS1399D5-2		..RIVET- (USED ON ITEMS 5E, 5H, 5J, 5K, 5L, 5M, 7E, 7H, 7J, 7K, 7L, 7M)		1
142	BACB30NN3K17		..BOLT		2
145	BACB30NN3K19		DELETED		
145A	BACB30NN3K16		..BOLT		10
148	AN960-10L		..WASHER		10
151	BRH10C3M		..NUT- (V52828) (SPEC BACN10JC3CM) (OPT T6C1032JM (V11815)) (OPT 97E02 (V80539)) (OPT 109LH9075-3W (V72962)) (OPT VN303D02 (V92215)) (OPT NS202101SE02 (V80539)) (OPT H01-3BAC (V15653))		10
152	315T4534-5		..FAIRING-AFT (USED ON ITEMS 5F, 5H, 5J, 5K, 5L, 5M)	A,C,E	1
-153	315T4534-6		..FAIRING-AFT (USED ON ITEMS 7F, 7H, 7J, 7K, 7L, 7M)	B,D,F	1

78-31-45

ILLUSTRATED PARTS LIST
01.1 Page 1088Y
Jul 01/05

FIG. & ITEM	PART NO.	AIRLINE PART NUMBER	NOMENCLATURE 1234567	EFF CODE	QTY PER ASSY
05-154	315T3550-5		..FAIRING ASSY- (USED ON ITEMS 5, 5A, 5B, 5C, 5D, 5E, 5G)	A,C,E	1
-156	315T3550-6		..FAIRING ASSY- (USED ON ITEMS 7, 7A, 7B, 7C, 7D, 7E, 7G)	B,D,F	1
158	315T3550-13		...DOUBLER		1
160	315T3550-9		...FAIRING	A,C,E	1
-162	315T3550-10		...FAIRING	B,D,F	1
164	BACB30MY5K3		..BOLT		2
166	HL70-5		..COLLAR- (V5M902) (SPEC BACC30M5) (OPT HL70-5 (V73197)) (OPT HL70-5 (V92215)) (OPT 66014-5 (V56878)) (OPT HL70-5 (V56878))		2
169	315T3526-26		..CLIP- (USED ON ITEMS 5, 5A, 5B, 5C, 7, 7A, 7B, 7C)		1
-169A	315T3526-73		..CLIP- (USED ON ITEMS 5D, 5E, 5F, 5G, 5J, 7D, 7E, 7F, 7G, 7J)		1
-169B	315T3526-87		..CLIP- (USED ON ITEMS 5H, 5K, 5L, 5M)	A,C,E	1
-170	315T3526-88		..CLIP- (USED ON ITEMS 7H, 7K, 7L, 7M)	B,D,F	1
171	BACR15FT5KE		..RIVET- (SIZE DETERMINE ON INST)		2

78-31-45

 ILLUSTRATED PARTS LIST
 01.1 Page 1088Z
 Jul 01/05

 **BOEING**
COMPONENT
MAINTENANCE MANUAL

FIG. & ITEM	PART NO.	AIRLINE PART NUMBER	NOMENCLATURE 1234567	EFF CODE	QTY PER ASSY
05-					
172	315T3526-31		..CLIP	A,C,E	1
-175	315T3526-32		..CLIP	B,D,F	1
178	BACB30MY5K4		..BOLT		2
181	HL70-5		..COLLAR- (V5M902) (SPEC BACC30M5) (OPT HL70-5 (V73197)) (OPT HL70-5 (V92215)) (OPT 66014-5 (V56878)) (OPT HL70-5 (V56878))		2
184	315T3526-17		..CLIP		1
187	BACR15FT5KE		DELETED		
187A	BACR15CE5KE		..RIVET- (SIZE DETERMINE ON INST)		2
190	315T3526-29		..CLIP- (USED ON ITEM 5, 5A, 5B, 5C, 5D, 5E, 5G)	A,C,E	1
-190A	315T3526-83		..CLIP- (USED ON ITEMS 5F, 5H, 5J, 5K, 5L, 5M)	A,C,E	1
-193	315T3526-30		..CLIP- (USED ON ITEMS 7, 7A, 7B, 7C, 7D, 7E, 7G)	B,D,F	1
-193A	315T3526-84		..CLIP- (USED ON ITEMS 7F, 7H, 7J, 7K, 7L, 7M)	B,D,F	1

78-31-45

ILLUSTRATED PARTS LIST
01.1 Page 1089
Jul 01/05

FIG. & ITEM	PART NO.	AIRLINE PART NUMBER	NOMENCLATURE 1234567	EFF CODE	QTY PER ASSY
05- 196 199 202	BACB30NM3K4 AN960-10L BRH10C3M		..BOLT ..WASHER ..NUT- (V52828) (SPEC BACN10JC3CM) (OPT T6C1032JM (V11815)) (OPT 97E02 (V80539)) (OPT 109LH9075-3W (V72962)) (OPT VN303D02 (V92215)) (OPT NS202101SE02 (V80539)) (OPT H01-3BAC (V15653))		12 12 12
205	315T3526-18		..CLIP- (USED ON ITEMS 5, 5A, 5B, 5C, 5D, 5E, 5G, 7, 7A, 7B, 7C, 7D, 7E, 7G)		12
-205A	315T3526-81		..CLIP- (USED ON ITEMS 5F, 5H, 5J, 5K, 5L, 5M, 7F, 7H, 7J, 7K, 7L, 7M)		12
208 211	BACB30MY5K3 HL70-5		..BOLT ..COLLAR- (V5M902) (SPEC BACC30M5) (OPT HL70-5 (V73197)) (OPT HL70-5 (V92215)) (OPT 66014-5 (V56878)) (OPT HL70-5 (V56878))		24 24

78-31-45

 ILLUSTRATED PARTS LIST
 01.1 Page 1090
 Jul 01/05

BOEING
COMPONENT
MAINTENANCE MANUAL

FIG. & ITEM	PART NO.	AIRLINE PART NUMBER	NOMENCLATURE 1234567	EFF CODE	QTY PER ASSY
05-					
214	315T3526-23		..CLIP		6
217	315T3526-24		..CLIP		6
220	BACR15FT5KE		..RIVET- (SIZE DETERMINE ON INST)		24
223	HL11VAZ6-5		..BOLT- (V60516) (SPEC BACB30NW6K5) (OPT HL11V6-5 (V92215)) (OPT HL11V6-5 (V97928)) (OPT L803-6-5 (V06725)) (OPT B30NW6K5 (V97928)) (OPT HL11VAZ6-5 (V73197)) (OPT HL11VAZ6-5 (V92215)) (OPT HL11VAZ6-5 (V56878))		12
226	BACB30MY6K5		..BOLT		12
229	BACB30MY6K3		..BOLT		27
232	BACB30MY6K4		..BOLT		9
235	HL79-6		..COLLAR- (V5M902) (SPEC BACC30M6) (OPT HL79-6 (V73197)) (OPT HL79-6 (V92215)) (OPT 66014-6 (V56878)) (OPT HL79-6 (V56878))		60
238	315T3526-21		..STIFFENER		1
241	315T3526-22		..STIFFENER		1
244	315T3526-15		..STIFFENER		5
247	315T3526-16		..STIFFENER		5
250	BACB30MY6K2		..BOLT		6

78-31-45

ILLUSTRATED PARTS LIST
01.1 Page 1090A
Jul 01/05

FIG. & ITEM	PART NO.	AIRLINE PART NUMBER	NOMENCLATURE 1234567	EFF CODE	QTY PER ASSY
05- 253 256	BACB30MY6K3 HL79-6		..BOLT ..COLLAR- (V5M902) (SPEC BACC30M6) (OPT HL79-6 (V73197)) (OPT HL79-6 (V92215)) (OPT 66014-6 (V56878)) (OPT HL79-6 (V56878))		6 12
259 262	315T3526-25 315T3158-4		..DOUBLER ..PRELOAD ASSY-BLOCKER DOOR (USED ON ITEMS 5C, 5D, 5E, 5F, 5G, 5H, 5J, 5K, 5L, 5M)	A,C,E	3 2
264	315T3158-3		..PRELOAD ASSY-BLOCKER DOOR (USED ON ITEMS 7C, 7D, 7E, 7F, 7G, 7H, 7J, 7K, 7L, 7M)	B,D,F	2
265	315T3158-1		..PRELOAD ASSY-BLOCKER DOOR (USED ON ITEMS 5C, 5D, 5E, 5F, 5G, 5H, 5J, 5K, 5L, 5M)	A,C,E	5
267	315T3158-2		..PRELOAD ASSY-BLOCKER DOOR (USED ON ITEMS 7C, 7D, 7E, 7F, 7G, 7H, 7J, 7K, 7L, 7M)	B,D,F	5
268	315T3158-2		..PRELOAD ASSY-BLOCKER DOOR (USED ON ITEMS 5C, 5D, 5E, 5F, 5G, 5H, 5J, 5K, 5L, 5M)	A,C,E	4
270	315T3158-1		..PRELOAD ASSY-BLOCKER DOOR (USED ON ITEMS 7C, 7D, 7E, 7F, 7G, 7H, 7J, 7K, 7L, 7M)	B,D,F	4

78-31-45

 ILLUSTRATED PARTS LIST
 01.1 Page 1090B
 Jul 01/05

BOEING
COMPONENT
MAINTENANCE MANUAL

FIG. & ITEM	PART NO.	AIRLINE PART NUMBER	NOMENCLATURE 1234567	EFF CODE	QTY PER ASSY
05-271	315T3158-4		..PRELOAD ASSY-BLOCKER DOOR (USED ON ITEMS 7C, 7D, 7E, 7F, 7G, 7H, 7J, 7K, 7L, 7M)	B,D,F	1
273	315T3158-3		..PRELOAD ASSY-BLOCKER DOOR (USED ON ITEMS 5C, 5D, 5E, 5F, 5G, 5H, 5J, 5K, 5L, 5M)	A,C,E	1
274	BACB30MY6K2		ATTACHING PARTS		
277	HL79-6		..BOLT		18
			..COLLAR- (V5M902) (SPEC BACC30M6) (OPT HL79-6 (V73197)) (OPT HL79-6 (V92215)) (OPT 66014-6 (V56878)) (OPT HL79-6 (V56878))		18
			-----*		
280	315T3158-9		...PAD		1
283	315T3158-8		...BRACKET- (USED ON ITEM 262)	A,C,E	1
284	315T3158-7		...BRACKET- (USED ON ITEM 264)	B,D,F	1
286	315T3158-5		...BRACKET- (USED ON ITEM 265)	A,C,E	1
287	315T3158-6		...BRACKET- (USED ON ITEM 267)	B,D,F	1
289	315T3158-6		...BRACKET- (USED ON ITEM 268)	A,C,E	1

78-31-45

ILLUSTRATED PARTS LIST
01.1 Page 1090C
Jul 01/05

FIG. & ITEM	PART NO.	AIRLINE PART NUMBER	NOMENCLATURE 1234567	EFF CODE	QTY PER ASSY
05-290	315T3158-5		...BRACKET- (USED ON ITEM 270)	B,D,F	1
292	315T3158-7		...BRACKET- (USED ON ITEM 273)	A,C,E	1
293	315T3158-8		...BRACKET- (USED ON ITEM 271)	B,D,F	1
295	BACB30NU3K6		DELETED		
295A	BACB30NN3K6		..BOLT		12
298	AN960-10L		..WASHER		12
302	BRH10C3M		..NUT- (V52828) (SPEC BACN10JC3CM) (OPT T6C1032JM (V11815)) (OPT 97E02 (V80539)) (OPT 109LH9075-3W (V72962)) (OPT VN303D02 (V92215)) (OPT NS202101SE02 (V80539)) (OPT H01-3BAC (V15653))		12
305	BACB30MY6K4		..BOLT		36
308	L8006K6		..BOLT- (V06725) (SPEC BACB30MY6K6) (OPT HL10VAZ6-6 (VOPTK6))		12

78-31-45

 ILLUSTRATED PARTS LIST
 01.1 Page 1090D
 Jul 01/05

 **BOEING**
COMPONENT
MAINTENANCE MANUAL

FIG. & ITEM	PART NO.	AIRLINE PART NUMBER	NOMENCLATURE 1234567	EFF CODE	QTY PER ASSY
05-311	HL79-6		..COLLAR- (V5M902) (SPEC BACC30M6) (OPT HL79-6 (V73197)) (OPT HL79-6 (V92215)) (OPT 66014-6 (V56878)) (OPT HL79-6 (V56878))		48
314	315T3526-2		..INTERCOSTAL- (USED ON ITEMS 5, 5A, 5B, 5C, 5D, 5E, 5F, 5G, 5J, 7, 7A, 7B, 7C, 7D, 7F, 7G, 7J)		6
-314A	315T3526-86		..INTERCOSTAL- (USED ON ITEMS 5H, 5K, 5L, 5M, 7H, 7K, 7L, 7M)		6
317	315T3526-1		..INTERCOSTAL- (USED ON ITEMS 5, 5A, 5B, 5C, 5D, 5E, 5F, 5G, 5J, 7, 7A, 7B, 7C, 7D, 7E, 7F, 7G, 7J)		6
-317A	315T3526-85		..INTERCOSTAL- (USED ON ITEMS 5H, 5K, 5L, 5M, 7H, 7K, 7L, 7M)		6
320	BACR15FT5KE		..RIVET- (SIZE DETERMINE ON INST)		30
322	315T3526-5		..CLIP		5
324	315T3526-6		..CLIP		5
327	BACB30MY6K4		..BOLT		30
330	HL79-6		..COLLAR- (V5M902) (SPEC BACC30M6) (OPT HL79-6 (V73197)) (OPT HL79-6 (V92215)) (OPT 66014-6 (V56878)) (OPT HL79-6 (V56878))		30

78-31-45

ILLUSTRATED PARTS LIST
01.1 Page 1090E
Jul 01/05

FIG. & ITEM	PART NO.	AIRLINE PART NUMBER	NOMENCLATURE 1234567	EFF CODE	QTY PER ASSY
05-					
333	BACB30NU3K5		DELETED		
333A	BACB30NN3K4		..BOLT		30
336	BACB30NU3K6		DELETED		
336A	BACB30NN3K6		..BOLT		10
339	AN960-10L		..WASHER		10
342	BRH10C3M		..NUT- (V52828) (SPEC BACN10JC3CM) (OPT T6C1032JM (V11815)) (OPT 97E02 (V80539)) (OPT 109LH9075-3W (V72962)) (OPT VN303D02 (V92215)) (OPT NS202101SE02 (V80539)) (OPT H01-3BAC (V15653))		40
345	BACS40R09C90F		..SHIM		5
348	315T3527-1		..PAN		5
351	BACR15BA3AD		..RIVET- (SIZE DETERMINE ON INST)		175
354	BRF200C3M		..NUTPLATE- (V52828) (SPEC BACN10JR3CFM) (OPT F5001-3BAC (V15653)) (OPT NS103203SE02 (V80539)) (OPT T8092C1032 (V11815)) (OPT VN152D1-02 (V92215)) (OPT 109F9201-3 (V72962))		45

78-31-45

 ILLUSTRATED PARTS LIST
 01.1 Page 1090F
 Jul 01/05

BOEING
COMPONENT
MAINTENANCE MANUAL

FIG. & ITEM	PART NO.	AIRLINE PART NUMBER	NOMENCLATURE 1234567	EFF CODE	QTY PER ASSY
05-357	BRF100C3M		..NUTPLATE- (V52828) (SPEC BACN10KB3CFM) (OPT F2001-3 (V15653)) (OPT T8113C1032C (V11815)) (OPT VN151D1-02 (V92215)) (OPT 109F9207-3 (V72962)) (OPT F2001-3 (V15653))		35
360	BACR15FT5KE		..RIVET- (SIZE DETERMINE ON INST)		4
363	BACB30NU3K4		DELETED		
363A	BACB30NN3K4		..BOLT		6
366	BACB30NU3K5		DELETED		
366A	BACB30NN3K5		..BOLT		80
369	AN960-10L		..WASHER		86
372	BRH10C3M		..NUT- (V52828) (SPEC BACN10JC3CM) (OPT T6C1032JM (V11815)) (OPT 97E02 (V80539)) (OPT 109LH9075-3W (V72962)) (OPT VN303D02 (V92215)) (OPT NS202101SE02 (V80539)) (OPT H01-3BAC (V15653))		86

78-31-45

ILLUSTRATED PARTS LIST
01.1 Page 1090G
Jul 01/05

FIG. & ITEM	PART NO.	AIRLINE PART NUMBER	NOMENCLATURE 1234567	EFF CODE	QTY PER ASSY
05-375	HL523AZ6-6		..BOLT- (V56878) (SPEC BACB30NZ6K6) (OPT HL523AZ6-6 (V0PTK6)) (OPT L804-6K6 (V06725)) (OPT HL523AZ6-6 (V92215)) (OPT HL523AZ6-6 (V73197)) (OPT HL523AZ6-6 (V06725)) (OPT HL523AZ6-6 (V97928)) (OPT HL523AZ6-6 (V60516))		2
378	HL79-6		..COLLAR- (V5M902) (SPEC BACC30M6) (OPT HL79-6 (V73197)) (OPT HL79-6 (V92215)) (OPT 66014-6 (V56878)) (OPT HL79-6 (V56878))		2
381	BACR15BA4D		..RIVET- (SIZE DETERMINE ON INST)		2

78-31-45

 ILLUSTRATED PARTS LIST
 01.1 Page 1090H
 Jul 01/05

BOEING
COMPONENT
MAINTENANCE MANUAL

FIG. & ITEM	PART NO.	AIRLINE PART NUMBER	NOMENCLATURE 1234567	EFF CODE	QTY PER ASSY
05-384	315T3523-41		..BOND ASSY	A,C,E	1
-387	315T3523-42		..BOND ASSY	B,D,F	1
390	HL19PB5-4		...BOLT- (V60516) (SPEC BACB30FN5-4) (OPT HL19PB5-4 (V73197)) (OPT HL19PB5-4 (V92215)) (OPT HL19PB5-4 (V97928)) (OPT 62547-5-4 (V56878)) (OPT HL19PB5-4 (V80539)) (OPT HL19PB5-4 (V08524)) (OPT HL19-5-4 (V06725)) (OPT L839-5-4 (V06725)) (OPT HL19PB5-4 (V56878))		16
393	HL70-5		...COLLAR- (V5M902) (SPEC BACC30M5) (OPT HL70-5 (V73197)) (OPT HL70-5 (V92215)) (OPT 66014-5 (V56878)) (OPT HL70-5 (V56878))		16
396	315T3523-45		...DOUBLER		1
399	315T3523-46		...DOUBLER		1
402	315T3523-47		...DOUBLER		1
405	315T3525-5		DELETED		
405A	315T3525-1		..FITTING		1
408	315T3525-6		DELETED		
408A	315T3525-2		..FITTING		1
411	BACB30NN3K3		..BOLT		10
414	315T3501-9		..RETAINER- (USED ON ITEMS 5, 5A, 5B, 5C, 7, 7A, 7B, 7C)		5

78-31-45

ILLUSTRATED PARTS LIST
01.1 Page 1090I
Jul 01/05

FIG. & ITEM	PART NO.	AIRLINE PART NUMBER	NOMENCLATURE 1234567	EFF CODE	QTY PER ASSY
05-417	315T3524-2		..RING- (USED ON ITEM 5)	A,C,E	1
-417A	315T3524-6		..RING- (OPT ITEM 417B) (USED ON ITEMS 5A, 5B, 5C, 5D, 5E)	A,C,E	1
-417B	315T3524-2		..RING- (OPT ITEM 417A) (USED ON ITEMS 5A, 5B, 5C, 5D, 5E)	A,C,E	1
-417C	315T3524-8		..RING- (USED ON ITEMS 5F, 5G, 5H, 5J, 5K, 5L, 5M)	A,C,E	1
-420	315T3524-1		..RING- (USED ON ITEM 7)	B,D,F	1
-420A	315T3524-5		..RING- (OPT ITEM 420B) (USED ON ITEMS 7A, 7B, 7C, 7D, 7E)	B,D,F	1
-420B	315T3524-1		..RING- (OPT ITEM 420A) (USED ON ITEMS 7A, 7B, 7C, 7D, 7E)	B,D,F	1
-420C	315T3524-7		..RING- (USED ON ITEMS 7F, 7G, 7H, 7J, 7K, 7L, 7M)	B,D,F	1
423	BRF100C3M		DELETED		
423A	BACR15BA3AD		..RIVET- (SIZE DETERMINE ON INST)		20
426	BRF100C3M		..NUTPLATE- (V52828) (SPEC BACN10KB3CFM) (OPT F2001-3 (V15653)) (OPT T8113C1032C (V11815)) (OPT VN151D1-02 (V92215)) (OPT 109F9207-3 (V72962)) (OPT F2001-3 (V15653))		10
429	BACS40R09C09F		..SHIM		10

78-31-45

 ILLUSTRATED PARTS LIST
 01.1 Page 1090J
 Jul 01/05

 **BOEING**
COMPONENT
MAINTENANCE MANUAL

FIG. & ITEM	PART NO.	AIRLINE PART NUMBER	NOMENCLATURE 1234567	EFF CODE	QTY PER ASSY
05-432	315T3501-33		..WASHER- (USED ON ITEMS 5C, 5D, 5E, 5F, 5G, 5H, 5J, 5K, 7C, 7D, 7E, 7F, 7G, 7H, 7J, 7K)		6
435	315T3501-31		..BRACKET-ANTI-ROTATION (USED ON ITEMS 5C, 5D, 5E, 5F, 5G, 5H, 5J, 5K, 7C, 7D, 7E, 7F, 7G, 7H, 7J, 7K)		5
438	315T3501-32		..BRACKET-ANTI-ROTATION (USED ON ITEMS 5C, 5D, 5E, 5F, 5G, 5H, 5J, 5K, 7C, 7D, 7E, 7F, 7G, 7H, 7J, 7K)		1
441	BACB30NN3K17		DELETED		
444	BACR15BA3AD		..RIVET- (SIZE DETERMINE ON INST)		8
447	BRF100C3M		..NUTPLATE- (V52828) (SPEC BACN10KB3CFM) (OPT F2001-3 (V15653)) (OPT T8113C1032C (V11815)) (OPT VN151D1-02 (V92215)) (OPT 109F9207-3 (V72962)) (OPT F2001-3 (V15653))		4

78-31-45

ILLUSTRATED PARTS LIST
01.1 Page 1090K
Jul 01/05

FIG. & ITEM	PART NO.	AIRLINE PART NUMBER	NOMENCLATURE 1234567	EFF CODE	QTY PER ASSY
05-					
450	BACB30NN3K19		DELETED		
453	BACR15BA3AD		..RIVET- (SIZE DETERMINE ON INST)		16
456	BRF100C3M		..NUTPLATE- (V52828) (SPEC BACN10KB3CFM) (OPT F2001-3 (V15653)) (OPT T8113C1032C (V11815)) (OPT VN151D1-02 (V92215)) (OPT 109F9207-3 (V72962)) (OPT F2001-3 (V15653))		8
459	BACB30NN3K3		DELETED		
462	BACR15BA3AD		DELETED		
465	BRF100C3M		DELETED		
468	BACR15BA3AD		DELETED		
471	BRF200C3M		DELETED		
474	BACB30MY6K5		..BOLT		2
477	HL11VAZ6-5		..BOLT- (V60516) (SPEC BACB30NW6K5) (OPT HL11V6-5 (V92215)) (OPT HL11V6-5 (V97928)) (OPT L803-6-5 (V06725)) (OPT B30NW6K5 (V97928)) (OPT HL11VAZ6-5 (V73197)) (OPT HL11VAZ6-5 (V92215)) (OPT HL11VAZ6-5 (V56878))		2

78-31-45

 ILLUSTRATED PARTS LIST
 01.1 Page 1090L
 Jul 01/05

BOEING
COMPONENT
MAINTENANCE MANUAL

FIG. & ITEM	PART NO.	AIRLINE PART NUMBER	NOMENCLATURE 1234567	EFF CODE	QTY PER ASSY
05-480	HL79-6		..COLLAR- (V5M902) (SPEC BACC30M6) (OPT HL79-6 (V73197)) (OPT HL79-6 (V92215)) (OPT 66014-6 (V56878)) (OPT HL79-6 (V56878))		4
483	315T3526-68		..BRACKET- (USED ON ITEMS 5, 5A, 5B, 5C, 5D, 5E, 5F, 5G, 5H, 5J, 7, 7A, 7B, 7C, 7D, 7E, 7F, 7G, 7H, 7J)		1
495	315T3526-41		..CLIP ASSY- (USED ON ITEMS 5, 5A, 5B, 5C, 5D, 5E, 5F, 5G, 5H, 5J, 7, 7A, 7B, 7C, 7D, 7E, 7F, 7G, 7H, 7J)		2
498	BACR15FT6KE		ATTACHING PARTS ..RIVET- (SIZE DETERMINE ON INST) (USED ON ITEMS 5, 5A, 5B, 5C, 5D, 5E, 5F, 5G, 5H, 5J, 7, 7A, 7B, 7C, 7D, 7E, 7F, 7G, 7H, 7J)		1
501	BACR15CE6KE		..RIVET- (SIZE DETERMINE ON INST) (USED ON ITEMS 5, 5A, 5B, 5C, 5D, 5E, 5F, 5G, 5H, 5J, 7, 7A, 7B, 7C, 7D, 7E, 7F, 7G, 7H, 7J) -----*		1

78-31-45

ILLUSTRATED PARTS LIST
01.1 Page 1090M
Jul 01/05

FIG. & ITEM	PART NO.	AIRLINE PART NUMBER	NOMENCLATURE 1234567	EFF CODE	QTY PER ASSY
05-504	BACR15BA3AD		...RIVET- (SIZE DETERMINE ON INST)		2
507	BRF200C3M		...NUTPLATE- (V52828) (SPEC BACN10JR3CFM) (OPT F5001-3BAC (V15653)) (OPT NS103203SE02 (V80539)) (OPT T8092C1032 (V11815)) (OPT VN152D1-02 (V92215)) (OPT 109F9201-3 (V72962))		1
510	315T3526-49		...CLIP		1
513	315T3526-34		..CLIP ASSY- (USED ON ITEMS 5, 5A, 5B, 5C, 5D, 5E, 5F, 5G, 5H, 5J, 7, 7A, 7B, 7C, 7D, 7E, 7F, 7G, 7H, 7J)		10
516	BACR15BA3AD		...RIVET- (SIZE DETERMINE ON INST)		2
519	BRF200C3M		...NUTPLATE- (V52828) (SPEC BACN10JR3CFM) (OPT F5001-3BAC (V15653)) (OPT NS103203SE02 (V80539)) (OPT T8092C1032 (V11815)) (OPT VN152D1-02 (V92215)) (OPT 109F9201-3 (V72962))		1
522	315T3526-33		...CLIP		1
525	315T3526-35		..CLIP ASSY- (USED ON ITEMS 5, 5A, 5B, 5C, 5D, 5E, 5F, 5G, 5H, 5J, 7, 7A, 7B, 7C, 7D, 7E, 7F, 7G, 7H, 7J)		4
528	BACR15BA3AD		...RIVET- (SIZE DETERMINE ON INST)		2

78-31-45

 **BOEING**
COMPONENT
MAINTENANCE MANUAL

FIG. & ITEM	PART NO.	AIRLINE PART NUMBER	NOMENCLATURE 1234567	EFF CODE	QTY PER ASSY
05-531	BRF200C3M		...NUTPLATE- (V52828) (SPEC BACN10JR3CFM) (OPT F5001-3BAC (V15653)) (OPT NS103203SE02 (V80539)) (OPT T8092C1032 (V11815)) (OPT VN152D1-02 (V92215)) (OPT 109F9201-3 (V72962))		1
534	315T3526-33		...CLIP		1
537	315T3526-39		..BRACKET ASSY- (USED ON ITEMS 5, 5A, 5B, 7, 7A, 7B)		5
-537A	315T3526-39		..BRACKET ASSY- (LIMITED) (USED ON ITEMS 5C, 7C)		5
-537B	315T3526-69		..BRACKET ASSY- (LIMITED) (USED ON ITEMS 5C, 7C)		5
-537C	315T3526-69		..BRACKET ASSY- (USED ON ITEMS 5D, 5E, 5F, 5G, 5H, 5J, 7D, 7E, 7F, 7G, 7H, 7J)		5
-537D	315T3526-89		..BRACKET- (USED ON ITEMS 5K, 5L, 5M, 7K, 7L, 7M)		5
540	BACR15BA3AD		...RIVET- (SIZE DETERMINE ON INST) (USED ON ITEMS 537, 537A, 537B, 537C)		2

78-31-45

ILLUSTRATED PARTS LIST
01.1 Page 10900
Jul 01/05

FIG. & ITEM	PART NO.	AIRLINE PART NUMBER	NOMENCLATURE 1234567	EFF CODE	QTY PER ASSY
05-543	BRF200C3M		...NUTPLATE- (V52828) (SPEC BACN10JR3CFM) (OPT F5001-3BAC (V15653)) (OPT NS103203SE02 (V80539)) (OPT T8092C1032 (V11815)) (OPT VN152D1-02 (V92215)) (OPT 109F9201-3 (V72962)) (USED ON ITEMS 537, 537A, 537B, 537C)		1
546	315T3526-47		...BRACKET- (USED ON ITEMS 537, 537A)		1
-546A	315T3526-71		...BRACKET- (USED ON ITEMS 537B, 537C)		1
549	315T3526-67		..BRACKET- (USED ON ITEMS 5, 5A, 5B, 5C, 5D, 5E, 5F, 5G, 5H, 5J, 7, 7A, 7B, 7C, 7D, 7E, 7F, 7G, 7H, 7J)		1
561	315T3526-37		..PLATE ASSY-SPLICE (USED ON ITEMS 5, 5A, 5B, 5C, 5D, 5E, 5F, 5G, 5H, 5J, 7, 7A, 7B, 7C, 7D, 7E, 7F, 7G, 7H, 7J)		1

78-31-45

 ILLUSTRATED PARTS LIST
 01.1 Page 1090P
 Jul 01/05

 **BOEING**
COMPONENT
MAINTENANCE MANUAL

FIG. & ITEM	PART NO.	AIRLINE PART NUMBER	NOMENCLATURE 1234567	EFF CODE	QTY PER ASSY
05-564	BACR15BA3AD		...RIVET- (SIZE DETERMINE ON INST)		4
567	BRF200C3M		...NUTPLATE- (V52828) (SPEC BACN10JR3CFM) (OPT F5001-3BAC (V15653)) (OPT NS103203SE02 (V80539)) (OPT T8092C1032 (V11815)) (OPT VN152D1-02 (V92215)) (OPT 109F9201-3 (V72962))		2
570	315T3526-50		...PLATE		1
573	315T3526-38		..PLATE ASSY-SPLICE (USED ON ITEMS 5, 5A, 5B, 5C, 5D, 5E, 5F, 5G, 5H, 5J, 7, 7A, 7B, 7C, 7D, 7E, 7F, 7G, 7H, 7J)		1
576	BACR15BA3AD		...RIVET- (SIZE DETERMINE ON INST)		4
579	BRF200C3M		...NUTPLATE- (V52828) (SPEC BACN10JR3CFM) (OPT F5001-3BAC (V15653)) (OPT NS103203SE02 (V80539)) (OPT T8092C1032 (V11815)) (OPT VN152D1-02 (V92215)) (OPT 109F9201-3 (V72962))		2

78-31-45

ILLUSTRATED PARTS LIST
01.1 Page 1090Q
Jul 01/05

FIG. & ITEM	PART NO.	AIRLINE PART NUMBER	NOMENCLATURE 1234567	EFF CODE	QTY PER ASSY
05-					
582	315T3526-50		...PLATE		1
585	315T3526-40		..BRACKET ASSY- (USED ON ITEMS 5, 5A, 5B, 7, 7A, 7B)		5
-585A	315T3526-40		..BRACKET ASSY- (LIMITED) (USED ON ITEMS 5C, 7C)		5
-585B	315T3526-70		..BRACKET ASSY- (LIMITED) (USED ON ITEMS 5C, 7C)		5
-585C	315T3526-70		..BRACKET ASSY- (USED ON ITEMS 5D, 5E, 5F, 5G, 5H, 5J, 7D, 7E, 7F, 7G, 7H, 7J)		5
-585D	315T3526-90		..BRACKET- (USED ON ITEMS 5K, 5L, 5M, 7K, 7L, 7M)		5
588	BACR15BA3AD		...RIVET- (SIZE DETERMINE ON INST) (USED ON ITEMS 585, 585A, 585B, 585C)		2
591	BRF200C3M		...NUTPLATE- (V52828) (SPEC BACN10JR3CFM) (OPT F5001-3BAC (V15653)) (OPT NS103203SE02 (V80539)) (OPT T8092C1032 (V11815)) (OPT VN152D1-02 (V92215)) (OPT 109F9201-3 (V72962)) (USED ON ITEMS 585, 585A, 585B, 585C)		1

78-31-45

 ILLUSTRATED PARTS LIST
 01.1 Page 1090R
 Jul 01/05

BOEING
COMPONENT
MAINTENANCE MANUAL

FIG. & ITEM	PART NO.	AIRLINE PART NUMBER	NOMENCLATURE 1234567	EFF CODE	QTY PER ASSY
05-594	315T3526-48		...BRACKET- (USED ON ITEMS 585, 585A)		1
-594A	315T3526-72		...BRACKET- (USED ON ITEMS 585B, 585C)		1
597	315T3526-36		..CLIP ASSY- (USED ON ITEMS 5, 5A, 5B, 5C, 5D, 5E, 5F, 5G, 5H, 5J, 7, 7A, 7B, 7C, 7D, 7E, 7F, 7G, 7H, 7J)		4
600	BACR15BA3AD		...RIVET- (SIZE DETERMINE ON INST)		2
603	BRF200C3M		...NUTPLATE- (V52828) (SPEC BACN10JR3CFM) (OPT F5001-3BAC (V15653)) (OPT NS103203SE02 (V80539)) (OPT T8092C1032 (V11815)) (OPT VN152D1-02 (V92215)) (OPT 109F9201-3 (V72962))		1
606	315T3526-33		...CLIP		1
609	315T3526-58		..CLIP ASSY- (USED ON ITEMS 5, 5A, 5B, 5C, 5D, 5E, 5F, 5G, 5H, 5J, 7, 7A, 7B, 7C, 7D, 7E, 7F, 7G, 7H, 7J) ATTACHING PARTS		1
612	BACR15CE6KE		..RIVET- (SIZE DETERMINE ON INST) -----*		2
615	BACR15BA3AD		...RIVET- (SIZE DETERMINE ON INST)		4

78-31-45

FIG. & ITEM	PART NO.	AIRLINE PART NUMBER	NOMENCLATURE 1234567	EFF CODE	QTY PER ASSY
05-618	BRF200C3M		...NUTPLATE- (V52828) (SPEC BACN10JR3CFM) (OPT F5001-3BAC (V15653)) (OPT NS103203SE02 (V80539)) (OPT T8092C1032 (V11815)) (OPT VN152D1-02 (V92215)) (OPT 109F9201-3 (V72962))		2
621	315T3526-57		...CLIP		1
624	315T3501-15		DELETED		
-627	315T3501-16		DELETED		
630	HL13VAZ6-5		DELETED		
633	HL11VAZ6-5		DELETED		
635	HL79-6		DELETED		
638	315T3522-56		..FITTING ASSY-HINGE (USED ON ITEMS 5L, 5M, 7L, 7M)	E,F	1
641	315T3522-54		..FITTING ASSY-HINGE (USED ON ITEMS 5L, 5M, 7L, 7M)	E,F	5
644	BACB30NM3K8		ATTACHING PARTS ..BOLT- (SELECT FROM) (USED ON ITEMS 5L, 5M, 7L, 7M)	E,F	12
-644A	BACB30NM3K7		..BOLT- (SELECT FROM) (USED ON ITEMS 5L, 5M, 7L, 7M)	E,F	12

78-31-45

 ILLUSTRATED PARTS LIST
 01.1 Page 1090T
 Jul 01/05

 **BOEING**
COMPONENT
MAINTENANCE MANUAL

FIG. & ITEM	PART NO.	AIRLINE PART NUMBER	NOMENCLATURE 1234567	EFF CODE	QTY PER ASSY
05-647	HL13VAZ6-6		..BOLT- (V56878) (SPEC BACB30NY6K6) (OPT HL13VAZ6-6 (V73197)) (OPT HL13VAZ6-6 (V92215)) (OPT HL13VAZ6-6 (V97928)) (OPT L801-6K6 (V06725)) (OPT HL13VAZ6-6 (V08524)) (OPT HL13V6 (V06725)) (OPT HL13VAZ6-6 (V60516)) (USED ON ITEMS 5L, 5M, 7L, 7M)	E,F	6
650	AN960-10L		..WASHER- (USED ON ITEMS 5L, 5M, 7L, 7M)	E,F	12
653	HL1187-6		..COLLAR- (V5M902) (SPEC BACC30X6) (OPT HL87-6 (V73197)) (OPT HL87-6 (V92215)) (OPT HL1187-6 (V56878)) (OPT HL1187-6 (V92215)) (OPT HL87-6 (V56878)) (OPT HL1187-6 (V73197)) (USED ON ITEMS 5L, 5M, 7L, 7M) -----*	E,F	6

78-31-45

ILLUSTRATED PARTS LIST
01.1 Page 1090U
Jul 01/05

FIG. & ITEM	PART NO.	AIRLINE PART NUMBER	NOMENCLATURE 1234567	EFF CODE	QTY PER ASSY
05-656	KJB229504B		...BUSHING- (V50632)	E,F	1
659	BACB28AP06P016		...BUSHING	E,F	1
662	BACB28AP04P016		...BUSHING	E,F	1
665	315T3522-60		...FITTING- (USED ON ITEM 638)	E,F	1
668	315T3522-58		...FITTING- (USED ON ITEM 641)	E,F	1
671	315T3522-53		..FITTING ASSY-HINGE (USED ON ITEMS 5L, 5M, 7L, 7M)	E,F	5
674	315T3522-55		..FITTING ASSY-HINGE (USED ON ITEMS 5L, 5M, 7L, 7M)	E,F	1
677	BACB30NM3K8		ATTACHING PARTS ..BOLT- (SELECT FROM) (USED ON ITEMS 5L, 5M, 7L, 7M)	E,F	12
-677A	BACB30NM3K7		..BOLT- (SELECT FROM) (USED ON ITEMS 5L, 5M, 7L, 7M)	E,F	12
680	HL13VAZ6-6		..BOLT- (V56878) (SPEC BACB30NY6K6) (OPT HL13VAZ6-6 (V73197)) (OPT HL13VAZ6-6 (V92215)) (OPT HL13VAZ6-6 (V97928)) (OPT L801-6K6 (V06725)) (OPT HL13VAZ6-6 (V08524)) (OPT HL13V6 (V06725)) (OPT HL13VAZ6-6 (V60516)) (USED ON ITEMS 5L, 5M, 7L, 7M)	E,F	6

78-31-45

 ILLUSTRATED PARTS LIST
 01.1 Page 1090V
 Jul 01/05

 **BOEING**
COMPONENT
MAINTENANCE MANUAL

FIG. & ITEM	PART NO.	AIRLINE PART NUMBER	NOMENCLATURE 1234567	EFF CODE	QTY PER ASSY
05-683	AN960-10L		..WASHER- (USED ON ITEMS 5L, 5M, 7L, 7M)	E,F	12
686	HL1187-6		..COLLAR- (V5M902) (SPEC BACC30X6) (OPT HL87-6 (V73197)) (OPT HL87-6 (V92215)) (OPT HL1187-6 (V56878)) (OPT HL1187-6 (V92215)) (OPT HL87-6 (V56878)) (OPT HL1187-6 (V73197)) (USED ON ITEMS 5L, 5M, 7L, 7M) -----*	E,F	6
689	KJB229504B		...BUSHING- (V50632)	E,F	2
692	BACB28AP06P016		...BUSHING	E,F	2
695	315T3522-57		...FITTING- (USED ON ITEM 671)	E,F	1
698	315T3522-59		...FITTING- (USED ON ITEM 674)	E,F	1
702	315T3501-15		.BULKHEAD ASSY- (USED ON ITEM 1) (FOR DETAILS SEE FIG. 6)	A,C,E	1

78-31-45

ILLUSTRATED PARTS LIST
01.1 Page 1090W
Jul 01/05

FIG. & ITEM	PART NO.	AIRLINE PART NUMBER	NOMENCLATURE 1234567	EFF CODE	QTY PER ASSY
05-705	315T3501-16		.BULKHEAD ASSY- (USED ON ITEM 3) (FOR DETAILS SEE FIG. 6)	B,D,F	1
708	HL13VAZ6-5		.BOLT- (V56878) (SPEC BACB30NY6K5) (OPT HL13VAZ6-5 (V73197)) (OPT HL13VAZ6-5 (V92215)) (OPT HL13VAZ6-5 (V97928)) (OPT L801-6K5 (V06725)) (OPT HL13VAZ6-5 (V08524)) (OPT HL13V5 (V06725)) (OPT HL13VAZ6-5 (V17446))		2
711	HL11VAZ6-5		.BOLT- (V60516) (SPEC BACB30NW6K5) (OPT HL11V6-5 (V92215)) (OPT HL11V6-5 (V97928)) (OPT L803-6-5 (V06725)) (OPT B30NW6K5 (V97928)) (OPT HL11VAZ6-5 (V73197)) (OPT HL11VAZ6-5 (V92215)) (OPT HL11VAZ6-5 (V56878))		2

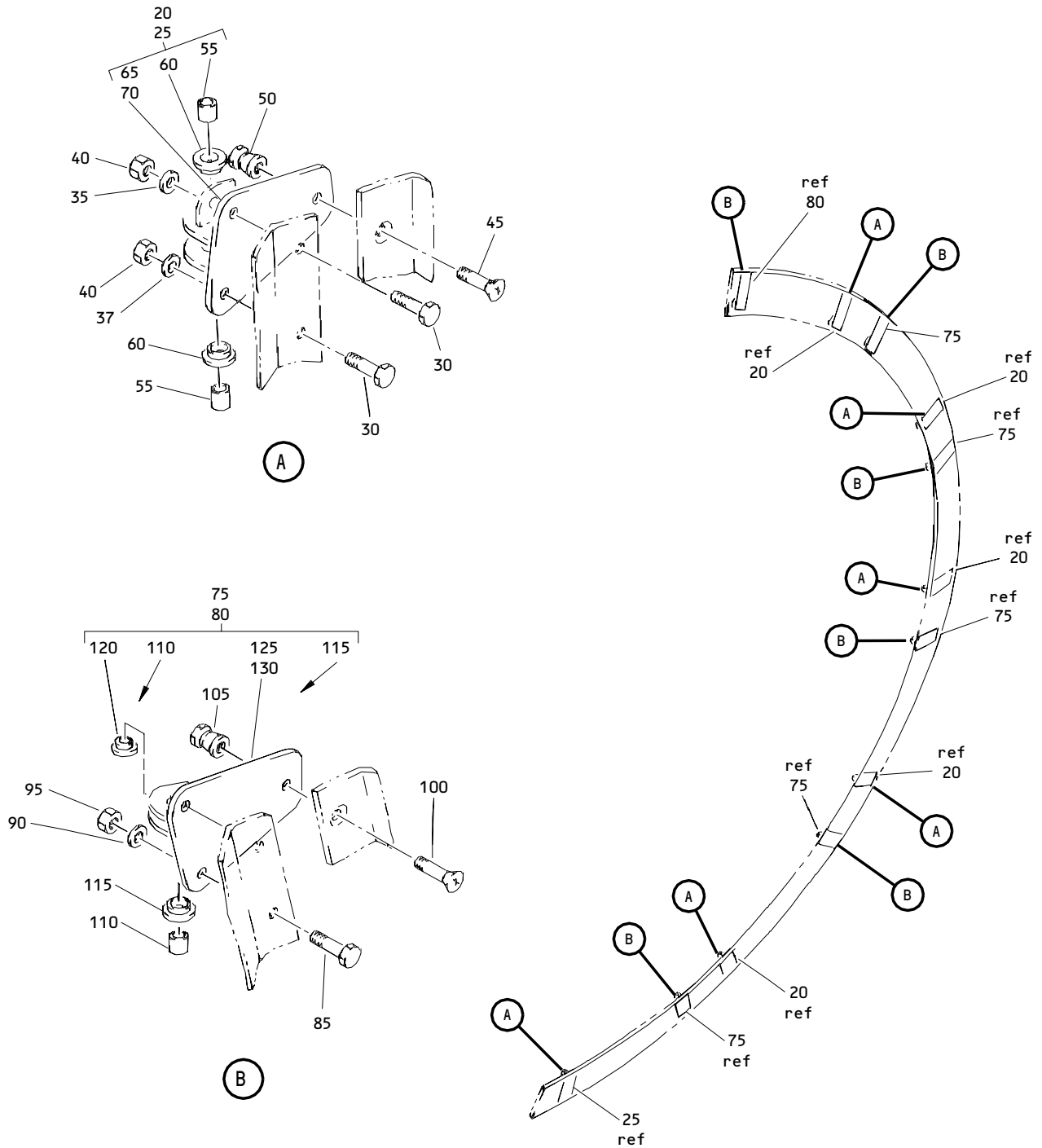
78-31-45

 ILLUSTRATED PARTS LIST
 01.1 Page 1090X
 Jul 01/05

 **BOEING**
COMPONENT
MAINTENANCE MANUAL

FIG. & ITEM	PART NO.	AIRLINE PART NUMBER	NOMENCLATURE	EFF CODE	QTY PER ASSY
05-714	HL79-6		1234567 .COLLAR- (V5M902) (SPEC BACC30M6) (OPT HL79-6 (V73197)) (OPT HL79-6 (V92215)) (OPT 66014-6 (V56878)) (OPT HL79-6 (V56878)) DELETED AN960-10L WASHER AT ANTI- ROTATION BRACKET LOCATIONS. SEE 78-31-45 FIG. 6, ITEMS 30A AND 40 FOR ATTACHING HARDWARE.		4

- Item Not Illustrated



Hinge Bulkhead Assembly
 Figure 6

78-31-45

ILLUSTRATED PARTS LIST
 01.1 Page 1090Z
 Jul 01/05



BOEING
COMPONENT
MAINTENANCE MANUAL

FIG. & ITEM	PART NO.	AIRLINE PART NUMBER	NOMENCLATURE 1234567	EFF CODE	QTY PER ASSY
06-					
-1	315T3501-15		BULKHEAD ASSY-HINGE	A,C,E	RF
-5	315T3501-16		BULKHEAD ASSY-HINGE	B,D,F	RF
-10	315T3501-5005		.BULKHEAD ASSY- (LIMITED)	A,C,E	1
-10A	315T3501-5007		.BULKHEAD ASSY- (LIMITED)	A,C,E	1
-10B	315T3501-5039		.BULKHEAD ASSY- (LIMITED)	A,C,E	1
-10C	315T3501-5041		DELETED		
-10D	315T3501-5043		.BULKHEAD ASSY- (LIMITED)	A,C,E	1
-10E	315T3501-5051		.BULKHEAD ASSY- (LIMITED)	A,C,E	1
-10F	315T3501-5053		.BULKHEAD ASSY- (LIMITED)	A,C,E	1
-10G	315T3501-5061		.BULKHEAD ASSY- (LIMITED)	A,C,E	1
-15	315T3501-5006		.BULKHEAD ASSY- (LIMITED)	B,D,F	1
-15A	315T3501-5008		.BULKHEAD ASSY- (LIMITED)	B,D,F	1
-15B	315T3501-5040		.BULKHEAD ASSY- (LIMITED)	B,D,F	1
-15C	315T3501-5042		DELETED		
-15D	315T3501-5044		.BULKHEAD ASSY- (LIMITED)	B,D,F	1
-15E	315T3501-5052		.BULKHEAD ASSY- (LIMITED)	B,D,F	1
-15F	315T3501-5054		.BULKHEAD ASSY- (LIMITED)	B,D,F	1
-15G	315T3501-5062		.BULKHEAD ASSY- (LIMITED)	B,D,F	1

78-31-45

ILLUSTRATED PARTS LIST
01.1 Page 1091
Jul 01/05

FIG. & ITEM	PART NO.	AIRLINE PART NUMBER	NOMENCLATURE 1234567	EFF CODE	QTY PER ASSY
06-20	315T3522-25		..FITTING ASSY- (REPLD BY ITEM 20A) (USED ON ITEMS 10, 15)		5
-20A	315T3522-39		..FITTING ASSY- (REPLS ITEM 20) (USED ON ITEMS 10, 15)		5
-20B	315T3522-33		..FITTING ASSY- (USED ON ITEMS 10A, 15A)		5
-20C	315T3522-43		..FITTING ASSY- (OPT ITEM 20D) (USED ON ITEMS 10B, 10E, 15B, 15E)		5
-20D	315T3522-33		..FITTING ASSY- (OPT ITEM 20C) (USED ON ITEMS 10B, 10E, 15B, 15E)		5
-20E	315T3522-53		..FITTING ASSY- (OPT ITEM 20F) (USED ON ITEMS 10D, 10F, 10G, 15D, 15F, 15G)		5
-20F	315T3522-43		..FITTING ASSY- (OPT ITEM 20E) (USED ON ITEMS 10D, 10F, 10G, 15D, 15F, 15G)		5
25	315T3522-27		..FITTING ASSY- (USED ON ITEMS 10, 15)		1
-25A	315T3522-35		..FITTING ASSY- (USED ON ITEMS 10A, 15A,		1
-25B	315T3522-47		..FITTING ASSY- (OPT ITEM 25C) (USED ON ITEMS 10B, 10E, 15B, 15E)		1
-25C	315T3522-35		..FITTING ASSY- (OPT ITEM 25B) (USED ON ITEMS 10B, 10E, 15B, 15E)		1
-25D	315T3522-55		..FITTING ASSY- (OPT ITEM 25E) (USED ON ITEMS 10D, 10F, 10G, 15D, 15F, 15G)		1
-25E	315T3522-47		..FITTING ASSY- (OPT ITEM 25D) (USED ON ITEMS 10D, 10F, 10G, 15D, 15F, 15G)		1
			ATTACHING PARTS		

78-31-45

 ILLUSTRATED PARTS LIST
 01.1 Page 1092
 Jul 01/05

BOEING
COMPONENT
MAINTENANCE MANUAL

FIG. & ITEM	PART NO.	AIRLINE PART NUMBER	NOMENCLATURE 1234567	EFF CODE	QTY PER ASSY
06-					
30	BACB30NM3K7		..BOLT		12
-30A	BACB30NM3K8		..BOLT		12
35	AN960-10L		..WASHER		6
37	AN960-10L		..WASHER		6
40	BACN10GW3AS		..NUT		12
45	HL13VAZ6-6		..BOLT- (V56878) (SPEC BACB30NY6K6) (OPT HL13VAZ6-6 (V73197)) (OPT HL13VAZ6-6 (V92215)) (OPT HL13VAZ6-6 (V97928)) (OPT L801-6K6 (V06725)) (OPT HL13VAZ6-6 (V08524)) (OPT HL13V6 (V06725)) (OPT HL13VAZ6-6 (V60516))		6
50	HL1187DU6		..COLLAR- (V5M902) (SPEC BACC30X6S) (OPT HL87DU6 (V73197)) (OPT HL87DU6 (V92215)) (OPT HL1187DU6 (V56878)) (OPT HL1187DU6 (V92215)) (OPT HL87DU6 (V56878)) (OPT HL1187DU6 (V73197)) -----*		6

78-31-45

ILLUSTRATED PARTS LIST
01.1 Page 1092A
Jul 01/05

FIG. & ITEM	PART NO.	AIRLINE PART NUMBER	NOMENCLATURE 1234567	EFF CODE	QTY PER ASSY
06-55	BACB28AK04-038		...BUSHING- (USED ON ITEMS 20, 20A, 25)		2
-55A	KJB229504B		...BUSHING- (V50632) (USED ON ITEMS 20B, 20C, 20D, 20E, 25A, 25B, 25C, 25D)		2
60	BACB28AM06B016A		...BUSHING- (USED ON ITEMS 20, 20A, 25)		2
-60A	BACB28AP06P016		...BUSHING- (USED ON ITEMS 20B, 20C, 20D, 20E, 25A, 25B, 25C, 25D)		2
65	315T3522-29		...FITTING- (USED ON ITEM 20)		1
-65A	315T3522-37		...FITTING- (USED ON ITEMS 20A, 20B, 20D)		1
-65B	315T3522-41		...FITTING- (USED ON ITEM 20C)		1
-65C	315T3522-57		...FITTING- (USED ON ITEM 20E)		1
70	315T3522-31		...FITTING- (USED ON ITEMS 25, 25A, 25C)		1
-70A	315T3522-45		...FITTING- (USED ON ITEM 25B)		1
-70B	315T3522-59		...FITTING- (USED ON ITEM 25D)		1

78-31-45

 ILLUSTRATED PARTS LIST
 01.1 Page 1092B
 Jul 01/05



BOEING
COMPONENT
MAINTENANCE MANUAL

FIG. & ITEM	PART NO.	AIRLINE PART NUMBER	NOMENCLATURE 1234567	EFF CODE	QTY PER ASSY
06-75	315T3522-26		..FITTING ASSY- (REPLD BY ITEM 75A) (USED ON ITEMS 10, 15)		5
-75A	315T3522-40		..FITTING ASSY- (REPLS ITEM 75) (USED ON ITEMS 10, 15)		5
-75B	315T3522-34		..FITTING ASSY- (USED ON ITEMS 10A, 15A)		5
-75C	315T3522-44		..FITTING ASSY- (OPT ITEM 75D) (USED ON ITEMS 10B, 10E, 15B, 15E)		5
-75D	315T3522-34		..FITTING ASSY- (OPT ITEM 75C) (USED ON ITEMS 10B, 10E, 15B, 15E)		5
-75E	315T3522-54		..FITTING ASSY- (OPT ITEM 75F) (USED ON ITEMS 10D, 10F, 10G, 15D, 15F, 15G)		5
-75F	315T3522-44		..FITTING ASSY- (OPT ITEM 75E) (USED ON ITEMS 10D, 10F, 10G, 15D, 15F, 15G)		5
80	315T3522-28		..FITTING ASSY- (USED ON ITEMS 10, 15)		1
-80A	315T3522-36		..FITTING ASSY- (USED ON ITEMS 10A, 15A)		1
-80B	315T3522-48		..FITTING ASSY- (OPT ITEM 80C) (USED ON ITEMS 10B, 10E, 15B, 15E)		1
-80C	315T3522-36		..FITTING ASSY- (OPT ITEM 80B) (USED ON ITEMS 10B, 10E, 15B, 15E)		1
-80D	315T3522-56		..FITTING ASSY- (OPT ITEM 80E) (USED ON ITEMS 10D, 10F, 10G, 15D, 15F, 15G)		1
-80E	315T3522-48		..FITTING ASSY- (OPT ITEM 80D) (USED ON ITEMS 10D, 10F, 10G, 15D, 15F, 15G) ATTACHING PARTS		1

78-31-45

ILLUSTRATED PARTS LIST
01.1 Page 1092C
Jul 01/05

FIG. & ITEM	PART NO.	AIRLINE PART NUMBER	NOMENCLATURE 1234567	EFF CODE	QTY PER ASSY
06- 85 90 95 100	BACB30NM3K7 AN960-10L BACN10GW3AS HL13VAZ6-6		..BOLT ..WASHER ..NUT ..BOLT- (V56878) (SPEC BACB30NY6K6) (OPT HL13VAZ6-6 (V73197)) (OPT HL13VAZ6-6 (V92215)) (OPT HL13VAZ6-6 (V97928)) (OPT L801-6K6 (V06725)) (OPT HL13VAZ6-6 (V08524)) (OPT HL13V6 (V06725)) (OPT HL13VAZ6-6 (V60516))		12 12 12 6
105	HL1187DU6		..COLLAR- (V5M902) (SPEC BACC30X6S) (OPT HL87DU6 (V73197)) (OPT HL87DU6 (V92215)) (OPT HL1187DU6 (V56878)) (OPT HL1187DU6 (V92215)) (OPT HL87DU6 (V56878)) (OPT HL1187DU6 (V73197)) -----*		6

78-31-45

 ILLUSTRATED PARTS LIST
 01.1 Page 1092D
 Jul 01/05

 **BOEING**
COMPONENT
MAINTENANCE MANUAL

FIG. & ITEM	PART NO.	AIRLINE PART NUMBER	NOMENCLATURE 1234567	EFF CODE	QTY PER ASSY
06-110	BACB28AK04-038		...BUSHING- (USED ON ITEMS 75, 75A, 80)		1
-110A	KJB229504B		...BUSHING- (V50632) (USED ON ITEMS 75B, 75C, 75D, 75E, 80A, 80B, 80C, 80D)		1
115	BACB28AM06B016A		...BUSHING- (USED ON ITEMS 75, 75A, 80)		1
-115A	BACB28AP06P016		...BUSHING- (USED ON ITEMS 75B, 75C, 75D, 75E, 80A, 80B, 80C, 80D)		1
120	BACB28AP04P016		...BUSHING- (USED ON ITEMS 75, 75A, 75B, 75D, 75E, 80, 80A, 80C, 80D)		1
-120A	BACB28AP04P015		...BUSHING- (USED ON ITEMS 75C, 80B)		1
125	315T3522-30		...FITTING- (USED ON ITEM 75)		1
-125A	315T3522-38		...FITTING- (USED ON ITEMS 75A, 75B, 75D)		1
-125B	315T3522-42		...FITTING- (USED ON ITEM 75C)		1
-125C	315T3522-58		...FITTING- (USED ON ITEM 75E)		1
130	315T3522-32		...FITTING- (USED ON ITEMS 80, 80A, 80C)		1

78-31-45

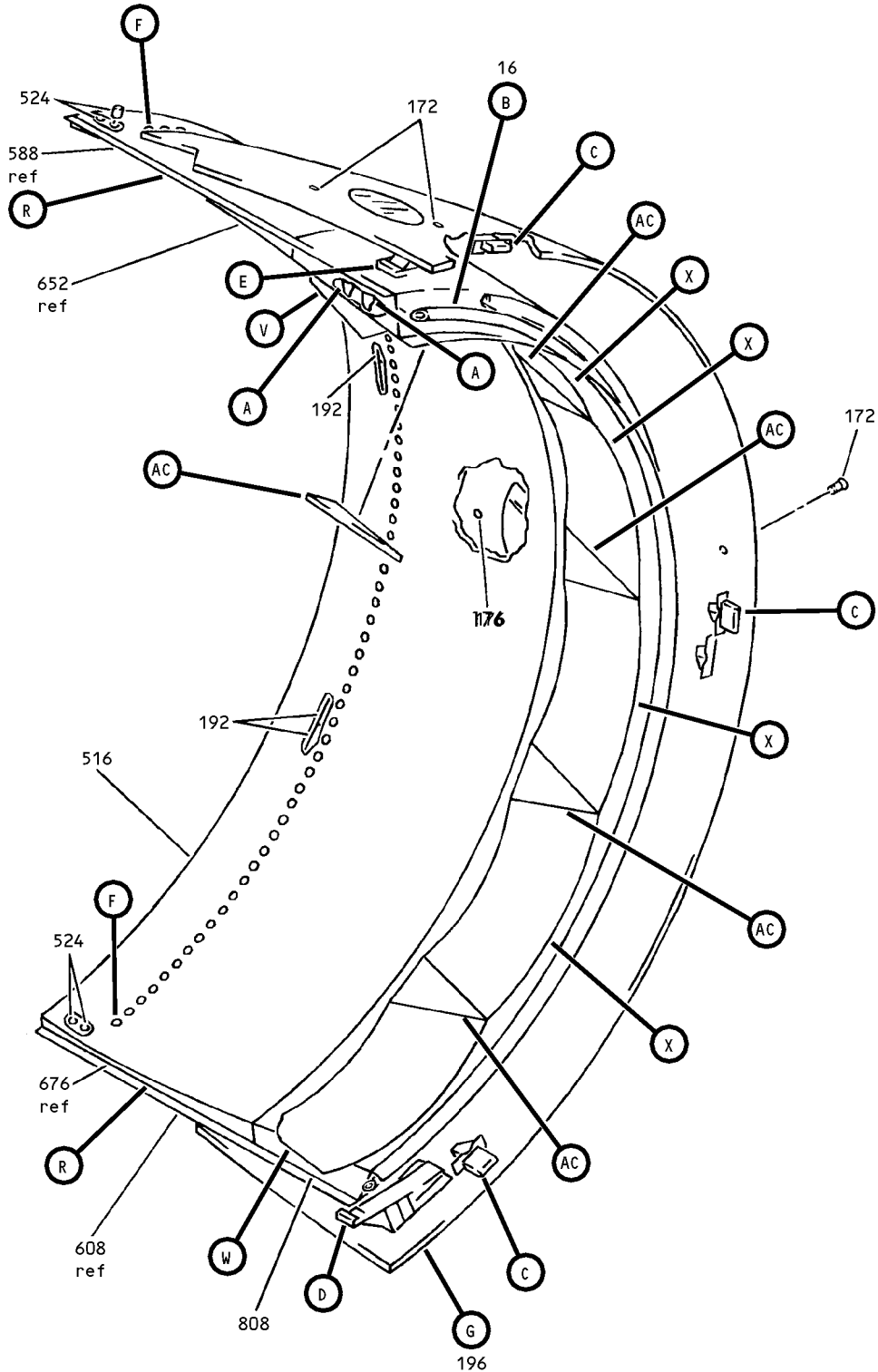
ILLUSTRATED PARTS LIST
01.1 Page 1092E
Jul 01/05

FIG. & ITEM	PART NO.	AIRLINE PART NUMBER	NOMENCLATURE	EFF CODE	QTY PER ASSY
			1234567		
06- -130A	315T3522-46		...FITTING- (USED ON ITEM 80B)		1
-130B	315T3522-60		...FITTING- (USED ON ITEM 80D) DELETED BACB30NM3K7 BOLT AT ANTI- ROTATION BRACKET LOCATIONS. 315T3401-33 REPLACES AN960-10L WASHER AT ANTI- ROTATION BRACKET LOCATIONS. WASHER IS TO BE REMOVED WHEN 315T3501-31 OR 315T3501-32 BRACKET IS INSTALLED.		1

- Item Not Illustrated

78-31-45

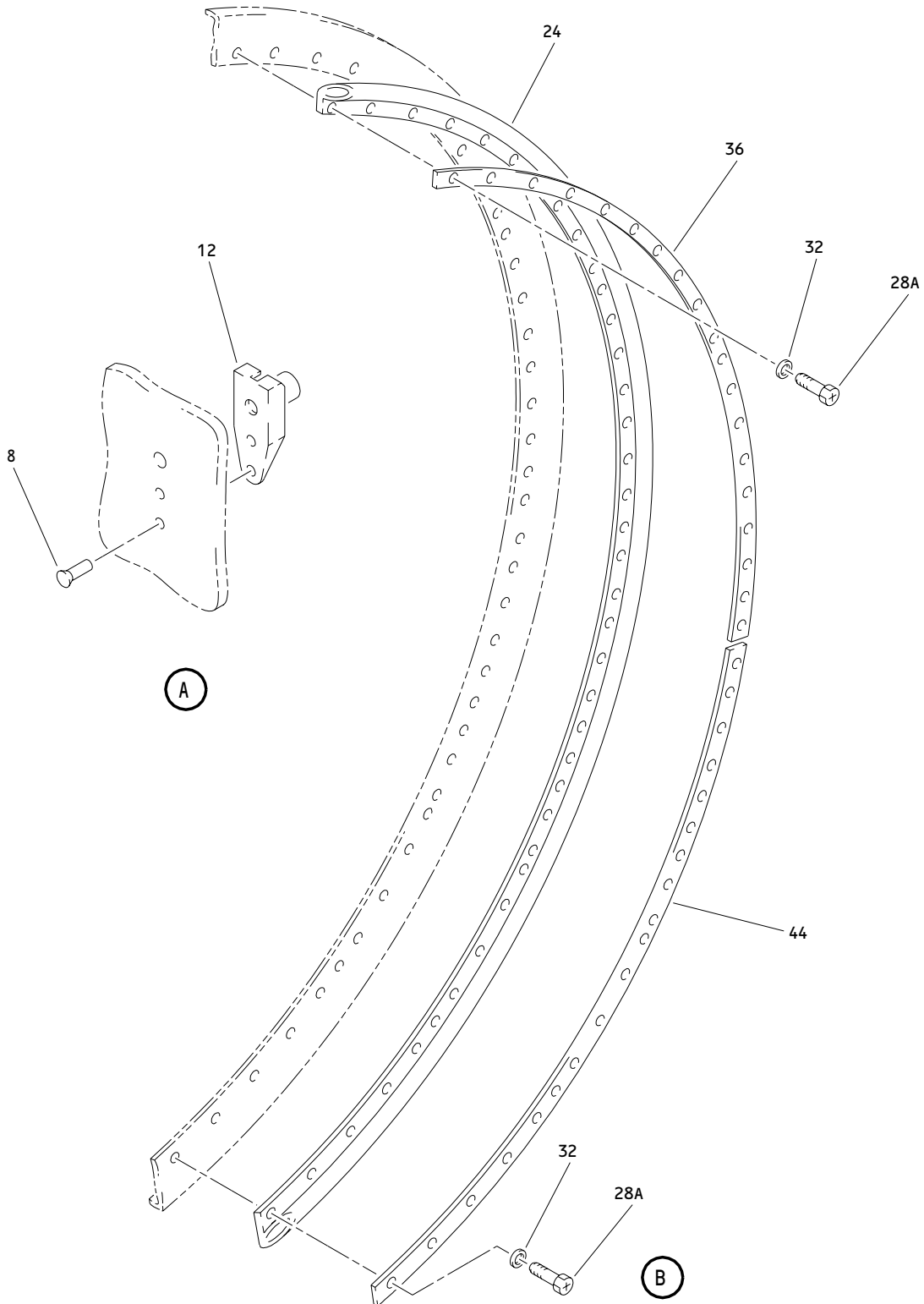
ILLUSTRATED PARTS LIST
 01.1 Page 1092F
 Jul 01/05



Thrust Reverser Sleeve Assembly
 Figure 7 (Sheet 1)

78-31-45

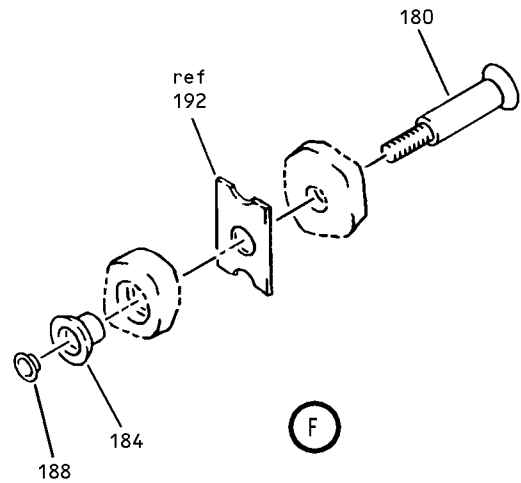
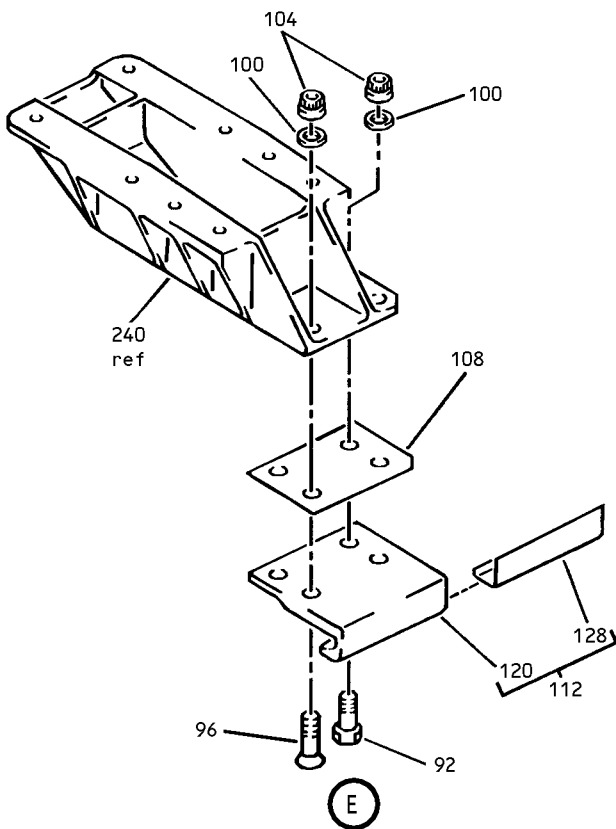
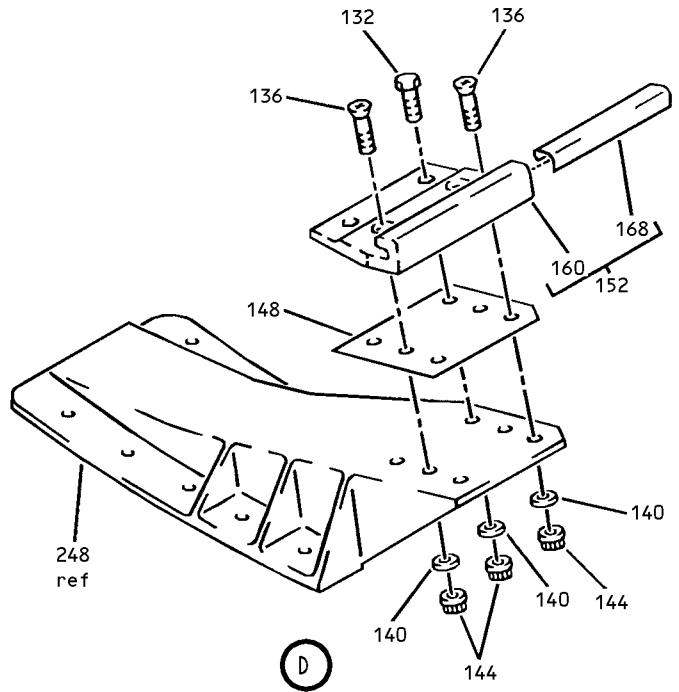
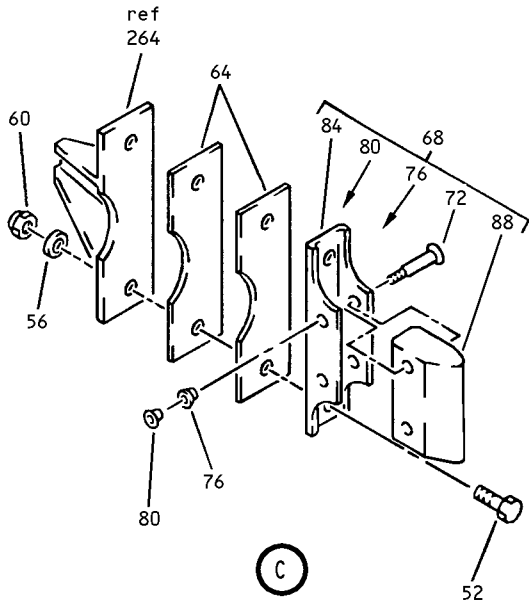
ILLUSTRATED PARTS LIST
 01.1 Page 1092H
 Jul 01/05



Thrust Reverser Sleeve Assembly
Figure 7 (Sheet 2)

78-31-45

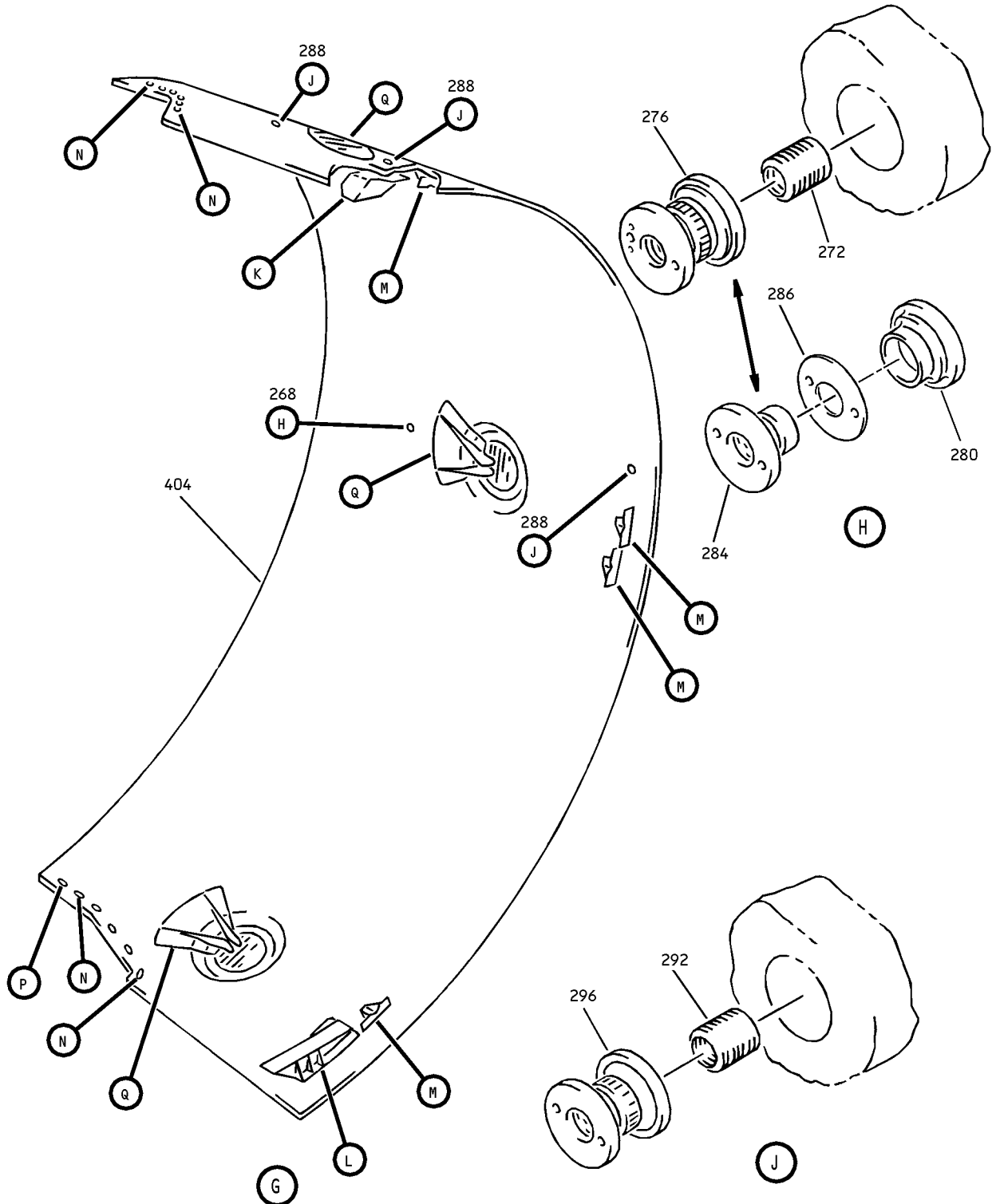
ILLUSTRATED PARTS LIST
01.1 Page 1092I
Jul 01/05



Thrust Reverser Sleeve Assembly
 Figure 7 (Sheet 3)

78-31-45

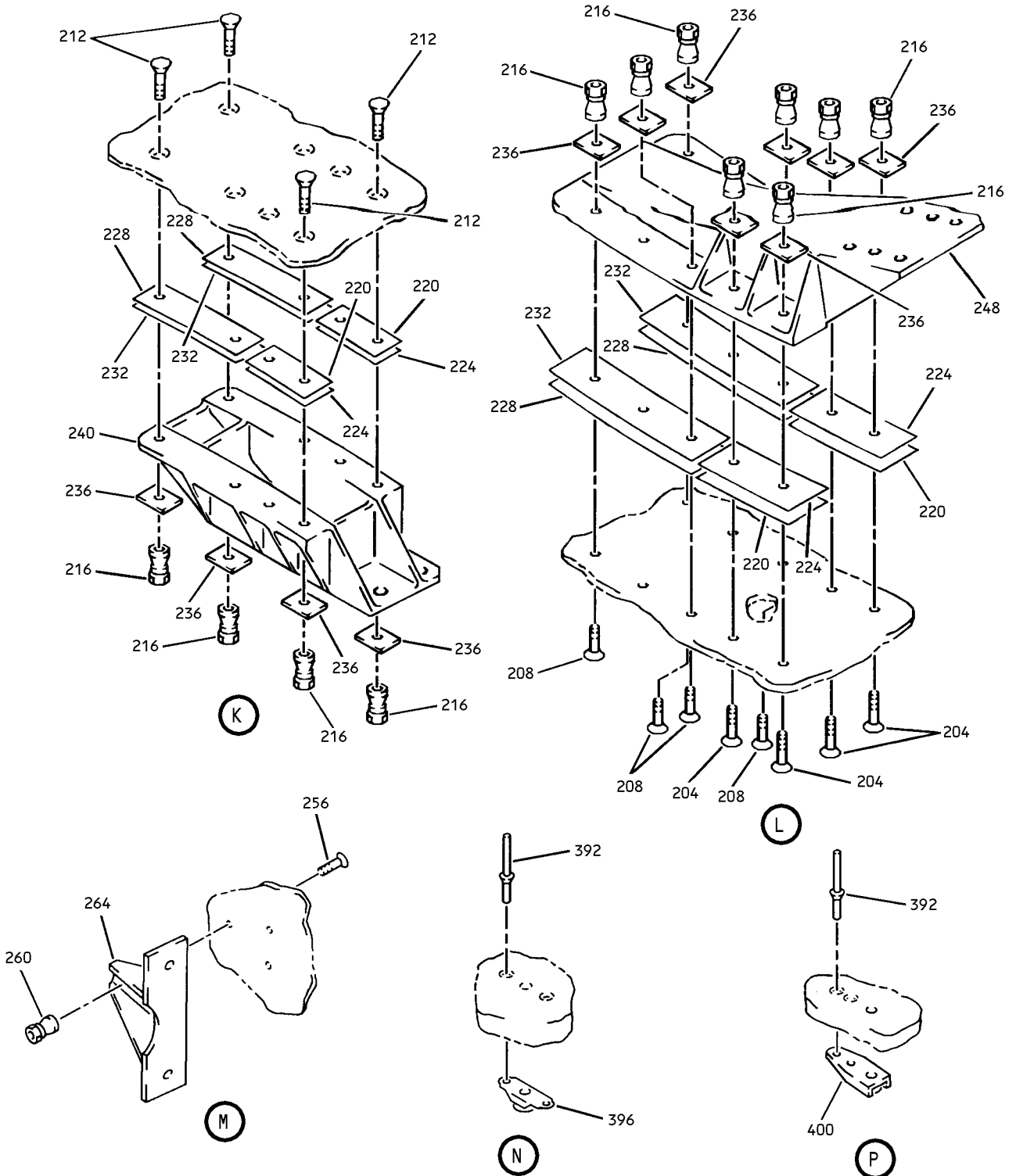
ILLUSTRATED PARTS LIST
 01.1 Page 1092J
 Jul 01/05



Thrust Reverser Sleeve Assembly
Figure 7 (Sheet 4)

78-31-45

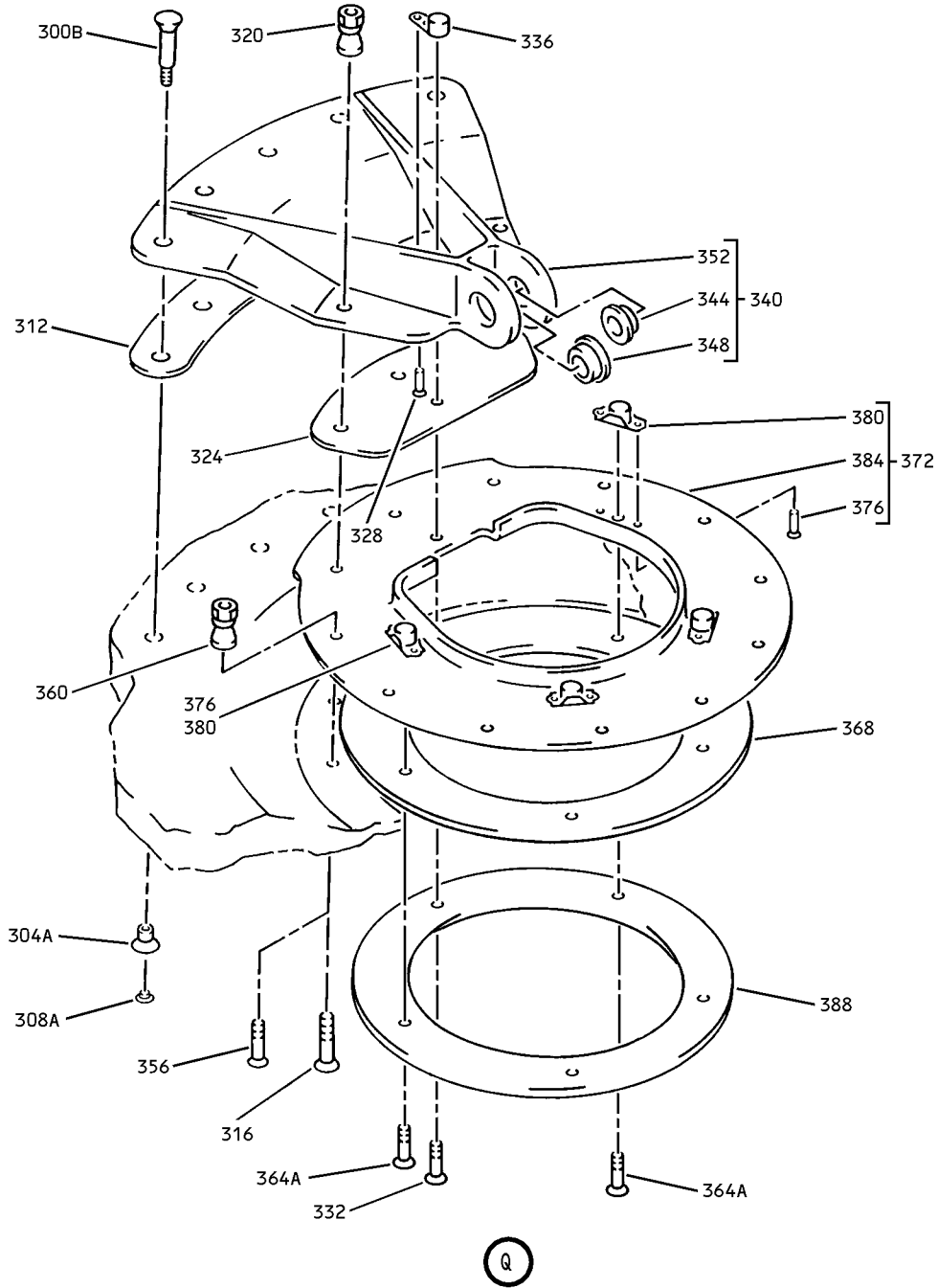
ILLUSTRATED PARTS LIST
01.1 Page 1092K
Jul 01/05



Thrust Reverser Sleeve Assembly
 Figure 7 (Sheet 5)

78-31-45

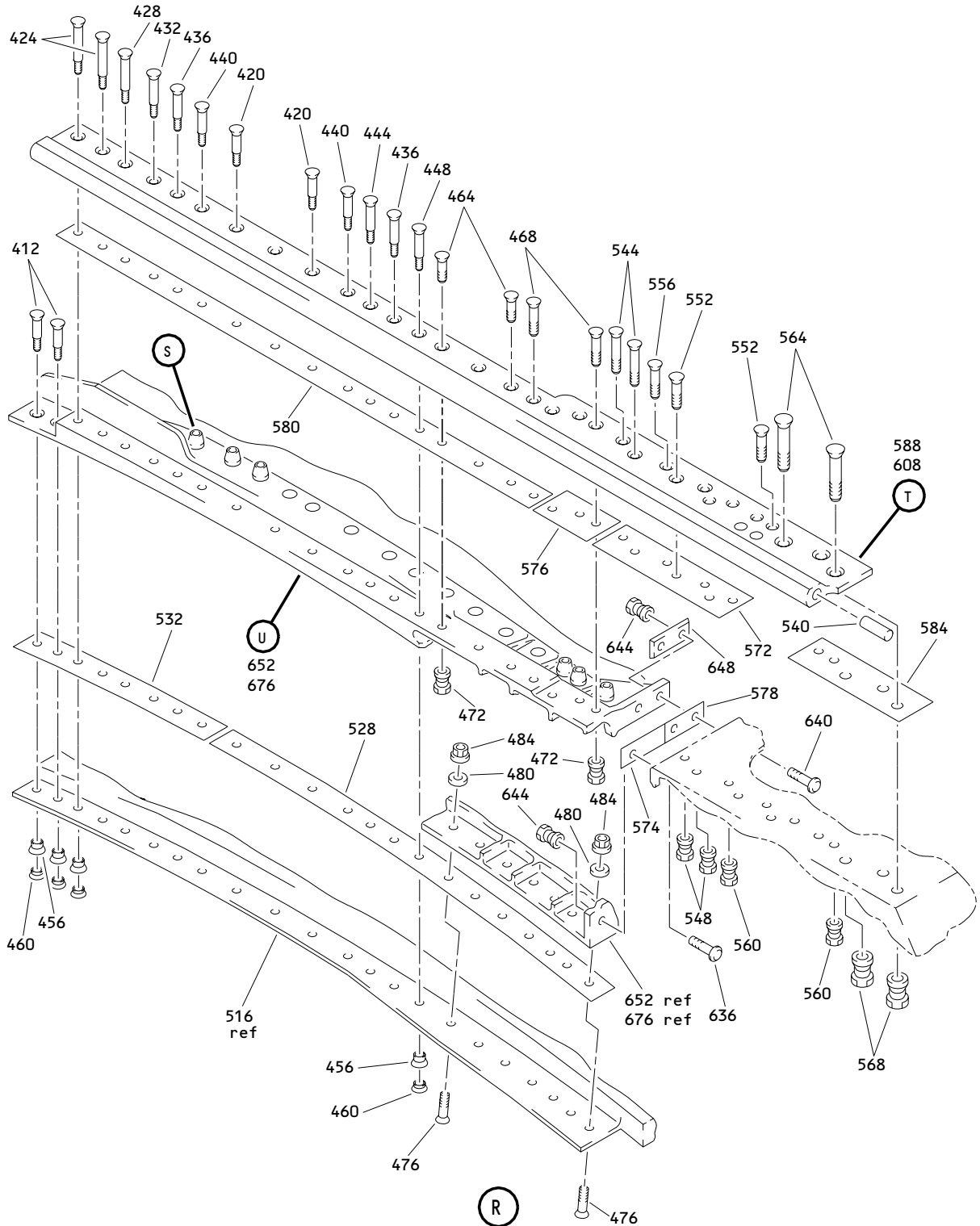
ILLUSTRATED PARTS LIST
 01.1 Page 1092L
 Jul 01/05



Thrust Reverser Sleeve Assembly
Figure 7 (Sheet 6)

78-31-45

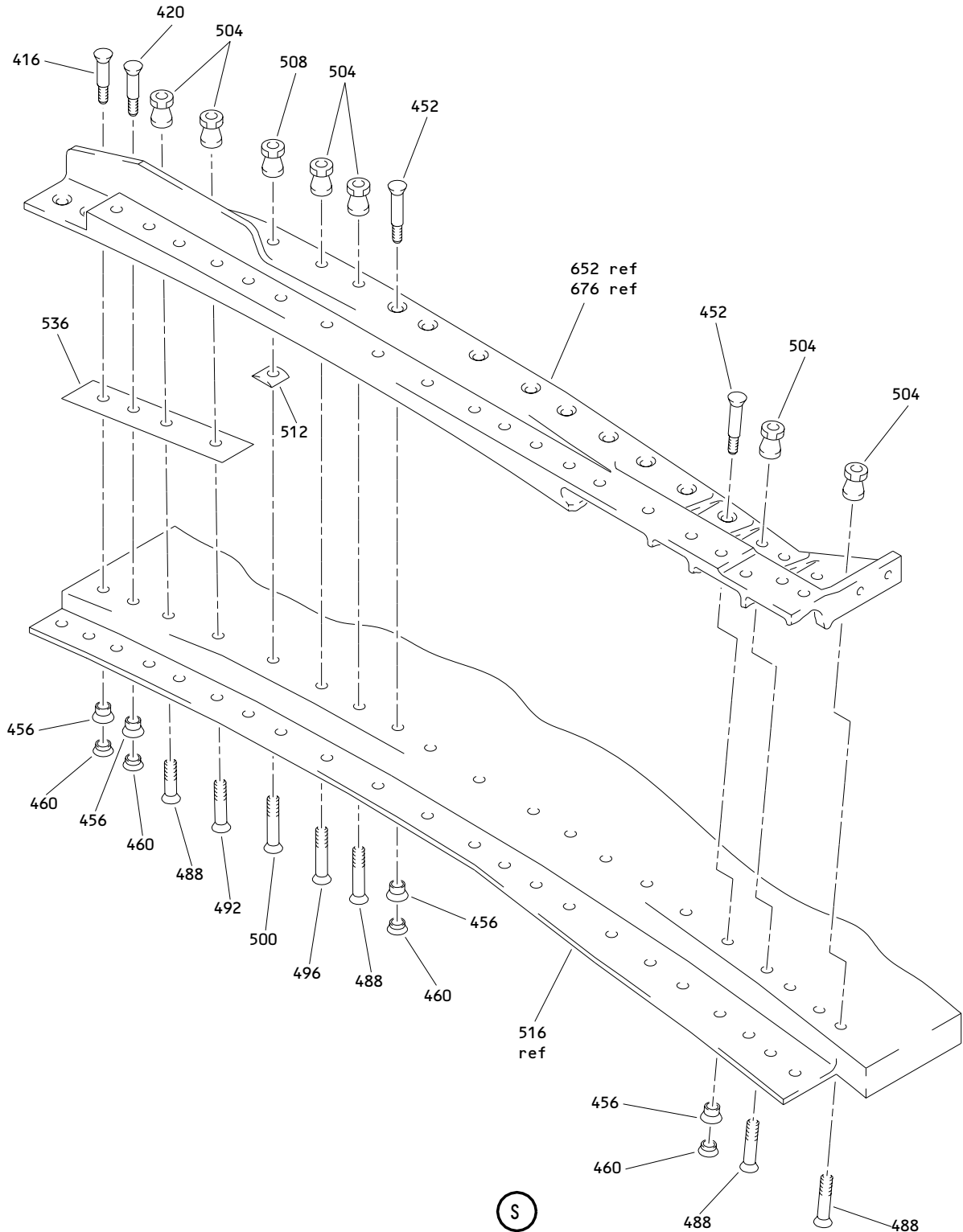
ILLUSTRATED PARTS LIST
01.1 Page 1092M
Jul 01/05



Thrust Reverser Sleeve Assembly
 Figure 7 (Sheet 7)

78-31-45

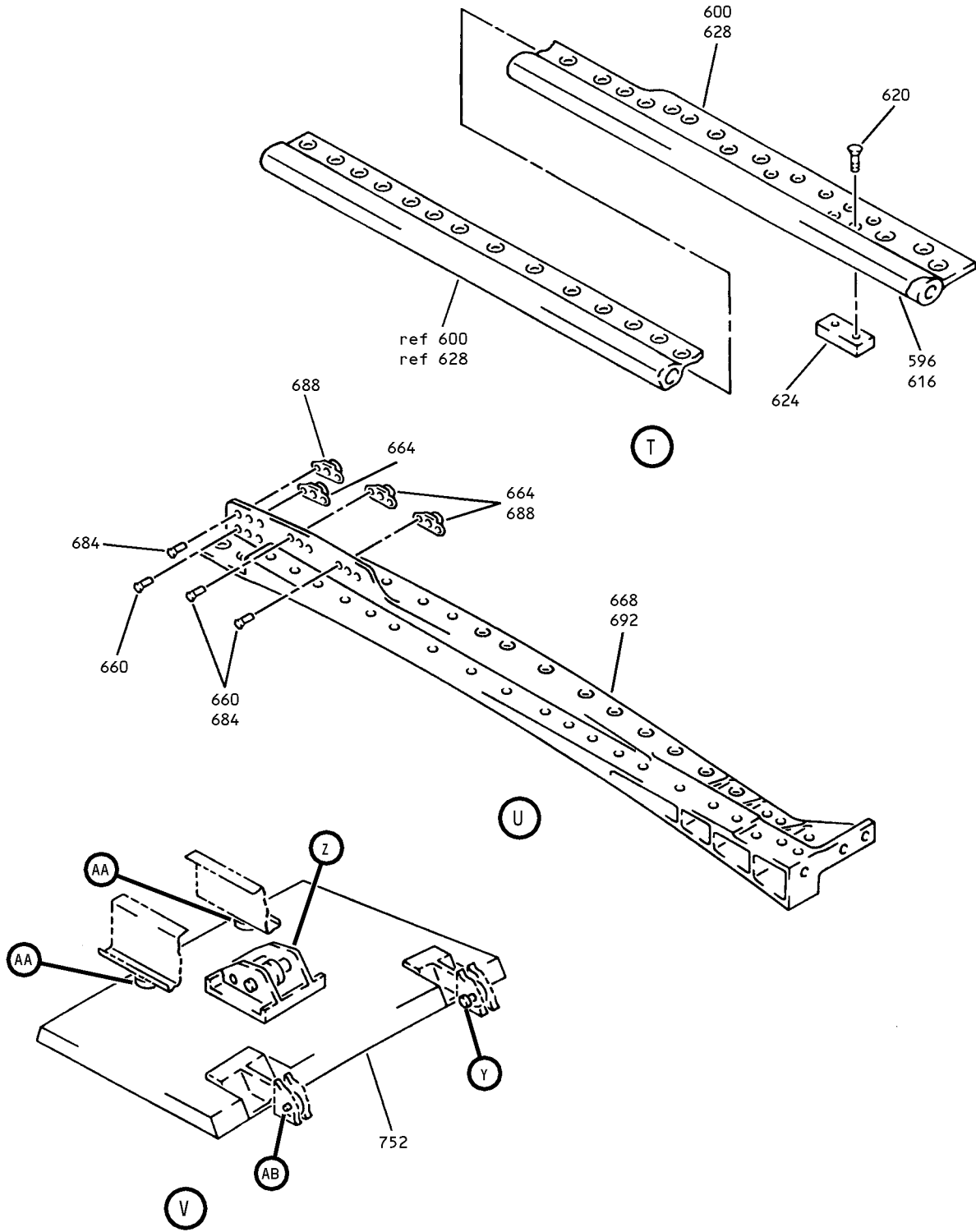
ILLUSTRATED PARTS LIST
 01.1 Page 1092N
 Jul 01/05



Thrust Reverser Sleeve Assembly
Figure 7 (Sheet 8)

78-31-45

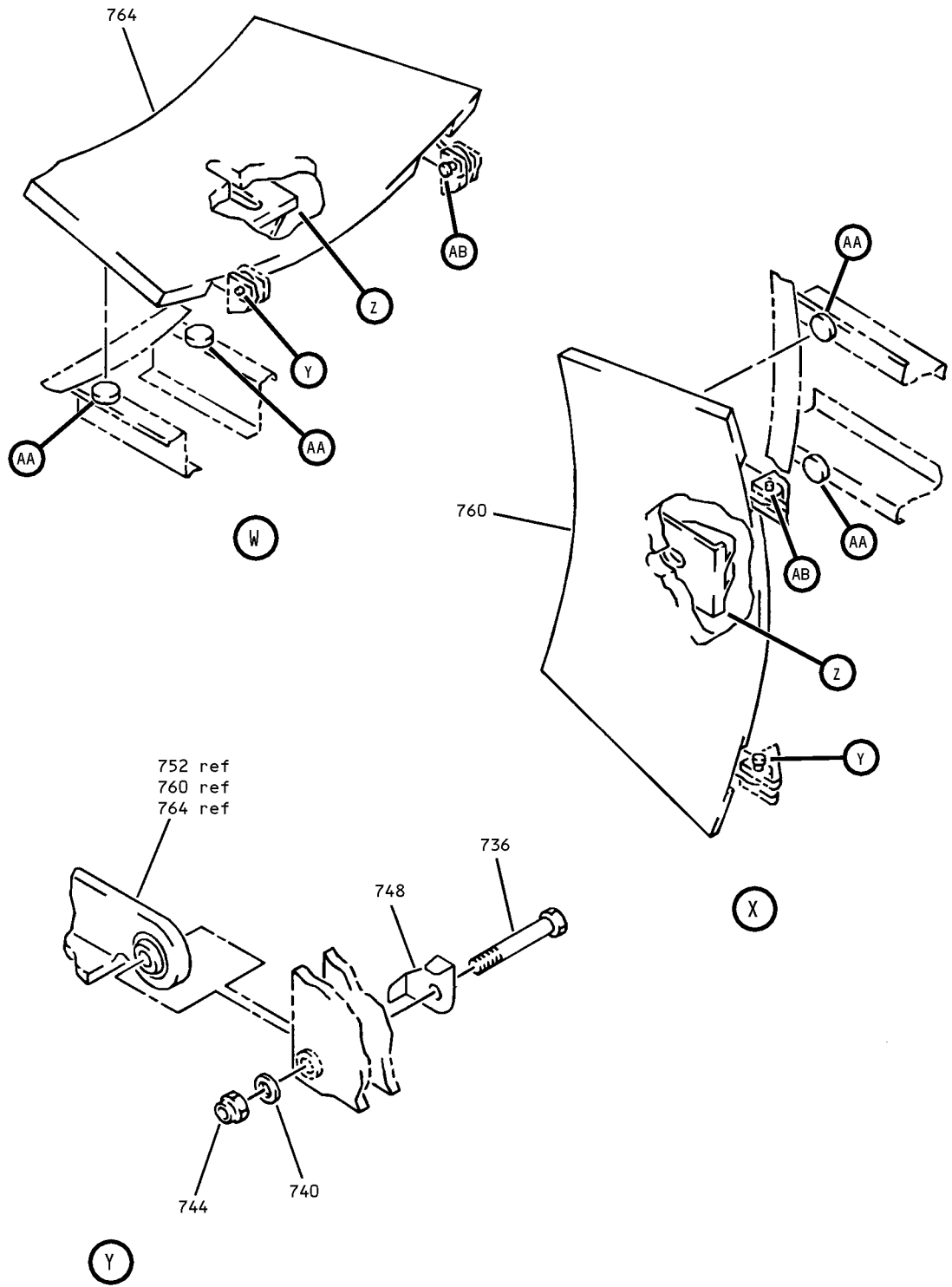
ILLUSTRATED PARTS LIST
01.1 Page 10920
Jul 01/05



Thrust Reverser Sleeve Assembly
 Figure 7 (Sheet 9)

78-31-45

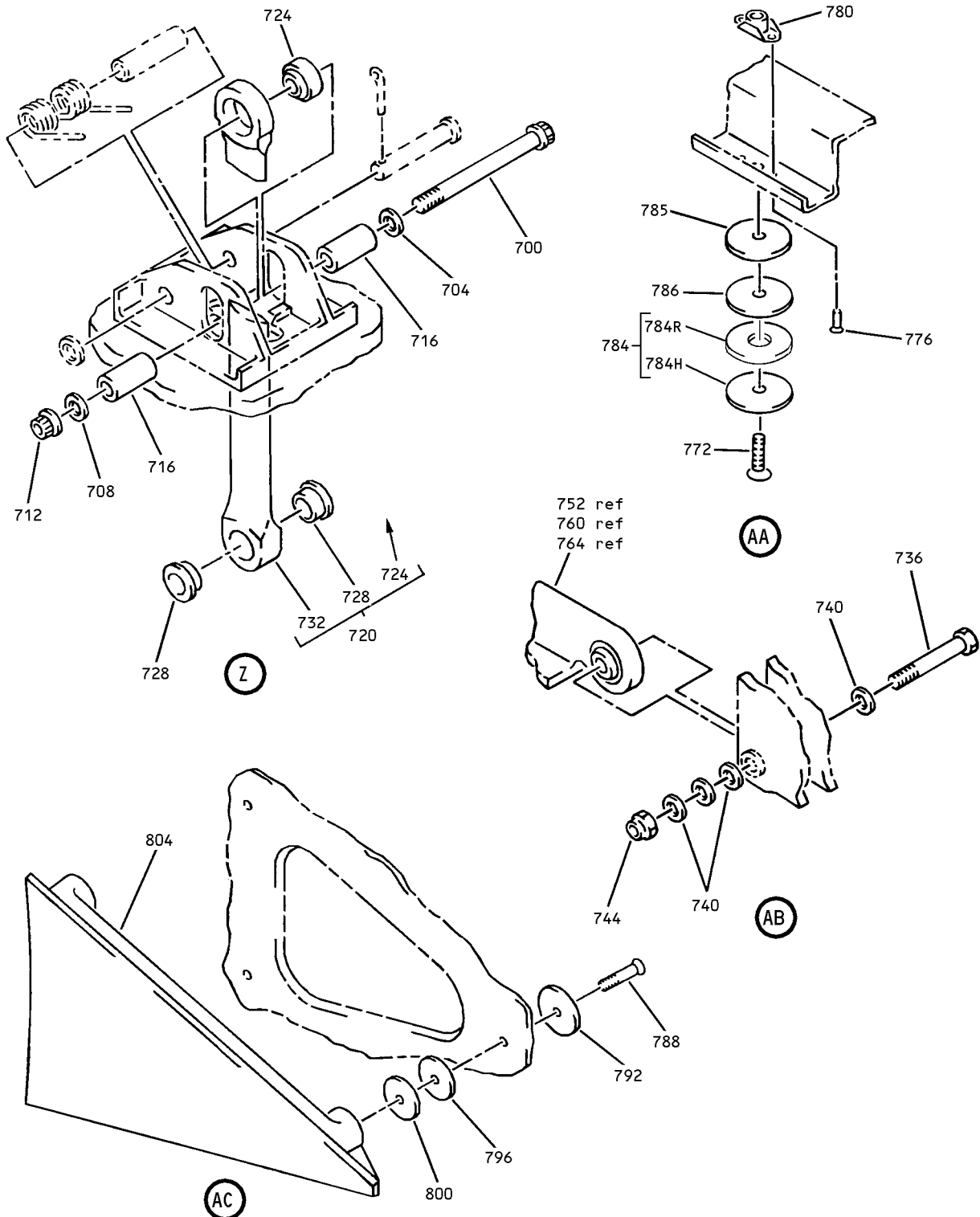
ILLUSTRATED PARTS LIST
 01.1 Page 1092P
 Jul 01/05



Thrust Reverser Sleeve Assembly
Figure 7 (Sheet 10)

78-31-45

ILLUSTRATED PARTS LIST
01.1 Page 1092Q
Jul 01/05



Thrust Reverser Sleeve Assembly
 Figure 7 (Sheet 11)

78-31-45

ILLUSTRATED PARTS LIST
 01.1 Page 1092R
 Jul 01/05



BOEING
COMPONENT
MAINTENANCE MANUAL

FIG. & ITEM	PART NO.	AIRLINE PART NUMBER	NOMENCLATURE 1234567	EFF CODE	QTY PER ASSY
07-					
-1A	315T4500-13		SLEEVE ASSY-THRUST REVERSER	G	RF
-1B	315T4500-15		SLEEVE ASSY-THRUST REVERSER	H	RF
-1C	315T4500-17		SLEEVE ASSY-THRUST REVERSER	J	RF
-1D	315T4500-21		SLEEVE ASSY-THRUST REVERSER	N	RF
-1E	315T4500-23		SLEEVE ASSY-THRUST REVERSER	P	RF
-1F	315T4500-25		SLEEVE ASSY-THRUST REVERSER	Q	RF
-1G	315T4500-27		SLEEVE ASSY-THRUST REVERSER	R	RF
-1H	315T4500-29		SLEEVE ASSY-THRUST REVERSER	S	RF
-1J	315T4500-31		SLEEVE ASSY-THRUST REVERSER	T	RF
-1K	315T4500-33		SLEEVE ASSY-THRUST REVERSER	AA	RF
-1L	315T4500-35		SLEEVE ASSY-THRUST REVERSER	AB	RF
-1M	315T4500-37		SLEEVE ASSY-THRUST REVERSER	AC	RF
-1N	315T4500-39		SLEEVE ASSY-THRUST REVERSER	AD	RF
-1P	315T4500-41		SLEEVE ASSY-THRUST REVERSER	AE	RF
-1Q	315T4500-43		SLEEVE ASSY-THRUST REVERSER	AF	RF
-1R	315T4500-45		SLEEVE ASSY-THRUST REVERSER	AS	RF
-1S	315T4500-47		SLEEVE ASSY-THRUST REVERSER	AT	RF
-1T	315T4500-49		SLEEVE ASSY-THRUST REVERSER	AU	RF
-1U	315T4500-51		SLEEVE ASSY-THRUST REVERSER	AV	RF
-1V	315T4500-53		SLEEVE ASSY-THRUST REVERSER	AW	RF
-1W	315T4500-55		SLEEVE ASSY-THRUST REVERSER	AX	RF
-1X	MODREF120309		SLEEVE ASSY- (315T4500-45REVA)	BL	RF
-1Y	MODREF172208		SLEEVE ASSY- (315T4500-45REVB)	BM	RF
-1Z	MODREF193622		SLEEVE ASSY- (315T4500-45REVC)	BN	RF
-2	MODREF120311		SLEEVE ASSY- (315T4500-47REVA)	BP	RF
-2A	MODREF172210		SLEEVE ASSY- (315T4500-47REVB)	BQ	RF
-2B	MODREF193624		SLEEVE ASSY- (315T4500-47REVC)	BR	RF
-2C	MODREF120313		SLEEVE ASSY- (315T4500-49REVA)	BS	RF
-2D	MODREF172212		SLEEVE ASSY- (315T4500-49REVB)	BT	RF
-2E	MODREF193626		SLEEVE ASSY- (315T4500-49REVC)	BU	RF
-2F	MODREF120315		SLEEVE ASSY- (315T4500-51REVA)	BV	RF
-2G	MODREF172214		SLEEVE ASSY- (315T4500-51REVB)	BW	RF
-2H	MODREF193628		SLEEVE ASSY- (315T4500-51REVC)	BX	RF

78-31-45

ILLUSTRATED PARTS LIST
01.1 Page 1092S
Jul 01/05

FIG. & ITEM	PART NO.	AIRLINE PART NUMBER	NOMENCLATURE 1234567	EFF CODE	QTY PER ASSY
07- -2J	MODREF61395		SLEEVE ASSY- (315T4500-53REVA)	BY	RF
-2K	MODREF101852		SLEEVE ASSY- (315T4500-53REVB)	BZ	RF
-2L	MODREF135571		SLEEVE ASSY- (315T4500-53REVC)	CA	RF
-2M	MODREF172313		SLEEVE ASSY- (315T4500-53REVD)	CB	RF
-2N	MODREF193574		SLEEVE ASSY- (315T4500-53REVE)	CC	RF
-2P	MODREF61397		SLEEVE ASSY- (315T4500-55REVA)	CD	RF
-2Q	MODREF101850		SLEEVE ASSY- (315T4500-55REVB)	CE	RF
-2R	MODREF135573		SLEEVE ASSY- (315T4500-55REVC)	CF	RF
-2S	MODREF172315		SLEEVE ASSY- (315T4500-55REVD)	CG	RF
-2T	MODREF193576		SLEEVE ASSY- (315T4500-55REVE)	CH	RF
-2U	MODREF209087		SLEEVE ASSY- (315T4500-45REVD)	DG	RF
-2V	MODREF209089		SLEEVE ASSY- (315T4500-47REVD)	DH	RF
-2W	MODREF209091		SLEEVE ASSY- (315T4500-49REVD)	DJ	RF
-2X	MODREF209093		SLEEVE ASSY- (315T4500-51REVD)	DK	RF
-2Y	MODREF209133		SLEEVE ASSY- (315T4500-53REVF)	DL	RF
-2Z	MODREF209135		SLEEVE ASSY- (315T4500-55REVF)	DM	RF

78-31-45

 ILLUSTRATED PARTS LIST
 01.1 Page 1092T
 Jul 01/05

 **BOEING**
COMPONENT
MAINTENANCE MANUAL

FIG. & ITEM	PART NO.	AIRLINE PART NUMBER	NOMENCLATURE 1234567	EFF CODE	QTY PER ASSY
07-					
-4	315T4500-14		SLEEVE ASSY-THRUST REVERSER	K	RF
-4A	315T4500-16		SLEEVE ASSY-THRUST REVERSER	L	RF
-4B	315T4500-18		SLEEVE ASSY-THRUST REVERSER	M	RF
-4C	315T4500-22		SLEEVE ASSY-THRUST REVERSER	U	RF
-4D	315T4500-24		SLEEVE ASSY-THRUST REVERSER	V	RF
-4E	315T4500-26		SLEEVE ASSY-THRUST REVERSER	W	RF
-4F	315T4500-28		SLEEVE ASSY-THRUST REVERSER	X	RF
-4G	315T4500-30		SLEEVE ASSY-THRUST REVERSER	Y	RF
-4H	315T4500-32		SLEEVE ASSY-THRUST REVERSER	Z	RF
-4J	315T4500-34		SLEEVE ASSY-THRUST REVERSER	AG	RF
-4K	315T4500-36		SLEEVE ASSY-THRUST REVERSER	AH	RF
-4L	315T4500-38		SLEEVE ASSY-THRUST REVERSER	AJ	RF
-4M	315T4500-40		SLEEVE ASSY-THRUST REVERSER	AK	RF
-4N	315T4500-42		SLEEVE ASSY-THRUST REVERSER	AL	RF
-4P	315T4500-44		SLEEVE ASSY-THRUST REVERSER	AM	RF
-4Q	315T4500-46		SLEEVE ASSY-THRUST REVERSER	AY	RF
-4R	315T4500-48		SLEEVE ASSY-THRUST REVERSER	AZ	RF
-4S	315T4500-50		SLEEVE ASSY-THRUST REVERSER	BA	RF
-4T	315T4500-52		SLEEVE ASSY-THRUST REVERSER	BB	RF
-4U	315T4500-54		SLEEVE ASSY-THRUST REVERSER	BC	RF
-4V	315T4500-56		SLEEVE ASSY-THRUST REVERSER	BD	RF
-4W	MODREF120310		SLEEVE ASSY- (315T4500-46REVA)	CJ	RF
-4X	MODREF172209		SLEEVE ASSY- (315T4500-46REVB)	CK	RF
-4Y	MODREF193623		SLEEVE ASSY- (315T4500-46REVC)	CL	RF
-4Z	MODREF120312		SLEEVE ASSY- (315T4500-48REVA)	CM	RF

78-31-45

ILLUSTRATED PARTS LIST
01.1 Page 1092U
Jul 01/05

FIG. & ITEM	PART NO.	AIRLINE PART NUMBER	NOMENCLATURE 1234567	EFF CODE	QTY PER ASSY
07-5	MODREF172211		SLEEVE ASSY- (315T4500-48REVB)	CN	RF
-5A	MODREF193625		SLEEVE ASSY- (315T4500-48REVC)	CP	RF
-5B	MODREF120314		SLEEVE ASSY- (315T4500-50REVA)	CQ	RF
-5C	MODREF172213		SLEEVE ASSY- (315T4500-50REVB)	CR	RF
-5D	MODREF193627		SLEEVE ASSY- (315T4500-50REVC)	CS	RF
-5E	MODREF120316		SLEEVE ASSY- (315T4500-52REVA)	CT	RF
-5F	MODREF172215		SLEEVE ASSY- (315T4500-52REVB)	CU	RF
-5G	MODREF193629		SLEEVE ASSY- (315T4500-52REVC)	CV	RF
-5H	MODREF61396		SLEEVE ASSY- (315T4500-54REVA)	CW	RF
-5J	MODREF101851		SLEEVE ASSY- (315T4500-54REVB)	CX	RF
-5K	MODREF135572		SLEEVE ASSY- (315T4500-54REVC)	CY	RF
-5L	MODREF172314		SLEEVE ASSY- (315T4500-54REVD)	CZ	RF
-5M	MODREF193575		SLEEVE ASSY- (315T4500-54REVE)	DA	RF
-5N	MODREF61398		SLEEVE ASSY- (315T4500-56REVA)	DB	RF
-5P	MODREF101849		SLEEVE ASSY- (315T4500-56REVB)	DC	RF
-5Q	MODREF135574		SLEEVE ASSY- (315T4500-56REVC)	DD	RF
-5R	MODREF172316		SLEEVE ASSY- (315T4500-56REVD)	DE	RF

78-31-45

 ILLUSTRATED PARTS LIST
 01.1 Page 1092V
 Jul 01/05

 **BOEING**
COMPONENT
MAINTENANCE MANUAL

FIG. & ITEM	PART NO.	AIRLINE PART NUMBER	NOMENCLATURE 1234567	EFF CODE	QTY PER ASSY
07- -5S	MODREF193577		SLEEVE ASSY- (315T4500-56REVE)	DF	RF
-5T	MODREF209088		SLEEVE ASSY- (315T4500-46REVD)	DN	RF
-5U	MODREF209090		SLEEVE ASSY- (315T4500-48REVD)	DP	RF
-5V	MODREF209092		SLEEVE ASSY- (315T4500-50REVD)	DQ	RF
-5W	MODREF209094		SLEEVE ASSY- (315T4500-52REVD)	DR	RF
-5X	MODREF209134		SLEEVE ASSY- (315T4500-54REVF)	DS	RF
-5Y	MODREF209136		SLEEVE ASSY- (315T4500-56REVF)	DT	RF
8	BACR15BA3AD		.RIVET- (SIZE DETERMINE ON INST)	G-AM, AS-BD ,BL-D T	4
12	F51636-3		.NUTPLATE- (V15653) (SPEC BACN10JA3CD) (OPT 102F177-3 (V72962)) (OPT BRF110C3D (V52828)) (OPT BRF170C3D (V52828)) (OPT NS202484-02 (V80539))	G-AM, AS-BD ,BL-D T	2

78-31-45

ILLUSTRATED PARTS LIST
01.1 Page 1092W
Jul 01/05

FIG. & ITEM	PART NO.	AIRLINE PART NUMBER	NOMENCLATURE 1234567	EFF CODE	QTY PER ASSY
07-16	315T3504-7		.SEAL INSTL-DIAPH	G-J, N-T,A A-AF, AS-AX ,BL-C H DG-DM	1
-20	315T3504-8		.SEAL INSTL-DIAPH	K-M, U-Z,A G-AM, AY-BD ,CJ-D F DN-DT	1
24	315T3504-9		..SEAL- (MFD FROM RUBBER SECTION BAC1530-206 X 129.0 IN)	G-AM, AS-BD ,BL-D T	1
28 28A	BACB30NE3-7 NAS6603-6		DELETED ..BOLT	G-AM, AS-BD ,BL-D T	38
32	AN960KD10L		..WASHER	G-AM, AS-BD ,BL-D T	37
36	315T3589-11		..RETAINER	G-J, N-T,A A-AF, AS-AX ,BL-C H DG-DM	1

78-31-45

 ILLUSTRATED PARTS LIST
 01.1 Page 1092X
 Jul 01/05

 **BOEING**
COMPONENT
MAINTENANCE MANUAL

FIG. & ITEM	PART NO.	AIRLINE PART NUMBER	NOMENCLATURE 1234567	EFF CODE	QTY PER ASSY
07- -40	315T3589-12		..RETAINER	K-M, U-Z,A G-AM, AY-BD ,CJ-D F DN-DT	1
44	315T3589-13		..RETAINER	G-J, N-T,A A-AF, AS-AX ,BL-C H DG-DM	1
-48	315T3589-14		..RETAINER	K-M, U-Z,A G-AM, AY-BD ,CJ-D F DN-DT	1
52	BACB30NM3K4		.BOLT	G-AM, AS-BD ,BL-D T	6
56	NAS1149F0332P		.WASHER	G-AM, AS-BD ,BL-D T	6
60	BRH10C3M		.NUT- (V52828) (SPEC BACN10JC3CM) (OPT T6C1032JM (V11815)) (OPT 97E02 (V80539)) (OPT 109LH9075-3W (V72962)) (OPT VN303D02 (V92215)) (OPT NS202101SE02 (V80539)) (OPT H01-3BAC (V15653))	G-AM, AS-BD ,BL-D T	6

78-31-45

ILLUSTRATED PARTS LIST
01.1 Page 1092Y
Jul 01/05

FIG. & ITEM	PART NO.	AIRLINE PART NUMBER	NOMENCLATURE 1234567	EFF CODE	QTY PER ASSY
07-64	BACS40R10D40F		.SHIM	G-AM, AS-BD ,BL-D T	6
68	315T3563-4		.PANEL ASSY-FWD OUTER COWL BUMPER	G-AM, AS-BD ,BL-D T	3
72	2ASPPDPT06-13		..PIN- (V17446)	G-AM, AS-BD ,BL-D T	2
76	2ASPPSDT06		..SLEEVE- (V17446)	G-AM, AS-BD ,BL-D T	2
80	ASPLC2AC06		..COLLAR- (V17446)	G-AM, AS-BD ,BL-D T	2
84	315T3563-5		..CHANNEL	G-AM, AS-BD ,BL-D T	1
88	315T3563-6		..BUMPER	G-AM, AS-BD ,BL-D T	1
92	BACB30NM3K6		.BOLT	G-AM, AS-BD ,BL-D T	2
96	BACB30NN3K8		.BOLT	G-AM, AS-BD ,BL-D T	2
100	NAS1149F0332P		.WASHER	G-AM, AS-BD ,BL-D T	4
104	NAS1805-3L		.NUT	G-AM, AS-BD ,BL-D T	4

78-31-45

 ILLUSTRATED PARTS LIST
 01.1 Page 1092Z
 Jul 01/05



BOEING
COMPONENT
MAINTENANCE MANUAL

FIG. & ITEM	PART NO.	AIRLINE PART NUMBER	NOMENCLATURE 1234567	EFF CODE	QTY PER ASSY
07-108	BACS40R20C30F		.SHIM	G-AM, AS-BD ,BL-D T	AR
112	315T3506-48		.SLIDER ASSY-AUX (PRE SB 747-78A2164) (PRE SB 767-78A0079)	G-J, N-T	1
-112A	315T4402-25		.SLIDER-REWORKED (POST SB 747-78A2164) (POST SB 767-78A0079)	G-J, N-T	1
-112B	315T3506-48		.SLIDER ASSY-AUX	AA-AF ,AS-A X,B L-CH, DG-DM	1
-116	315T3506-47		.SLIDER ASSY-AUX (PRE SB 747-78A2164) (PRE SB 767-78A0079)	K-M, U-Z	1
-116A	315T4402-26		.SLIDER-AUX (POST SB 747-78A2164) (POST SB 767-78A0079)	K-M, U-Z	1
-116B	315T3506-47		.SLIDER ASSY-AUX	AG-AM ,AY-B D,C J-DF, DN-DT	1
120	315T3506-54		..SLIDER	G-J, N-T,A A-AF, AS-AX ,BL-C H DG-DM	1

78-31-45

ILLUSTRATED PARTS LIST
01.1 Page 1093
Jul 01/05

FIG. & ITEM	PART NO.	AIRLINE PART NUMBER	NOMENCLATURE 1234567	EFF CODE	QTY PER ASSY
07- -124	315T3506-53		..SLIDER	K-M, U-Z,A G-AM, AY-BD ,CJ-D F DN-DT	1
128	315T3506-49		..TAPE-RULON J	G-AM, AS-BD ,BL-D T	1
132	BACB30NM3K6		.BOLT	G-AM, AS-BD ,BL-D T	2
136	BACB30NN3K8		.BOLT	G-AM, AS-BD ,BL-D T	4
140	NAS1149F0332P		.WASHER	G-AM, AS-BD ,BL-D T	6
144	NAS1805-3L		.NUT	G-AM, AS-BD ,BL-D T	4
148	BACS40R29C30F		.SHIM	G-AM, AS-BD ,BL-D T	AR

78-31-45

 ILLUSTRATED PARTS LIST
 01.1 Page 1094
 Jul 01/05



BOEING
COMPONENT
MAINTENANCE MANUAL

FIG. & ITEM	PART NO.	AIRLINE PART NUMBER	NOMENCLATURE 1234567	EFF CODE	QTY PER ASSY
07-152	315T3506-51		.SLIDER ASSY-AUX (PRE SB 747-78A2164) (PRE SB 767-78A0079)	G-J, N-T	1
-152A	315T4402-27		.SLIDER-REWORKED (POST SB 747-78A2164) (POST SB 767-78A0079)	G-J, N-T	1
-152B	315T3506-51		.SLIDER ASSY-AUX	AA-AF ,AS-A X,B L-CH, DG-DM	1
-156	315T3506-52		.SLIDER ASSY-AUX (PRE SB 747-78A2164) (PRE SB 767-78A0079)	K-M, U-Z	1
-156A	315T4402-28		.SLIDER-REWORKED (POST SB 747-78A2164) (POST SB 767-78A0079)	K-M, U-Z	1
-156B	315T3506-52		.SLIDER ASSY-AUX	AG-AM ,AY-B D,C J-DF, DN-DT	1
160	315T3506-55		..SLIDER	G-J, N-T,A A-AF, AS-AX ,BL-C H DG-DM	1
-164	315T3506-56		..SLIDER	K-M, U-Z,A G-AM, AY-BD ,CJ-D F DN-DT	1

78-31-45

ILLUSTRATED PARTS LIST
01.1 Page 1094A
Jul 01/05

FIG. & ITEM	PART NO.	AIRLINE PART NUMBER	NOMENCLATURE 1234567	EFF CODE	QTY PER ASSY
07-168	315T3506-50		..TAPE-RULON J	G-AM, AS-BD ,BL-D T	1
172	BACB30VF7K2		.BOLT	G-AM, AS-BD ,BL-D T	3
176	BACB30VF8K2		.BOLT	G-AM, AS-BD ,BL-D T	1
180	ASPF FEU08-20AC		.PIN- (V17446)	G-AM, AS-BD ,BL-D T	79
184	ASPFSDT8		.SLEEVE- (V17446)	G-AM, AS-BD ,BL-D T	79
188	ASPLC2AC8		.COLLAR- (V17446)	G-AM, AS-BD ,BL-D T	79
192	BACS40R12B480F		.SHIM	G-AM, AS-BD ,BL-D T	3
196	315T3562-19		.PANEL ASSY-OUTER COWL	G	1
-196A	315T3562-23		.PANEL ASSY-OUTER COWL	H,J, N-T	1
-196B	315T3562-27		.PANEL ASSY-OUTER COWL	AA-AF ,AS-A X,B L-CH, DG-DM	1
-200	315T3562-20		.PANEL ASSY-OUTER COWL	K	1
-200A	315T3562-24		.PANEL ASSY-OUTER COWL	L,M, U-Z	1
-200B	315T3562-28		.PANEL ASSY-OUTER COWL	AG-AM ,AY-B D,C J-DF, DN-DT	1

78-31-45

 ILLUSTRATED PARTS LIST
 01.1 Page 1094B
 Jul 01/05

 **BOEING**
COMPONENT
MAINTENANCE MANUAL

FIG. & ITEM	PART NO.	AIRLINE PART NUMBER	NOMENCLATURE 1234567	EFF CODE	QTY PER ASSY
07-204	HL523AZ8-18		..BOLT- (V56878) (SPEC BACB30NZ8K18) (OPT L804-8K18 (V06725)) (OPT HL523AZ8-18 (V97928)) (OPT HL523AZ8-18 (V92215)) (OPT HL523AZ8-18 (V73197)) (OPT HL523AZ8-18 (V0PTK6)) (OPT HL523AZ8-18 (V60516)) (OPT HL523AZ8-18 (V06725))	G-AM, AS-BD ,BL-D T	4
208	HL523AZ8-16		..BOLT- (V56878) (SPEC BACB30NZ8K16) (OPT L804-8K16 (V06725)) (OPT HL523AZ8-16 (V92215)) (OPT HL523AZ8-16 (V73197)) (OPT HL523AZ8-16 (V97928)) (OPT HL523AZ8-16 (V0PTK6)) (OPT HL523AZ8-16 (V60516)) (OPT HL523AZ8-16 (V06725))	G-AM, AS-BD ,BL-D T	6

78-31-45

ILLUSTRATED PARTS LIST
01.1 Page 1094C
Jul 01/05

FIG. & ITEM	PART NO.	AIRLINE PART NUMBER	NOMENCLATURE 1234567	EFF CODE	QTY PER ASSY
07-212	HL523AZ8-17		..BOLT- (V56878) (SPEC BACB30NZ8K17) (OPT L804-8K17 (V06725)) (OPT HL523-17 (V06725)) (OPT HL523AZ8-17 (V97928)) (OPT HL523AZ8-17 (V73197)) (OPT HL523AZ8-17 (V92215))	G-AM, AS-BD ,BL-D T	8
216	HL79-8		..COLLAR- (V5M902) (SPEC BACC30M8) (OPT HL79-8 (V73197)) (OPT HL79-8 (V92215)) (OPT 66014-8 (V56878)) (OPT HL79-8 (V56878))	G-AM, AS-BD ,BL-D T	18
220	BACS40R11A27F		..SHIM	G-AM, AS-BD ,BL-D T	4
224	BACS40R11B27F		..SHIM	G-AM, AS-BD ,BL-D T	4
228	BACS40R11A42F		..SHIM	G-AM, AS-BD ,BL-D T	4

78-31-45

 ILLUSTRATED PARTS LIST
 01.1 Page 1094D
 Jul 01/05

FIG. & ITEM	PART NO.	AIRLINE PART NUMBER	NOMENCLATURE 1234567	EFF CODE	QTY PER ASSY
07-232	BACS40R11B42F		..SHIM	G-AM, AS-BD ,BL-D T	4
236	315T3562-21		..FILLER- (OPT ITEM 236A)	G-AM, AS-BD ,BL-D T	AR
-236A	315T3562-15		..FILLER- (OPT ITEM 236)	G-AM, AS-BD ,BL-D T	AR
240	315T3519-6		..FITTING-AUX SLIDER UPR ATTACHMENT	G-J, N-T,A A-AF, AS-AX ,BL-C H DG-DM	1
-244	315T3519-5		..FITTING-AUX SLIDER UPR ATTACHMENT	K-M, U-Z,A G-AM, AY-BD ,CJ-D F DN-DT	1
248	315T3520-10		..FITTING-AUX SLIDER LWR ATTACHMENT	G-J, N-T,A A-AF, AS-AX ,BL-C H DG-DM	1

78-31-45

ILLUSTRATED PARTS LIST
01.1 Page 1094E
Jul 01/05

FIG. & ITEM	PART NO.	AIRLINE PART NUMBER	NOMENCLATURE 1234567	EFF CODE	QTY PER ASSY
07- -252	315T3520-9		..FITTING-AUX SLIDER UPR ATTACHMENT	K-M, U-Z,A G-AM, AY-BD ,CJ-D F DN-DT	1
256	HL523AZ5-14		..BOLT- (V56878) (SPEC BACB30NZ5K14) (OPT L804-5K14 (V06725)) (OPT HL523AZ5-14 (V73197)) (OPT HL523AZ5-14 (V92215)) (OPT HL523AZ5-14 (V97928)) (OPT HL523AZ5-14 (V0PTK6)) (OPT HL523AZ5-14 (V60516)) (OPT HL523AZ5-14 (V06725))	G-AM, AS-BD ,BL-D T	12
260	HL70-5		..COLLAR- (V5M902) (SPEC BACC30M5) (OPT HL70-5 (V73197)) (OPT HL70-5 (V92215)) (OPT 66014-5 (V56878)) (OPT HL70-5 (V56878))	G-AM, AS-BD ,BL-D T	12
264	315T3567-3		..FITTING-BUMPER SPRT	G-AM, AS-BD ,BL-D T	4
268	315T3574-3		..INSERT ASSY-DEACTIVATION	G,K	1

78-31-45

 ILLUSTRATED PARTS LIST
 01.1 Page 1094F
 Jul 01/05



BOEING
COMPONENT
MAINTENANCE MANUAL

FIG. & ITEM	PART NO.	AIRLINE PART NUMBER	NOMENCLATURE 1234567	EFF CODE	QTY PER ASSY
07- -268A	315T4574-1		..INSERT ASSY-DEACTIVATION (OPT ITEM 268B)	H,J, L-AM, AS-BD ,BL-D T	1
-268B	315T3574-5		..INSERT ASSY-DEACTIVATION (OPT ITEM 268A)	H,J, L-AM, AS-BD ,BL-D T	1
272	MS21209F8-10		...INSERT	G-AM, AS-BD ,BL-D T	1
276 -276A	315T3574-4 315T3574-6		...INSERT ...INSERT- (USED ON ITEM 268B)	G,K H,J, L-AM, AS-BD ,BL-D T	1 1
280	315T4574-2		...BARREL-OUTER (USED ON ITEM 268A)	H,J, L-AM, AS-BD ,BL-D T	1
284	315T4574-3		...BARREL-INNER (USED ON ITEM 268A)	H,J, L-AM, AS-BD ,BL-D T	1
286	315T3562-22		..SHIM	G-AM, AS-BD ,BL-D T	1
288	315T3565-1		..INSERT ASSY-DEACTIVATION	G-AM, AS-BD ,BL-D T	3

78-31-45

ILLUSTRATED PARTS LIST
01.1 Page 1094G
Jul 01/05

FIG. & ITEM	PART NO.	AIRLINE PART NUMBER	NOMENCLATURE 1234567	EFF CODE	QTY PER ASSY
07-292	MS21209F7-10P		...INSERT	G-AM, AS-BD ,BL-D T	1
296	315T3565-2		...INSERT	G-AM, AS-BD ,BL-D T	1
300 -300A 300B	ASPF8E8-16AC ASPF8DT8-16 ASPF8V8-16AC		DELETED DELETED ..PIN- (V17446)	G-AM, AS-BD ,BL-D T	15
304 304A	ASPF8DT8 ASPF8V8AC		DELETED ..SLEEVE- (V17446)	G-AM, AS-BD ,BL-D T	15
308 308A	ASPLC2AC8 ASPLCMV8		DELETED ..COLLAR- (V17446)	G-AM, AS-BD ,BL-D T	15
312	315T3562-4		..SHIM	G-AM, AS-BD ,BL-D T	3
316	HL523AZ8-7		..BOLT- (V56878) (SPEC BACB30NZ8K7) (OPT L804-8K7 (V06725)) (OPT HL523AZ8-7 (V92215)) (OPT HL523AZ8-7 (V73197)) (OPT HL523AZ8-7 (V97928)) (OPT HL523AZ8-7 (V0PTK6)) (OPT HL523AZ8-7 (V60516)) (OPT HL523AZ8-7 (V06725))	G-AM, AS-BD ,BL-D T	9

78-31-45

 ILLUSTRATED PARTS LIST
 01.1 Page 1094H
 Jul 01/05

 **BOEING**
COMPONENT
MAINTENANCE MANUAL

FIG. & ITEM	PART NO.	AIRLINE PART NUMBER	NOMENCLATURE 1234567	EFF CODE	QTY PER ASSY
07-320	HL79-8		..COLLAR- (V5M902) (SPEC BACC30M8) (OPT HL79-8 (V73197)) (OPT HL79-8 (V92215)) (OPT 66014-8 (V56878)) (OPT HL79-8 (V56878))	G-AM, AS-BD ,BL-D T	9
324	315T3562-3		..SHIM	G-AM, AS-BD ,BL-D T	3
328	BACR15BA3AD6		..RIVET	G-AM, AS-BD ,BL-D T	6
332	BACB30NN4K6		..BOLT	G-AM, AS-BD ,BL-D T	3
336	BRF100C4M		..NUTPLATE- (V52828) (SPEC BACN10KB4CFM) (OPT NS103185SE048 (V80539)) (OPT T8113C428C (V11815)) (OPT VN151D1-048 (V92215)) (OPT 109F9207-4 (V72962)) (OPT F2001-4 (V15653))	G-AM, AS-BD ,BL-D T	3

78-31-45

ILLUSTRATED PARTS LIST
01.1 Page 1094I
Jul 01/05

FIG. & ITEM	PART NO.	AIRLINE PART NUMBER	NOMENCLATURE 1234567	EFF CODE	QTY PER ASSY
07-340	315T3561-6		..FITTING ASSY-SLEEVE ACTR ROD ATTACHMENT (OPT ITEM 340A)	G-AM, AS-BD ,BL-D T	3
-340A	315T3561-8		..FITTING ASSY-SLEEVE ACTR ROD ATTACHMENT (OPT ITEM 340)	G-AM, AS-BD ,BL-D T	3
344	BACB28AP05P022		...BUSHING	G-AM, AS-BD ,BL-D T	1
348	BACB28AM07B022A		...BUSHING	G-AM, AS-BD ,BL-D T	1
352	315T3561-7		...FITTING- (USED ON ITEM 340)	G-AM, AS-BD ,BL-D T	1
-352A	315T3561-9		...FITTING- (USED ON ITEM 340A)	G-AM, AS-BD ,BL-D T	1
356	HL523AZ6-4		..BOLT- (V56878) (SPEC BACB30NZ6K4) (OPT L804-6K4 (V06725)) (OPT HL523AZ6-4 (V06725)) (OPT HL523AZ6-4 (V92215)) (OPT HL523AZ6-4 (V0PTK6)) (OPT HL523AZ6-4 (V60516)) (OPT HL523AZ6-4 (V73197)) (OPT HL523AZ6-4 (V97928))	G-AM, AS-BD ,BL-D T	27

78-31-45

 ILLUSTRATED PARTS LIST
 01.1 Page 1094J
 Jul 01/05

 **BOEING**
COMPONENT
MAINTENANCE MANUAL

FIG. & ITEM	PART NO.	AIRLINE PART NUMBER	NOMENCLATURE 1234567	EFF CODE	QTY PER ASSY
07-360	HL79-6		..COLLAR- (V5M902) (SPEC BACC30M6) (OPT HL79-6 (V73197)) (OPT HL79-6 (V92215)) (OPT 66014-6 (V56878)) (OPT HL79-6 (V56878))	G-AM, AS-BD ,BL-D T	27
364 364A	BACB30NN4K4 BACB30NN4K6		DELETED ..BOLT	G-AM, AS-BD ,BL-D T	12
368	315T3562-5		..SHIM	G-AM, AS-BD ,BL-D T	3
372	315T3566-1		..DOUBLER ASSY-ACTR ACCESS	G-AM, AS-BD ,BL-D T	3
376	BACR15BA3AD4		...RIVET	G-AM, AS-BD ,BL-D T	8
380	BRF200C4M		...NUTPLATE- (V52828) (SPEC BACN10JR4CFM) (OPT F5001-4BAC (V15653)) (OPT NS103203SE048 (V80539)) (OPT VN152D1-048 (V92215)) (OPT 109F9201-4 (V72962)) (OPT T8092C428 (V11815))	G-AM, AS-BD ,BL-D T	4

78-31-45

ILLUSTRATED PARTS LIST
01.1 Page 1094K
Jul 01/05

FIG. & ITEM	PART NO.	AIRLINE PART NUMBER	NOMENCLATURE 1234567	EFF CODE	QTY PER ASSY
07-384	315T3566-2		...DOUBLER	G-AM, AS-BD ,BL-D T	1
388	315T3575-6		..PANEL ASSY-DOOR, ACCESS	G-AM, AS-BD ,BL-D T	3
392	AF5141-3-5		..RIVET- (V53551) (SPEC BACR15DR3A5) (OPT RV541A3-5 (V98996)) (OPT CCR264CS3-5TT (V11815))	G-AM, AS-BD ,BL-D T	24
396	BRF200C4M		..NUTPLATE- (V52828) (SPEC BACN10JR4CFM) (OPT F5001-4BAC (V15653)) (OPT NS103203SE048 (V80539)) (OPT VN152D1-048 (V92215)) (OPT 109F9201-4 (V72962)) (OPT T8092C428 (V11815))	G-AM, AS-BD ,BL-D T	11
400	BRF100C4M		..NUTPLATE- (V52828) (SPEC BACN10KB4CFM) (OPT NS103185SE048 (V80539)) (OPT T8113C428C (V11815)) (OPT VN151D1-048 (V92215)) (OPT 109F9207-4 (V72962)) (OPT F2001-4 (V15653)) (OPT ITEM 400A)	G-AM, AS-BD ,BL-D T	1

78-31-45

 ILLUSTRATED PARTS LIST
 01.1 Page 1094L
 Jul 01/05

 **BOEING**
COMPONENT
MAINTENANCE MANUAL

FIG. & ITEM	PART NO.	AIRLINE PART NUMBER	NOMENCLATURE 1234567	EFF CODE	QTY PER ASSY
07- -400A	BRF200C4M		..NUTPLATE- (V52828) (SPEC BACN10JR4CFM) (OPT F5001-4BAC (V15653)) (OPT NS103203SE048 (V80539)) (OPT VN152D1-048 (V92215)) (OPT 109F9201-4 (V72962)) (OPT T8092C428 (V11815)) (OPT ITEM 400)	G-AM, AS-BD ,BL-D T	1
404	315T3564-41		..BOND ASSY-PNL	G-J, N-T	1
-404A	315T3564-43		..BOND ASSY-PNL	AA-AF ,AS-A X,B L-CH, DG-DM	1
-408	315T3564-42		..BOND ASSY-PNL	K-M, U-Z	1
-408A	315T3564-44		..BOND ASSY-PNL	AG-AM ,AY-B D,C J-DF, DN-DT	1
412	ASPFDDT08-08		.PIN- (V17446)	G-AM, AS-BD ,BL-D T	4

78-31-45

ILLUSTRATED PARTS LIST
01.1 Page 1094M
Jul 01/05

FIG. & ITEM	PART NO.	AIRLINE PART NUMBER	NOMENCLATURE 1234567	EFF CODE	QTY PER ASSY
07-416	ASPFFDT08-10		.PIN- (V17446)	G-AM, AS-BD ,BL-D T	2
420	ASPFFDT08-13		.PIN- (V17446)	G-AM, AS-BD ,BL-D T	8
424	ASPFFDT08-25		.PIN- (V17446)	G-AM, AS-BD ,BL-D T	4
428	ASPFFDT08-23		.PIN- (V17446)	G-AM, AS-BD ,BL-D T	2
432	ASPFFDT08-20		.PIN- (V17446)	G-AM, AS-BD ,BL-D T	2
436	ASPFFDT08-17		.PIN- (V17446)	G-AM, AS-BD ,BL-D T	4
440	ASPFFDT08-14		.PIN- (V17446)	G-AM, AS-BD ,BL-D T	4
444	ASPFFDT08-16		.PIN- (V17446)	G-AM, AS-BD ,BL-D T	2

78-31-45

 ILLUSTRATED PARTS LIST
 01.1 Page 1094N
 Jul 01/05

 **BOEING**
COMPONENT
MAINTENANCE MANUAL

FIG. & ITEM	PART NO.	AIRLINE PART NUMBER	NOMENCLATURE 1234567	EFF CODE	QTY PER ASSY
07-448	ASPF FDT08-19		.PIN- (V17446)	G-AM, AS-BD ,BL-D T	2
452	ASP100FDT08-17		.PIN- (V17446)	G-AM, AS-BD ,BL-D T	18
456	ASPFSDT08		.SLEEVE- (V17446)	G-AM, AS-BD ,BL-D T	52
460	ASPLC2AC8		.COLLAR-LOCKING (V17446)	G-AM, AS-BD ,BL-D T	52
464	HL11VAZ8-7		.BOLT- (V56878) (SPEC BACB30NW8K7) (OPT B30NW8K7 (V97928)) (OPT HL11VAZ8-7 (V73197)) (OPT HL11VAZ8-7 (V92215)) (OPT HL11VAZ8-7 (V97928)) (OPT L803-8K7 (V06725)) (OPT HL11VAZ8-7 (V0PTK6)) (OPT HL11VAZ8-7 (V60516))	G-AM, AS-BD ,BL-D T	6

78-31-45

ILLUSTRATED PARTS LIST
01.1 Page 10940
Jul 01/05

FIG. & ITEM	PART NO.	AIRLINE PART NUMBER	NOMENCLATURE 1234567	EFF CODE	QTY PER ASSY
07-468	HL11VAZ8-8		.BOLT- (V56878) (SPEC BACB30NW8K8) (OPT B30NW8K8 (V97928)) (OPT HL11VAZ8-8 (V73197)) (OPT HL11VAZ8-8 (V92215)) (OPT HL11VAZ8-8 (V97928)) (OPT L803-8K8 (V06725)) (OPT HL11VAZ8-8 (V0PTK6)) (OPT HL11VAZ8-8 (V60516))	G-AM, AS-BD ,BL-D T	8
472	HL79-8		.COLLAR- (V5M902) (SPEC BACC30M8) (OPT HL79-8 (V73197)) (OPT HL79-8 (V92215)) (OPT 66014-8 (V56878)) (OPT HL79-8 (V56878))	G-AM, AS-BD ,BL-D T	14
476	BACB30VF4K5		.BOLT	G-AM, AS-BD ,BL-D T	14
480	NAS1149E0463P		.WASHER	G-AM, AS-BD ,BL-D T	14

78-31-45

 ILLUSTRATED PARTS LIST
 01.1 Page 1094P
 Jul 01/05

 **BOEING**
COMPONENT
MAINTENANCE MANUAL

FIG. & ITEM	PART NO.	AIRLINE PART NUMBER	NOMENCLATURE 1234567	EFF CODE	QTY PER ASSY
07-484	H52732-4CM		.NUT- (V15653) (SPEC BACN10YR4CM) (OPT PLH54CM (V62554))	G-AM, AS-BD ,BL-D T	14
488	HL523AZ8-17		.BOLT- (V56878) (SPEC BACB30NZ8K17) (OPT L804-8K17 (V06725)) (OPT HL523-17 (V06725)) (OPT HL523AZ8-17 (V97928)) (OPT HL523AZ8-17 (V73197)) (OPT HL523AZ8-17 (V92215))	G-AM, AS-BD ,BL-D T	12
492	HL523AZ8-22		.BOLT- (V06725) (SPEC BACB30NZ8K22) (OPT HL523AZ8-22 (V60516)) (OPT HL523AZ8-22 (V0PTK6)) (OPT HL523AZ8-22 (V97928)) (OPT HL523AZ8-22 (V92215)) (OPT HL523AZ8-22 (V73197)) (OPT HL523AZ8-22 (V56878)) (OPT L804-8K22 (V06725))	G-AM, AS-BD ,BL-D T	2

78-31-45

ILLUSTRATED PARTS LIST
01.1 Page 1094Q
Jul 01/05

FIG. & ITEM	PART NO.	AIRLINE PART NUMBER	NOMENCLATURE 1234567	EFF CODE	QTY PER ASSY
07-496	HL523AZ8-18		.BOLT- (V56878) (SPEC BACB30NZ8K18) (OPT L804-8K18 (V06725)) (OPT HL523AZ8-18 (V97928)) (OPT HL523AZ8-18 (V92215)) (OPT HL523AZ8-18 (V73197)) (OPT HL523AZ8-18 (V0PTK6)) (OPT HL523AZ8-18 (V60516)) (OPT HL523AZ8-18 (V06725))	G-AM, AS-BD ,BL-D T	2
500	HL523AZ8-22		.BOLT- (V06725) (SPEC BACB30NZ8K22) (OPT HL523AZ8-22 (V60516)) (OPT HL523AZ8-22 (V0PTK6)) (OPT HL523AZ8-22 (V97928)) (OPT HL523AZ8-22 (V92215)) (OPT HL523AZ8-22 (V73197)) (OPT HL523AZ8-22 (V56878)) (OPT L804-8K22 (V06725))	G-AM, AS-BD ,BL-D T	2
504	HL79-8		.COLLAR- (V5M902) (SPEC BACC30M8) (OPT HL79-8 (V73197)) (OPT HL79-8 (V92215)) (OPT 66014-8 (V56878)) (OPT HL79-8 (V56878))	G-AM, AS-BD ,BL-D T	16

78-31-45

 ILLUSTRATED PARTS LIST
 01.1 Page 1094R
 Jul 01/05

FIG. & ITEM	PART NO.	AIRLINE PART NUMBER	NOMENCLATURE 1234567	EFF CODE	QTY PER ASSY
07-508	HL82-8APBW		.COLLAR- (V5M902) (SPEC BACC30AG8) (OPT HL82-8APBW (V92215)) (OPT HL82-8APBW (V56878)) (OPT HL82-8APBW (V73197))	G-AM, AS-BD ,BL-D T	2
512	315T4500-5		.FILLER-TAPERED	G-AM, AS-BD ,BL-D T	2
516	315T4502-55		.BOND ASSY-ACOUSTIC PNL	G-J, N-T,A A-AF, AS-AX ,BL-C H DG-DM	1
-520	315T4502-56		.BOND ASSY-ACOUSTIC PNL	K-M, U-Z,A G-AM, AY-BD ,CJ-D F DN-DT	1
524	NAS1835C4P		.INSERT	G-AM, AS-BD ,BL-D T	4
528	BACS40R14B195F		.SHIM	G-AM, AS-BD ,BL-D T	AR
532	BACS40R14C94F		.SHIM	G-AM, AS-BD ,BL-D T	AR
536	BACS40R13C55F		.SHIM	G-AM, AS-BD ,BL-D T	2

78-31-45

FIG. & ITEM	PART NO.	AIRLINE PART NUMBER	NOMENCLATURE 1234567	EFF CODE	QTY PER ASSY
07-540	315T4500-11		.PLUG- (OPT ITEM 540A)	G-AM, AS-BD ,BL-D T	2
-540A	315T3500-11		.PLUG- (OPT ITEM 540)	G-AM, AS-BD ,BL-D T	2
544	HL11VAZ8-13		.BOLT- (V60516) (SPEC BACB30NW8K13) (OPT B30NW8K13 (V97928)) (OPT HL11VAZ8-13 (V73197)) (OPT HL11VAZ8-13 (V92215)) (OPT HL11VAZ8-13 (V97928)) (OPT L803-8K13 (V06725)) (OPT HL11VAZ8-13 (V0PTK6)) (OPT HL11VAZ8-13 (V56878))	G-AM, AS-BD ,BL-D T	4
548	HL79-8		.COLLAR- (V5M902) (SPEC BACC30M8) (OPT HL79-8 (V73197)) (OPT HL79-8 (V92215)) (OPT 66014-8 (V56878)) (OPT HL79-8 (V56878))	G-AM, AS-BD ,BL-D T	4

78-31-45

 ILLUSTRATED PARTS LIST
 01.1 Page 1094T
 Jul 01/05

 **BOEING**
COMPONENT
MAINTENANCE MANUAL

FIG. & ITEM	PART NO.	AIRLINE PART NUMBER	NOMENCLATURE 1234567	EFF CODE	QTY PER ASSY
07-552	HL11VAZ6-11		.BOLT- (V60516) (SPEC BACB30NW6K11) (OPT B30NW6K11 (V97928)) (OPT HL11VAZ6-11 (V73197)) (OPT HL11VAZ6-11 (V92215)) (OPT HL11VAZ6-11 (V97928)) (OPT L803-6K11 (V06725)) (OPT HL11VAZ6-11 (V0PTK6)) (OPT HL11VAZ6-11 (V56878))	G-AM, AS-BD ,BL-D T	12
556	HL11VAZ6-13		.BOLT- (V60516) (SPEC BACB30NW6K13) (OPT B30NW6K13 (V97928)) (OPT HL11VAZ6-13 (V73197)) (OPT HL11VAZ6-13 (V92215)) (OPT HL11VAZ6-13 (V97928)) (OPT L803-6K13 (V06725)) (OPT HL11VAZ6-13 (V0PTK6)) (OPT HL11VAZ6-13 (V56878))	G-AM, AS-BD ,BL-D T	2

78-31-45

ILLUSTRATED PARTS LIST
01.1 Page 1094U
Jul 01/05

FIG. & ITEM	PART NO.	AIRLINE PART NUMBER	NOMENCLATURE 1234567	EFF CODE	QTY PER ASSY
07-560	HL79-6		.COLLAR- (V5M902) (SPEC BACC30M6) (OPT HL79-6 (V73197)) (OPT HL79-6 (V92215)) (OPT 66014-6 (V56878)) (OPT HL79-6 (V56878))	G-AM, AS-BD ,BL-D T	14
564	HL11VAZ10-14		.BOLT- (V60516) (SPEC BACB30NW10K14) (OPT B30NW10K14 (V97928)) (OPT HL11VAZ10-14 (V73197)) (OPT HL11VAZ10-14 (V92215)) (OPT HL11VAZ10-14 (V97928)) (OPT L803-10K14 (V06725)) (OPT HL11VAZ10-14 (V0PTK6)) (OPT HL11VAZ10-14 (V56878))	G-AM, AS-BD ,BL-D T	6
568	HL79-10		.COLLAR- (V5M902) (SPEC BACC30M10) (OPT HL79-10 (V73197)) (OPT HL79-10 (V92215)) (OPT 66014-10 (V56878)) (OPT HL79-10 (V56878))	G-AM, AS-BD ,BL-D T	6

78-31-45

 ILLUSTRATED PARTS LIST
 01.1 Page 1094V
 Jul 01/05

FIG. & ITEM	PART NO.	AIRLINE PART NUMBER	NOMENCLATURE 1234567	EFF CODE	QTY PER ASSY
07-572	BACS40R17C127F		.SHIM	G-AM, AS-BD ,BL-D T	AR
574	BACS40R008C014F		.SHIM	G-AM, AS-BD ,BL-D T	AR
576	BACS40R14C28F		.SHIM	G-AM, AS-BD ,BL-D T	AR
578	BACS40R008C027F		.SHIM	G-AM, AS-BD ,BL-D T	AR
580	BACS40R14C240F		.SHIM	G-AM, AS-BD ,BL-D T	2
584	BACS40R17C130F		.SHIM	G-AM, AS-BD ,BL-D T	AR
588	315T3505-37		.SLIDER ASSY	G-J, N-T,A A-AF, AS-AX ,BL-C H	1
-592	315T3505-38		.SLIDER ASSY	DG-DM K-M, U-Z,A G-AM, AY-BD ,CJ-D F DN-DT	1

78-31-45

FIG. & ITEM	PART NO.	AIRLINE PART NUMBER	NOMENCLATURE 1234567	EFF CODE	QTY PER ASSY
07-596	315T3505-9		..TAPE	G-AM, AS-BD ,BL-D T	1
600	315T3505-40		..SLIDER	G-J, N-T,A A-AF, AS-AX ,BL-C H	1
-604	315T3505-39		..SLIDER	DG-DM K-M, U-Z,A G-AM, AY-BD ,CJ-D F	1
608	315T3505-35		.SLIDER ASSY	DN-DT G-J, N-T,A A-AF, AS-AX ,BL-C H	1
-612	315T3505-36		.SLIDER ASSY	DG-DM K-M, U-Z,A G-AM, AY-BD ,CJ-D F	1
616	315T3505-9		..TAPE	DN-DT G-AM, AS-BD ,BL-D T	1
620	BACB30LP4P4		..BOLT	G-AM, AS-BD ,BL-D T	2

78-31-45

 ILLUSTRATED PARTS LIST
 01.1 Page 1094X
 Jul 01/05

 **BOEING**
COMPONENT
MAINTENANCE MANUAL

FIG. & ITEM	PART NO.	AIRLINE PART NUMBER	NOMENCLATURE 1234567	EFF CODE	QTY PER ASSY
07-624	315T3556-5		..BLOCK-LWR STOP	G-AM, AS-BD ,BL-D T	1
628	315T3505-39		..SLIDER	G-J, N-T,A A-AF, AS-AX ,BL-C H	1
-632	315T3505-40		..SLIDER	DG-DM K-M, U-Z,A G-AM, AY-BD ,CJ-D F	1
636	BACB30MY6K5		.BOLT	DN-DT G-AM, AS-BD ,BL-D T	2
640	L8006K6		.BOLT- (V06725) (SPEC BACB30MY6K6) (OPT L800-6-6 (V97928))	G-AM, AS-BD ,BL-D T	4
644	HL79-6		.COLLAR- (V5M902) (SPEC BACC30M6) (OPT HL79-6 (V73197)) (OPT HL79-6 (V92215)) (OPT 66014-6 (V56878)) (OPT HL79-6 (V56878))	G-AM, AS-BD ,BL-D T	6

78-31-45

ILLUSTRATED PARTS LIST
01.1 Page 1094Y
Jul 01/05

FIG. & ITEM	PART NO.	AIRLINE PART NUMBER	NOMENCLATURE 1234567	EFF CODE	QTY PER ASSY
07-648	315T3500-5		. FILLER-RADIUS	G-AM, AS-BD ,BL-D T	2
652	315T4572-25		. FITTING ASSY-SLIDER ATTACH	G-J, N-T,A A-AF, AS-AX ,BL-C H DG-DM	1
-656	315T4572-26		. FITTING ASSY-SLIDER ATTACH	K-M, U-Z,A G-AM, AY-BD ,CJ-D F DN-DT	1
660	BACR15BA3AD		.. RIVET- (SIZE DETERMINE ON INST)	G-AM, AS-BD ,BL-D T	6
664	F5000-3BAC		.. NUTPLATE- (V15653) (SPEC BACN10JR3F) (OPT NS103203-02 (V80539)) (OPT RMF9201-3 (V72962)) (OPT VN152A1-02 (V92215)) (OPT T8091S1032 (V11815)) (OPT BRF200A3 (V52828))	G-AM, AS-BD ,BL-D T	3

78-31-45

 ILLUSTRATED PARTS LIST
 01.1 Page 1094Z
 Jul 01/05

FIG. & ITEM	PART NO.	AIRLINE PART NUMBER	NOMENCLATURE 1234567	EFF CODE	QTY PER ASSY
07-668	315T4572-27		..FITTING- (OPT ITEM 668A)	G-J, N-T,A A-AF, AS-AX ,BL-C H DG-DM	1
-668A	315T4572-33		..FITTING- (OPT ITEM 668)	G-J, N-T,A A-AF, AS-AX ,BL-C H DG-DM	1
-672	315T4572-28		..FITTING- (OPT ITEM 672A)	K-M, U-Z,A G-AM, AY-BD ,CJ-D F DN-DT	1
-672A	315T4572-34		..FITTING- (OPT ITEM 672)	K-M, U-Z,A G-AM, AY-BD ,CJ-D F DN-DT	1
676	315T4572-20		.FITTING ASSY-SLIDER ATTACH	G-J, N-T,A A-AF, AS-AX ,BL-C H DG-DM	1

78-31-45

ILLUSTRATED PARTS LIST

01.1

Page 1095

Jul 01/05

FIG. & ITEM	PART NO.	AIRLINE PART NUMBER	NOMENCLATURE 1234567	EFF CODE	QTY PER ASSY
07- -680	315T4572-19		.FITTING ASSY-SLIDER ATTACH	K-M, U-Z,A G-AM, AY-BD ,CJ-D F DN-DT	1
684	BACR15BA3AD		..RIVET- (SIZE DETERMINE ON INST)	G-AM, AS-BD ,BL-D T	6
688	F5000-3BAC		..NUTPLATE- (V15653) (SPEC BACN10JR3F) (OPT NS103203-02 (V80539)) (OPT RMF9201-3 (V72962)) (OPT VN152A1-02 (V92215)) (OPT T8091S1032 (V11815)) (OPT BRF200A3 (V52828))	G-AM, AS-BD ,BL-D T	3
692	315T4572-22		..FITTING	G-J, N-T,A A-AF, AS-AX ,BL-C H DG-DM	1
-696	315T4572-21		..FITTING	K-M, U-Z,A G-AM, AY-BD ,CJ-D F DN-DT	1

78-31-45

 ILLUSTRATED PARTS LIST
 01.1 Page 1096
 Jul 01/05

 **BOEING**
COMPONENT
MAINTENANCE MANUAL

FIG. & ITEM	PART NO.	AIRLINE PART NUMBER	NOMENCLATURE 1234567	EFF CODE	QTY PER ASSY
07-700	BACB30LE6K46		.BOLT	G-AM, AS-BD ,BL-D T	6
704	BACW10BP6CD		.WASHER	G-AM, AS-BD ,BL-D T	6
708	NAS1149F0663P		.WASHER	G-AM, AS-BD ,BL-D T	6
712	H39953-6		.NUT- (V15653) (SPEC BACN10HR6CS) (OPT 109LH9031-6 (V72962)) (OPT 67832AS624 (V56878)) (OPT BMN5024CPD3-6 (V97928)) (OPT BH00303-6 (V27238)) (OPT SL7059C624 (V11815)) (OPT BH003036 (V27238)) (OPT BMN5024CPD36 (V97928)) (OPT CR5908 (V62554)) (OPT H39953 (V15653)) (OPT SL705096 (V11815)) (OPT 109LH90316 (V72962)) (OPT 67832AS6 (V56878)) (OPT BH003026CS (V27238))	G-AM, AS-BD ,BL-D T	6
716	315T3593-6		.BUSHING	G-AM, AS-BD ,BL-D T	12

78-31-45

ILLUSTRATED PARTS LIST
01.1 Page 1096A
Jul 01/05

FIG. & ITEM	PART NO.	AIRLINE PART NUMBER	NOMENCLATURE 1234567	EFF CODE	QTY PER ASSY
07-720	315T3511-5		.LINK ASSY-FAN DRAG	G-AM, AS-BD ,BL-D T	6
724	VTB04550		..BEARING ASSY- (V06710) (SPEC S302T001-302A) (OPT P21630 (V57606)) (OPT AMB6V4035 (V57606)) (FOR DETAILS SEE FIG.80)	G-AM, AS-BD ,BL-D T	1
-724A	P21630		..BEARING ASSY- (V57606) (SPEC S302T001-302A) (OPT VTB04550 (V06710)) (OPT AMB6V4035 (V57606)) (FOR DETAILS SEE FIG. 80)	G-AM, AS-BD ,BL-D T	1
-724B	AMB6V4035		..BEARING ASSY- (V57606) (SPEC S302T001-302A) (OPT VTB04550 (V06710)) (OPT P21630 (V57606)) (FOR DETAILS SEE FIG. 80)	G-AM, AS-BD ,BL-D T	1
728	315T3517-5		..BUSHING	G-AM, AS-BD ,BL-D T	2
732	315T3511-4		..LINK-DRAG	G-AM, AS-BD ,BL-D T	1

78-31-45

 ILLUSTRATED PARTS LIST
 01.1 Page 1096B
 Jul 01/05

FIG. & ITEM	PART NO.	AIRLINE PART NUMBER	NOMENCLATURE 1234567	EFF CODE	QTY PER ASSY
07-736	NAS6704U18		.BOLT	G-AM, AS-BD ,BL-D T	12
740	BACW10BP4ACU		.WASHER	G-AM, AS-BD ,BL-D T	30
744	NAS1805-4		.NUT	G-AM, AS-BD ,BL-D T	12
748	315T4532-2		.CLIP	G-AM, AS-BD ,BL-D T	6
752	315T3508-165		.DOOR ASSY-BLOCKER, UPR (OPT ITEMS 752A, 752B) (FOR DETAILS SEE FIG. 2)	G-J, N-T,A A-AF	1
-752A	212-1001-01		.DOOR ASSY-BLOCKER, UPR (VK8856) (SPEC S315T310-19) (OPT ITEMS 752, 752B)	G-J, N-T,A A-AF	1
-752B	212-1301-01		.DOOR ASSY-BLOCKER, UPR (VK8856) (SPEC S315T310-24) (OPT ITEMS 752, 752A)	G-J, N-T,A A-AF	1
-752C	315T4508-1		.DOOR ASSY-BLOCKER, UPR (OPT ITEM 752D) (FOR DETAILS SEE FIG. 9)	AS-AX ,BL,B P,BS, BV,B Y-CA CD-CF	1

78-31-45

FIG. & ITEM	PART NO.	AIRLINE PART NUMBER	NOMENCLATURE 1234567	EFF CODE	QTY PER ASSY
07- -752D	212-1301-01		.DOOR ASSY-BLOCKER, UPR (VK8856) (SPEC S315T310-24) (OPT ITEM 752C)	AS-AX ,BL,B P,BS, BV,B Y-CA CD-CF	1
-752E	315T4508-3		.DOOR ASSY-BLOCKER, UPR (OPT ITEM 752F) (FOR DETAILS SEE FIG. 9)	BM,BN ,BQ,B R,BT, BU,BW ,BX CB,CC ,CG,C H	1
-752F	212-1301-01		.DOOR ASSY-BLOCKER, UPR (VK8856) (SPEC S315T310-24) (OPT ITEM 752E)	BM,BN ,BQ,B R,BT, BU,BW ,BX CB,CC ,CG,C H	1
-752G	315T4508-5		.DOOR ASSY-BLOCKER, UPR (OPT ITEM 752H) (FOR DETAILS SEE FIG. 9)	DG-DM	1
-752H	212-1301-01		.DOOR ASSY-BLOCKER, UPR (VK8856) (SPEC S315T310-24) (OPT ITEM 752G)	DG-DM	1

78-31-45

 ILLUSTRATED PARTS LIST
 01.1 Page 1096D
 Jul 01/05

 **BOEING**
COMPONENT
MAINTENANCE MANUAL

FIG. & ITEM	PART NO.	AIRLINE PART NUMBER	NOMENCLATURE 1234567	EFF CODE	QTY PER ASSY
07- -756	315T3508-166		.DOOR ASSY-BLOCKER, UPR (OPT ITEMS 756A, 756B) (FOR DETAILS SEE FIG. 2)	K-M, U-Z,A G-AM	1
-756A	212-1001-02		.DOOR ASSY-BLOCKER, UPR (VK8856) (SPEC S315T310-20) (OPT ITEMS 756, 756B)	K-M, U-Z,A G-AM	1
-756B	212-1301-02		.DOOR ASSY-BLOCKER, UPR (VK8856) (SPEC S315T310-25) (OPT ITEMS 756, 756A)	K-M, U-Z,A G-AM	1
-756C	315T4508-2		.DOOR ASSY-BLOCKER, UPR (OPT ITEM 756D) (FOR DETAILS SEE FIG. 9)	AY-BD ,CJ,C M,CQ, CT,C W-CY DB-DD	1
-756D	212-1301-02		.DOOR ASSY-BLOCKER, UPR (VK8856) (SPEC S315T310-25) (OPT ITEM 756C)	AY-BD ,CJ,C M,CQ, CT,C W-CY DB-DD	1
-756E	315T4508-4		.DOOR ASSY-BLOCKER, UPR (OPT ITEM 756F) (FOR DETAILS SEE FIG. 9)	CK,CL ,CN,C P,CR, CS,CU ,CV CZ,DA ,DE,D F	1
-756F	212-1301-02		.DOOR ASSY-BLOCKER, UPR (VK8856) (SPEC S315T310-25) (OPT ITEM 756E)	CK,CL ,CN,C P,CR, CS,CU ,CV CZ,DA ,DE,D F	1

78-31-45

ILLUSTRATED PARTS LIST
01.1 Page 1096E
Jul 01/05

FIG. & ITEM	PART NO.	AIRLINE PART NUMBER	NOMENCLATURE 1234567	EFF CODE	QTY PER ASSY
07- -756G	315T4508-6		.DOOR ASSY-BLOCKER, UPR (OPT ITEM 756H) (FOR DETAILS SEE FIG. 9)	DN-DT	1
-756H	212-1301-02		.DOOR ASSY-BLOCKER, UPR (VK8856) (SPEC S315T310-25) (OPT ITEM 756G)	DN-DT	1
760	315T3507-74		.DOOR ASSY-BLOCKER, COMMON (OPT ITEMS 760A, 760B) (FOR DETAILS SEE FIG. 3)	G-AM	4
-760A	212-0001-01		.DOOR ASSY-BLOCKER, COMMON (VK8856) (SPEC S315T310-18) (OPT ITEMS 760, 760B)	G-AM	4
-760B	212-0301-01		.DOOR ASSY-BLOCKER, COMMON (VK8856) (SPEC S315T310-23) (OPT ITEMS 760, 760A)	G-AM	4
-760C	315T4507-1		.DOOR ASSY-BLOCKER, COMMON (OPT ITEM 760D) (FOR DETAILS SEE FIG. 10)	AS-BD ,BL,B P,BS, BV,B Y-CA CD-CF ,CJ,C M,CQ, CT,C W-CY	4
-760D	212-0301-01		.DOOR ASSY-BLOCKER, COMMON (VK8856) (SPEC S315T310-23) (OPT ITEM 760C)	AS-BD ,BL,B P,BS, BV,B Y-CA CD-CF ,CJ,C M,CQ, CT,C W-CY DB-DD	4

78-31-45

 ILLUSTRATED PARTS LIST
 01.1 Page 1096F
 Jul 01/05

 **BOEING**
COMPONENT
MAINTENANCE MANUAL

FIG. & ITEM	PART NO.	AIRLINE PART NUMBER	NOMENCLATURE 1234567	EFF CODE	QTY PER ASSY
07- -760E	315T4507-3		.DOOR ASSY-BLOCKER, COMMON (OPT ITEM 760F) (FOR DETAILS SEE FIG. 10)	BM,BN ,BQ,B R,BT, BU,BW ,BX CB,CC ,CG,C H,CK, CL,CN ,CP CR,CS ,CU,C V,CZ, DA,DE ,DF	4
-760F	212-0301-01		.DOOR ASSY-BLOCKER, COMMON (VK8856) (SPEC S315T310-23) (OPT ITEM 760E)	BM,BN ,BQ,B R,BT, BU,BW ,BX CB,CC ,CG,C H,CK, CL,CN ,CP CR,CS ,CU,C V,CZ, DA,DE ,DF	4
-760G	315T4507-5		.DOOR ASSY-BLOCKER, COMMON (OPT ITEM 760H) (FOR DETAILS SEE FIG.10)	DG-DT	4
-760H	212-0301-01		.DOOR ASSY-BLOCKER, COMMON (VK8856) (SPEC S315T310-23) (OPT ITEM 760G)	DG-DT	4

78-31-45

ILLUSTRATED PARTS LIST
01.1 Page 1096G
Jul 01/05

FIG. & ITEM	PART NO.	AIRLINE PART NUMBER	NOMENCLATURE 1234567	EFF CODE	QTY PER ASSY
07-764	315T3509-117		.DOOR ASSY-BLOCKER, LWR (OPT ITEMS 764A, 764B) (FOR DETAILS SEE FIG. 4)	G-J, N-T,A A-AF	1
-764A	212-2001-01		.DOOR ASSY-BLOCKER, LWR (VK8856) (SPEC S315T310-21) (OPT ITEMS 764, 764B)	G-J, N-T,A A-AF	1
-764B	212-2301-01		.DOOR ASSY-BLOCKER, LWR (VK8856) (SPEC S315T310-26) (OPT ITEMS 764, 764A)	G-J, N-T,A A-AF	1
-764C	315T4509-1		.DOOR ASSY-BLOCKER, LWR (OPT ITEM 764C) (FOR DETAILS SEE FIG. 11)	AS-AX ,BL,B P,BS, BV,B Y-CA CD-CF	1
-764D	212-2301-01		.DOOR ASSY-BLOCKER, LWR (VK8856) (SPEC S315T310-26) (OPT ITEM 764C)	AS-AX ,BL,B P,BS, BV,B Y-CA CD-CF	1
-764E	315T4509-3		.DOOR ASSY-BLOCKER, LWR (OPT ITEM 764F) (FOR DETAILS SEE FIG. 11)	BM,BN ,BQ,B R,BT, BU,BW ,BX CB,CC ,CG,C H	1

78-31-45

 ILLUSTRATED PARTS LIST
 01.1 Page 1096H
 Jul 01/05

 **BOEING**
COMPONENT
MAINTENANCE MANUAL

FIG. & ITEM	PART NO.	AIRLINE PART NUMBER	NOMENCLATURE 1234567	EFF CODE	QTY PER ASSY
07- -764F	212-2301-01		.DOOR ASSY-BLOCKER, LWR (VK8856) (SPEC S315T310-26) (OPT ITEM 764E)	BM,BN ,BQ,B R,BT, BU,BW ,BX CB,CC ,CG,C H	1
-764G	315T4509-5		.DOOR ASSY-BLOCKER, LWR (OPT ITEM 764H) (FOR DETAILS SEE FIG.11)	DG-DM	4
-764H	212-2301-01		.DOOR ASSY-BLOCKER, LWR (VK8856) (SPEC S315T310-26) (OPT ITEM 764G)	DG-DM	1
-768	315T3509-118		.DOOR ASSY-BLOCKER, LWR (OPT ITEMS 768A, 768B) (FOR DETAILS SEE FIG. 4)	K-M, U-Z,A	1
-768A	212-2001-02		.DOOR ASSY-BLOCKER, LWR (VK8856) (SPEC S315T310-22) (OPT ITEMS 768, 768B)	G-AM K-M, U-Z,A G-AM	1
-768C	212-2301-02		.DOOR ASSY-BLOCKER, LWR (VK8856) (SPEC S315T310-27) (OPT ITEMS 768, 768A)	K-M, U-Z,A G-AM	1
-768D	315T4509-2		.DOOR ASSY-BLOCKER, LWR (OPT ITEM 768E) (FOR DETAILS SEE FIG. 11)	AY-BD ,CJ,C M,CQ, CT,C W-CY DB-DD	1

78-31-45

ILLUSTRATED PARTS LIST
01.1 Page 1096I
Jul 01/05

FIG. & ITEM	PART NO.	AIRLINE PART NUMBER	NOMENCLATURE 1234567	EFF CODE	QTY PER ASSY
07- -768E	212-2301-02		.DOOR ASSY-BLOCKER, LWR (VK8856) (SPEC S315T310-27) (OPT ITEM 768D)	AY-BD ,CJ,C M,CQ, CT,C W-CY DB-DD	1
-768F	315T4509-4		.DOOR ASSY-BLOCKER, LWR (OPT ITEM 768G) (FOR DETAILS SEE FIG. 11)	CK,CL ,CN,C P,CR, CS,CU ,CV CZ,DA ,DE,D F	1
-768G	212-2301-02		.DOOR ASSY-BLOCKER, LWR (VK8856) (SPEC S315T310-27) (OPT ITEM 768F)	CK,CL ,CN,C P,CR, CS,CU ,CV CZ,DA ,DE,D F	1
-768H	315T4509-6		.DOOR ASSY-BLOCKER, LWR (OPT ITEM 768J) (FOR DETAILS SEE FIG.11)	DN-DT	4
-768J	212-2301-02		.DOOR ASSY-BLOCKER, LWR (VK8856) (SPEC S315T310-27) (OPT ITEM 768H)	DN-DT	1
772	BACB30VF3K4		.BOLT	G-AM, AS-BD ,BL-D T	12
776	BACR15BA3AD		.RIVET- (SIZE DETERMINE ON INST)	G-AM, AS-BD ,BL-D T	24

78-31-45

 ILLUSTRATED PARTS LIST
 01.1 Page 1096J
 Jul 01/05

 **BOEING**
COMPONENT
MAINTENANCE MANUAL

FIG. & ITEM	PART NO.	AIRLINE PART NUMBER	NOMENCLATURE 1234567	EFF CODE	QTY PER ASSY
07-780	BRF200C3M		.NUTPLATE- (V52828) (SPEC BACN10JR3CFM) (OPT F5001-3BAC (V15653)) (OPT NS103203SE02 (V80539)) (OPT VN152D1-02 (V92215)) (OPT 109F9201-3 (V72962)) (OPT T8092C1032 (V11815))	G-AM, AS-BD ,BL-D T	12
784	315T3557-1		.BUMPER ASSY-BLOCKER DOOR	G-AM, AS-BD ,BL-D T	12
784H	315T3557-2		..WASHER- (OPT ITEM 784J)	G-AM, AS-BD ,BL-D T	1
-784J	BACW10EH10AY		..WASHER- (OPT ITEM 784H)	G-AM, AS-BD ,BL-D T	1
784R	315T3557-3		..PAD	G-AM, AS-BD ,BL-D T	1

78-31-45

ILLUSTRATED PARTS LIST
01.1 Page 1096K
Jul 01/05

FIG. & ITEM	PART NO.	AIRLINE PART NUMBER	NOMENCLATURE 1234567	EFF CODE	QTY PER ASSY
07-785	315T3557-4		.PAD- (SELECT FROM)	G-AM, AS-BD ,BL-D T	AR
786	315T3557-5		.PAD- (SELECT FROM)	G-AM, AS-BD ,BL-D T	AR
788	BACB30NN3K19		.BOLT	G-AM, AS-BD ,BL-D T	15
792	BACW10P166L		.WASHER- (SELECT FROM)	G-AM, AS-BD ,BL-D T	AR
-792A	BACW10P205L		.WASHER- (SELECT FROM)	G-AM, AS-BD ,BL-D T	AR
-792B	BACW10P304L		.WASHER- (SELECT FROM)	G-AM, AS-BD ,BL-D T	AR
796	315T3557-4		.PAD	G-AM, AS-BD ,BL-D T	AR
800	315T3557-5		.PAD	G-AM, AS-BD ,BL-D T	AR

78-31-45

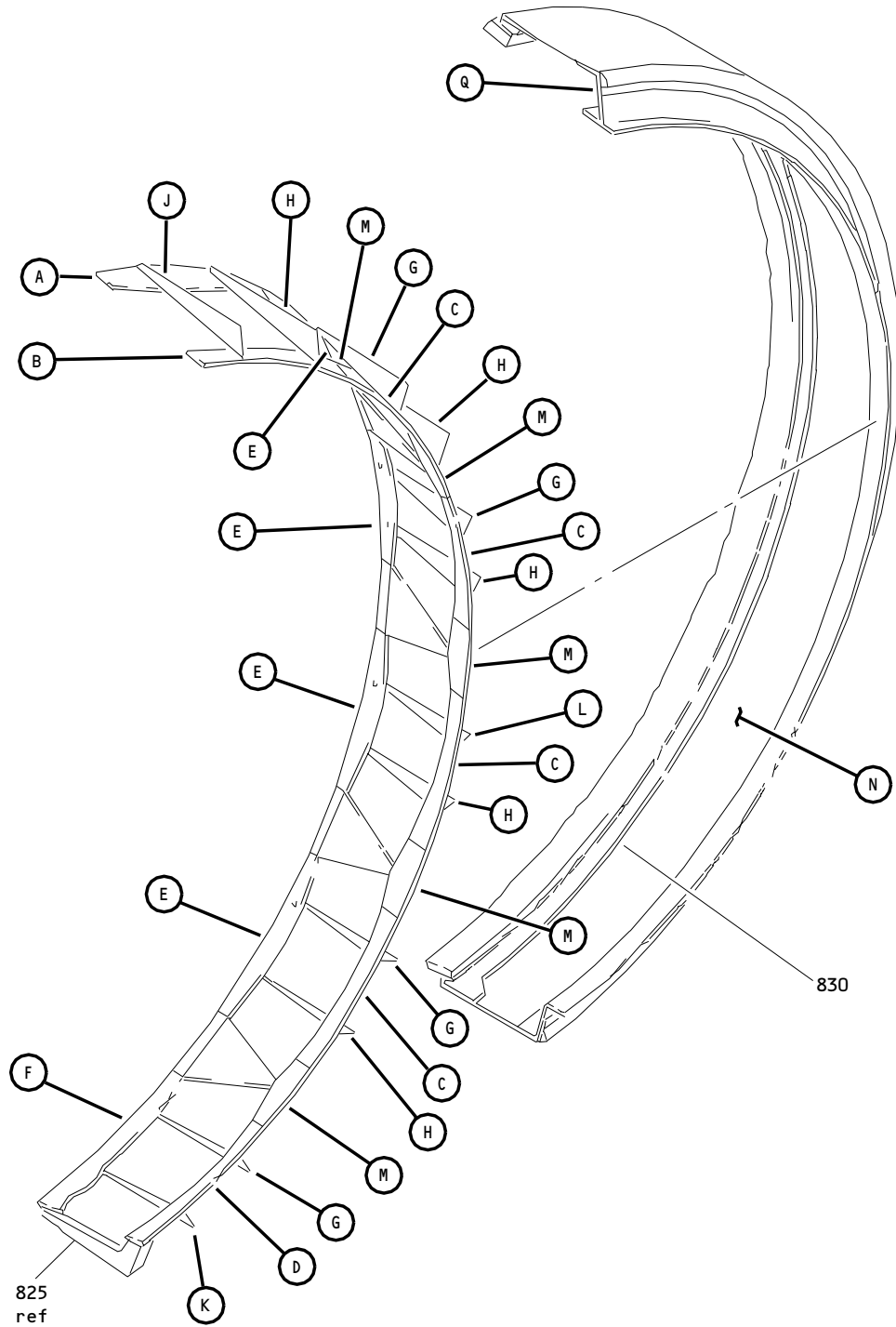
 ILLUSTRATED PARTS LIST
 01.1 Page 1096L
 Jul 01/05

FIG. & ITEM	PART NO.	AIRLINE PART NUMBER	NOMENCLATURE 1234567	EFF CODE	QTY PER ASSY
07-804	315T3518-1		.PANEL-ACOUSTIC	G-AM, AS-BD ,BL-D T	5
808	315T3501-35		.DIAPHRAGM ASSY-HINGE SPRT (FOR DETAILS SEE FIG. 8)	G,H	1
-812	315T3501-36		.DIAPHRAGM ASSY-HINGE SPRT (FOR DETAILS SEE FIG. 8)	K,L	1

- Item Not Illustrated

78-31-45

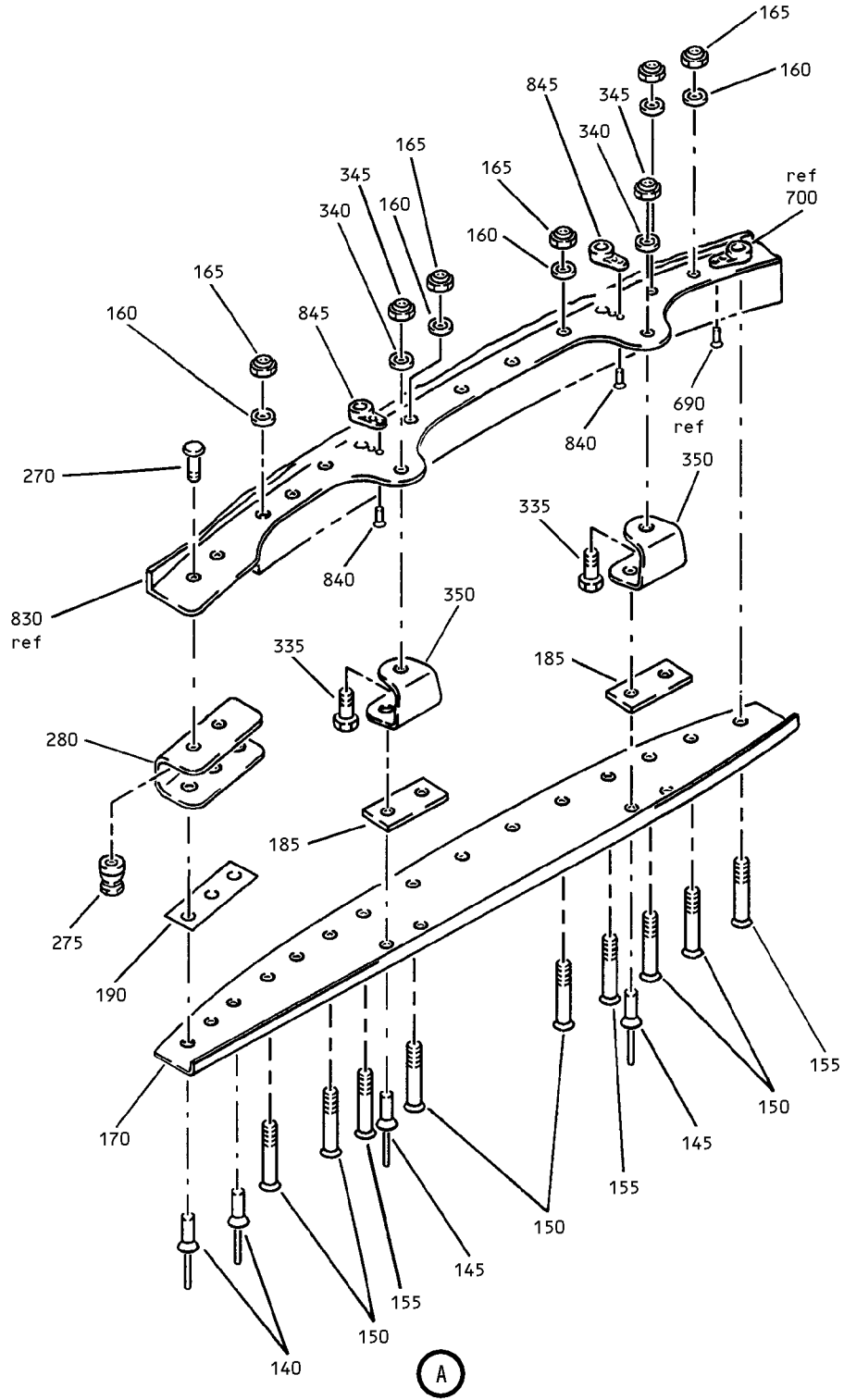
ILLUSTRATED PARTS LIST
01.1 Page 1096M
Jul 01/05



Diaphragm Hinge Support Assembly
Figure 8 (Sheet 1)

78-31-45

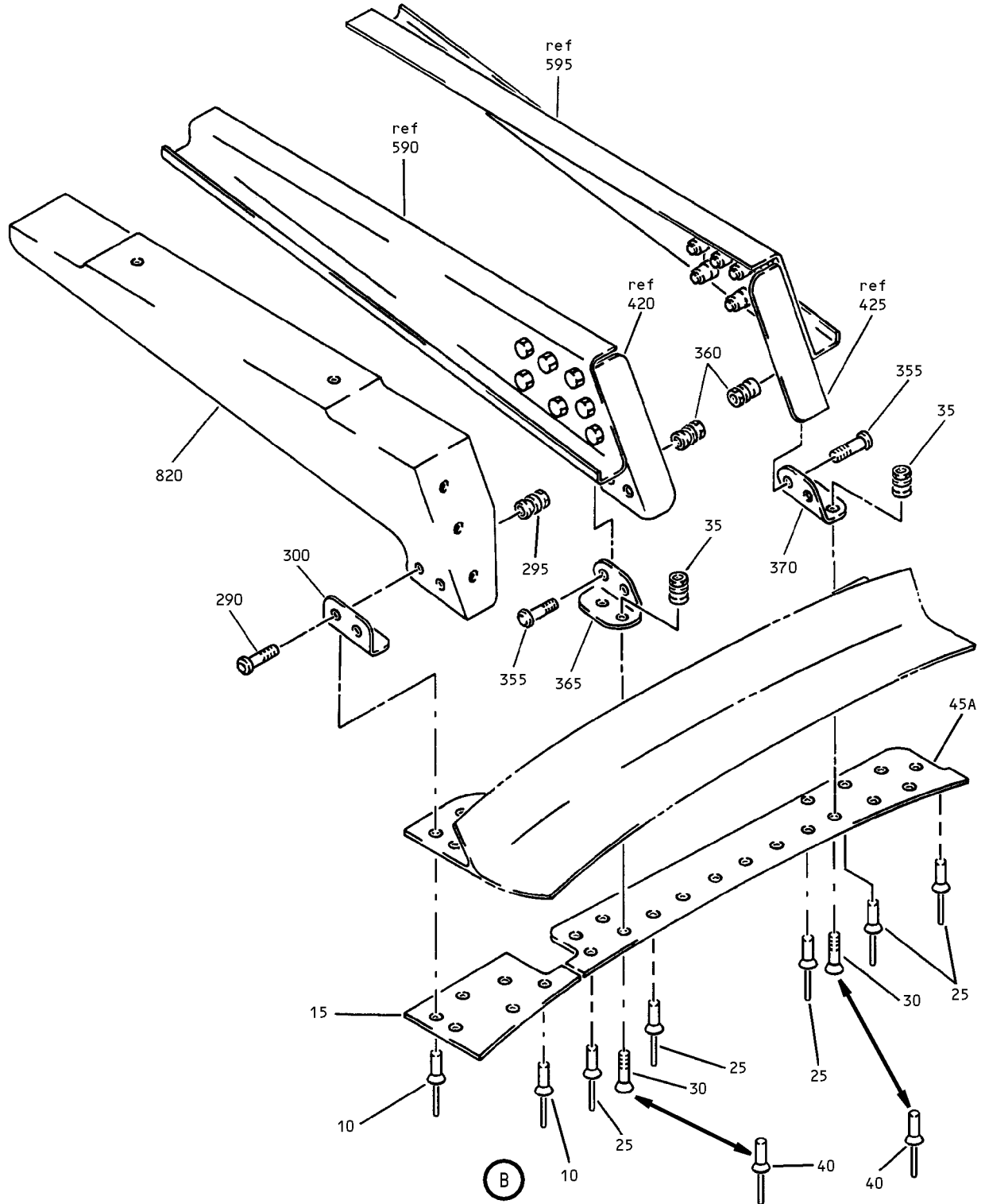
ILLUSTRATED PARTS LIST
01.1 Page 10960
Jul 01/05



Diaphragm Hinge Support Assembly
 Figure 8 (Sheet 2)

78-31-45

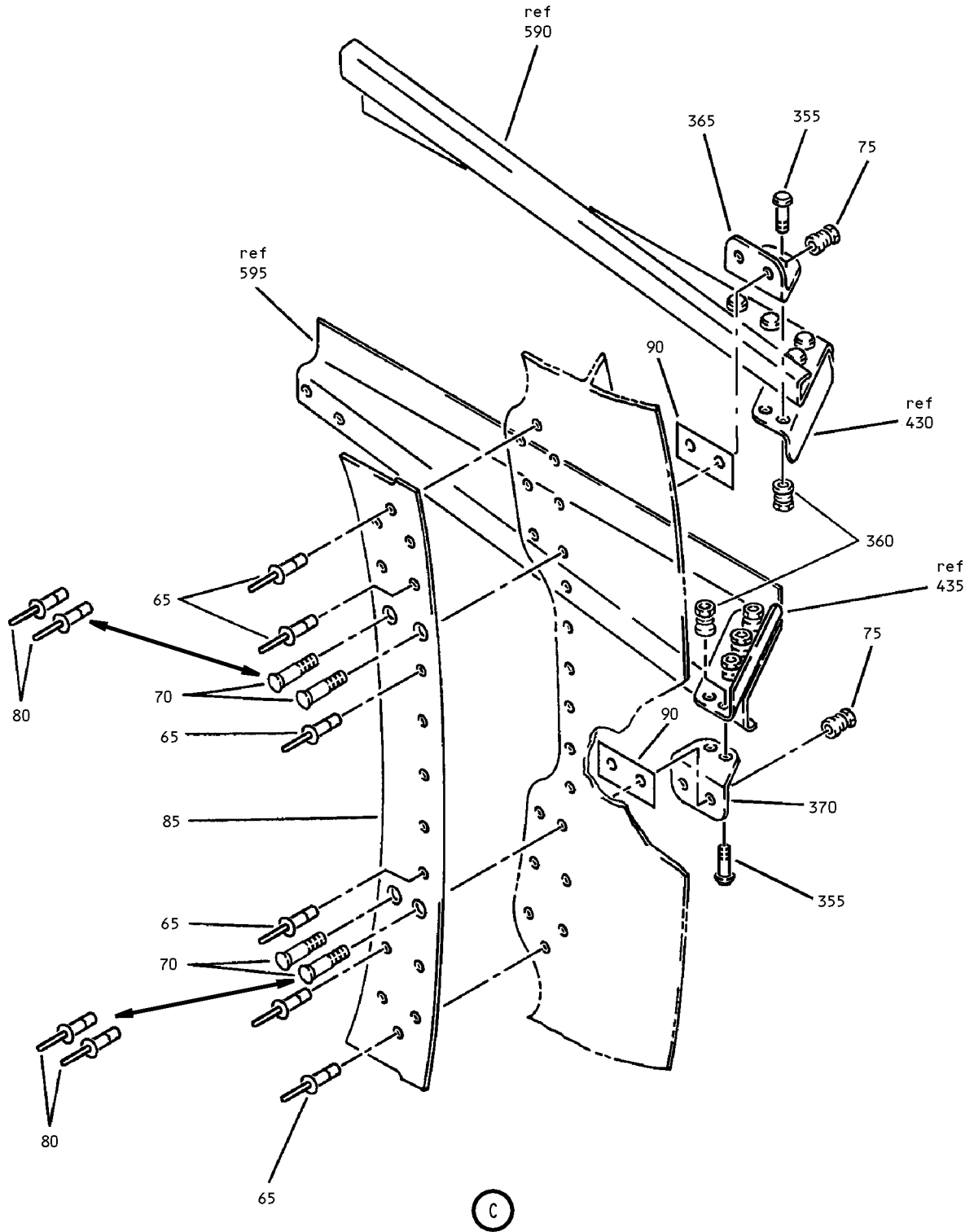
ILLUSTRATED PARTS LIST
 01.1 Page 1096P
 Jul 01/05



Diaphragm Hinge Support Assembly
Figure 8 (Sheet 3)

78-31-45

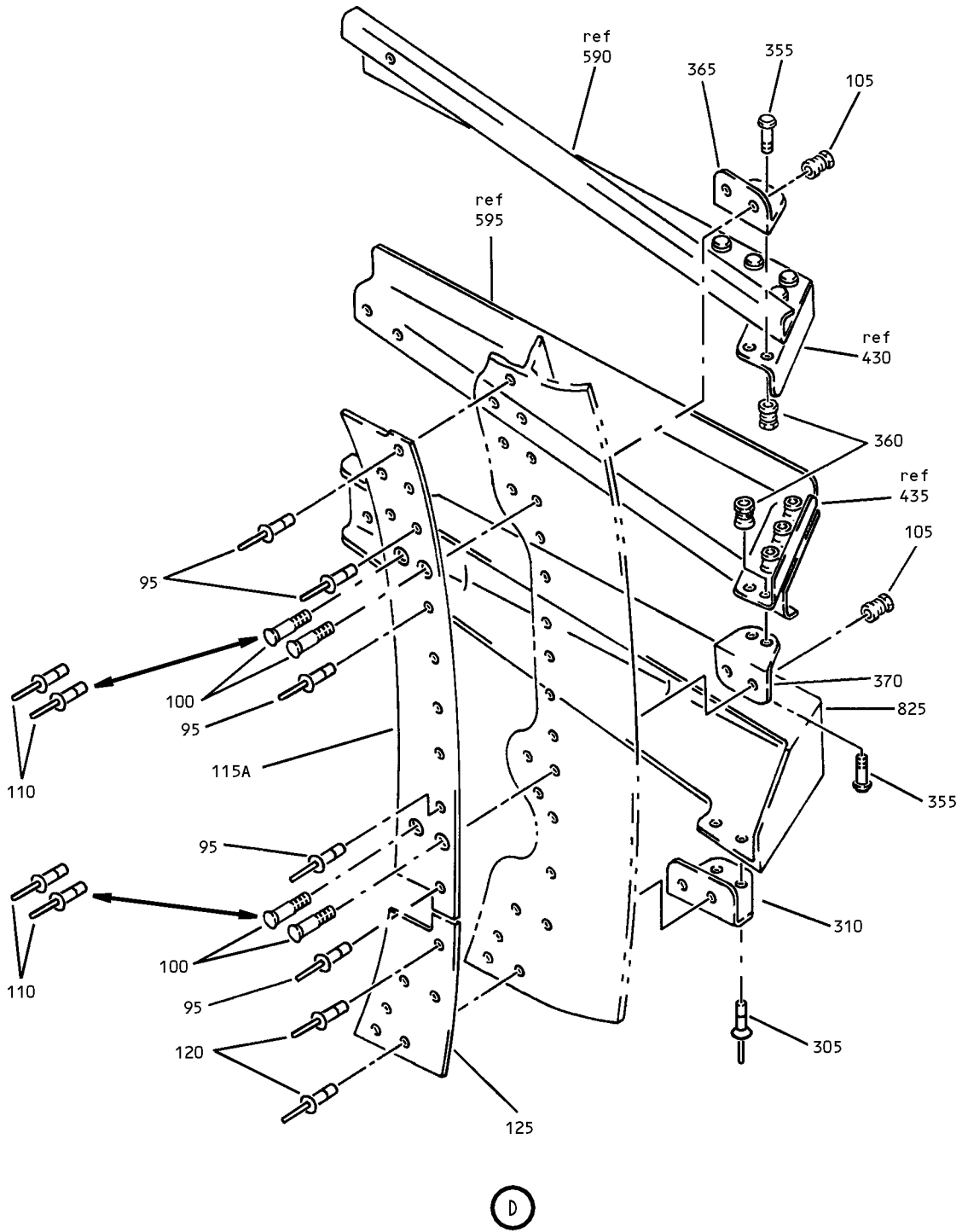
ILLUSTRATED PARTS LIST
01.1 Page 1096Q
Jul 01/05



Diaphragm Hinge Support Assembly
 Figure 8 (Sheet 4)

78-31-45

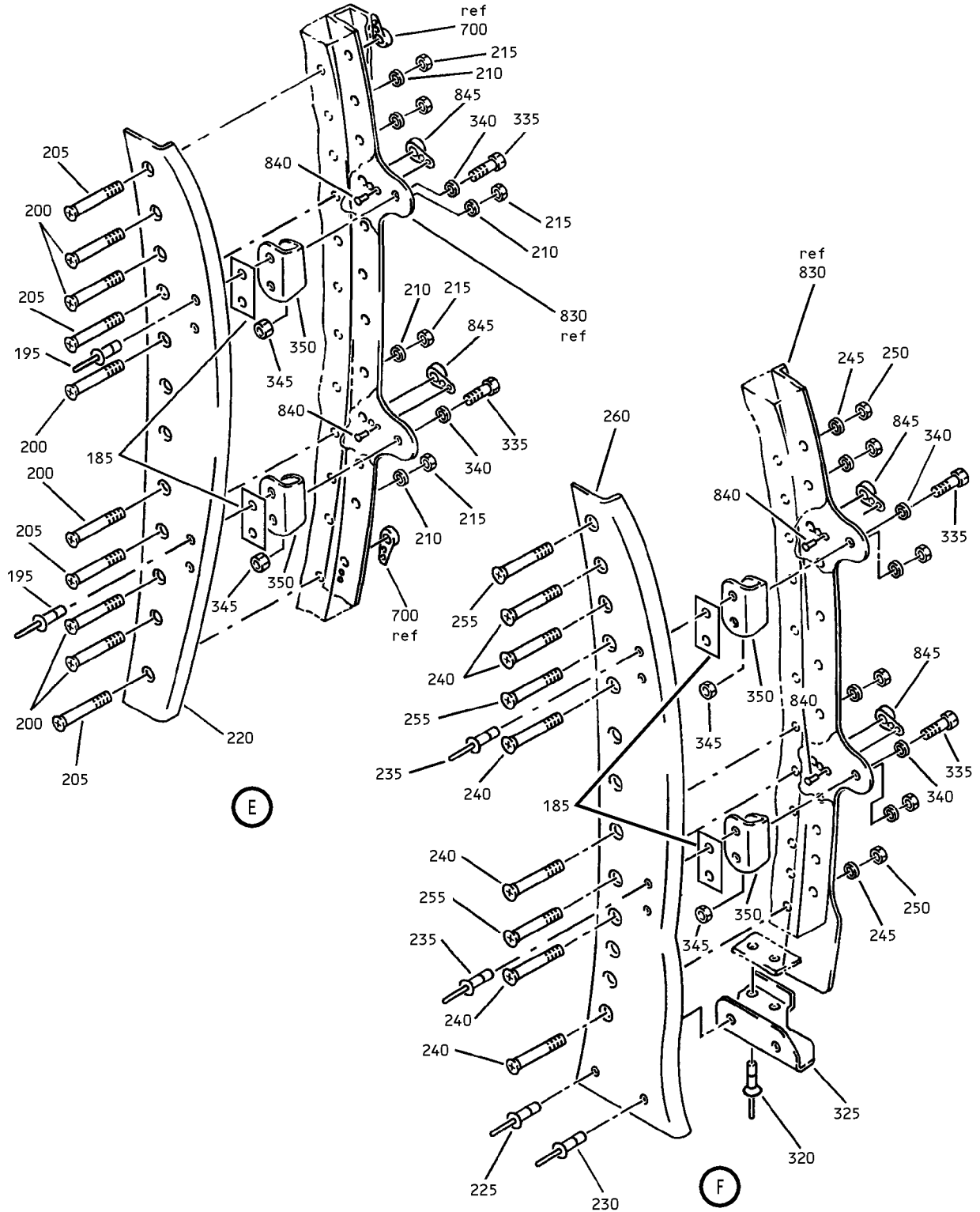
ILLUSTRATED PARTS LIST
 01.1 Page 1096R
 Jul 01/05



Diaphragm Hinge Support Assembly
Figure 8 (Sheet 5)

78-31-45

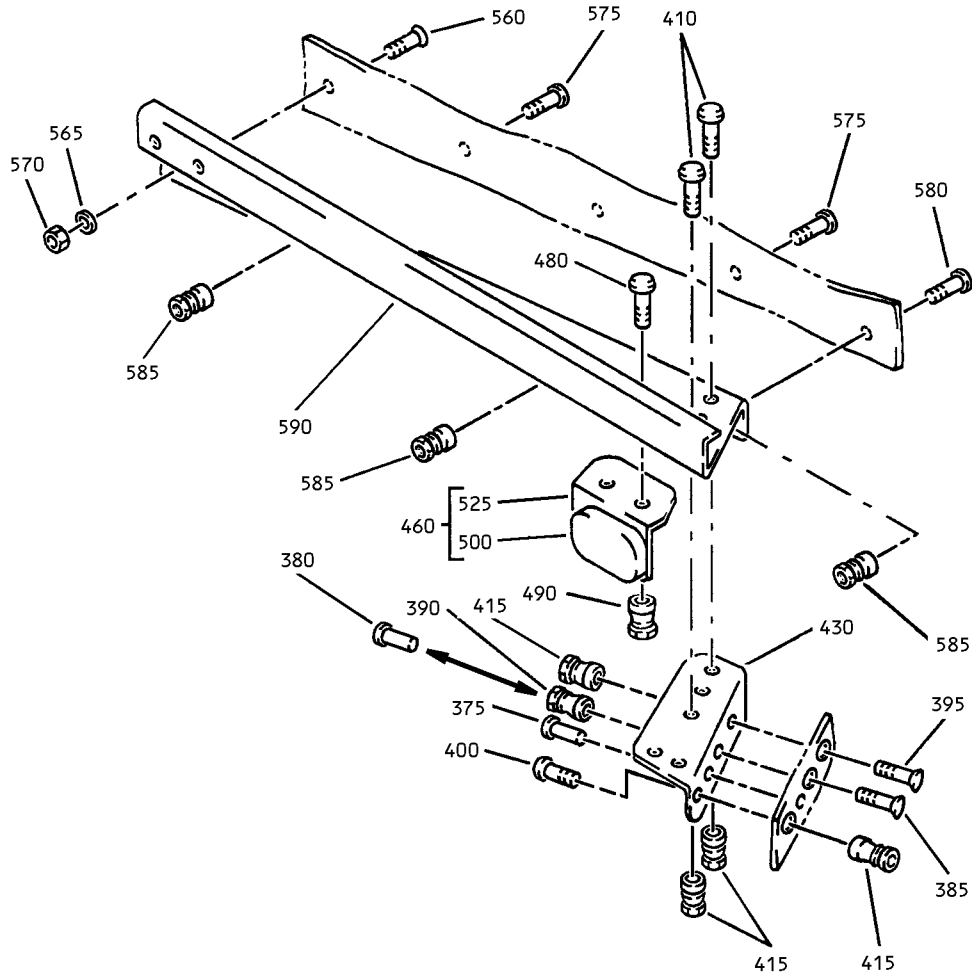
ILLUSTRATED PARTS LIST
01.1 Page 1096S
Jul 01/05



Diaphragm Hinge Support Assembly
 Figure 8 (Sheet 6)

78-31-45

ILLUSTRATED PARTS LIST
 01.1 Page 1096T
 Jul 01/05

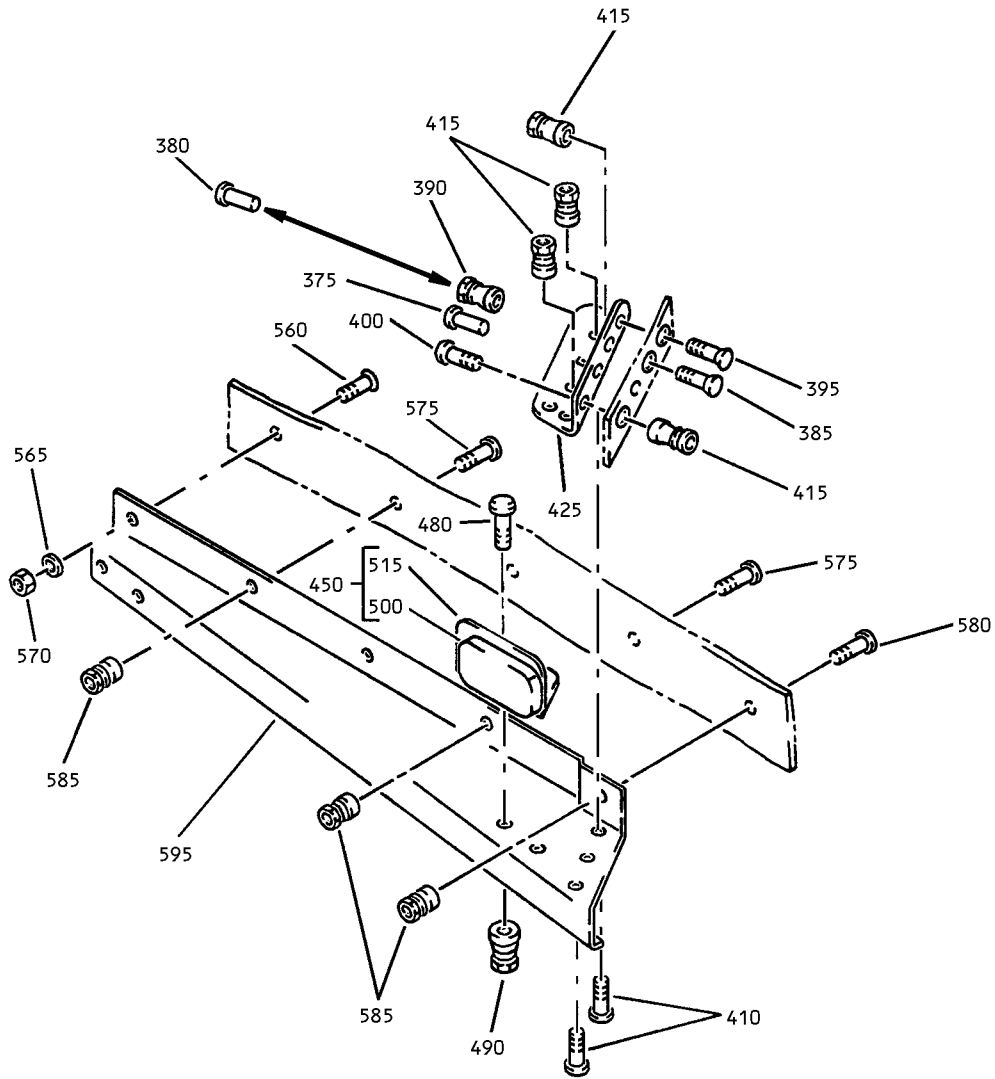


G

Diaphragm Hinge Support Assembly
Figure 8 (Sheet 7)

78-31-45

ILLUSTRATED PARTS LIST
01.1 Page 1096U
Jul 01/05

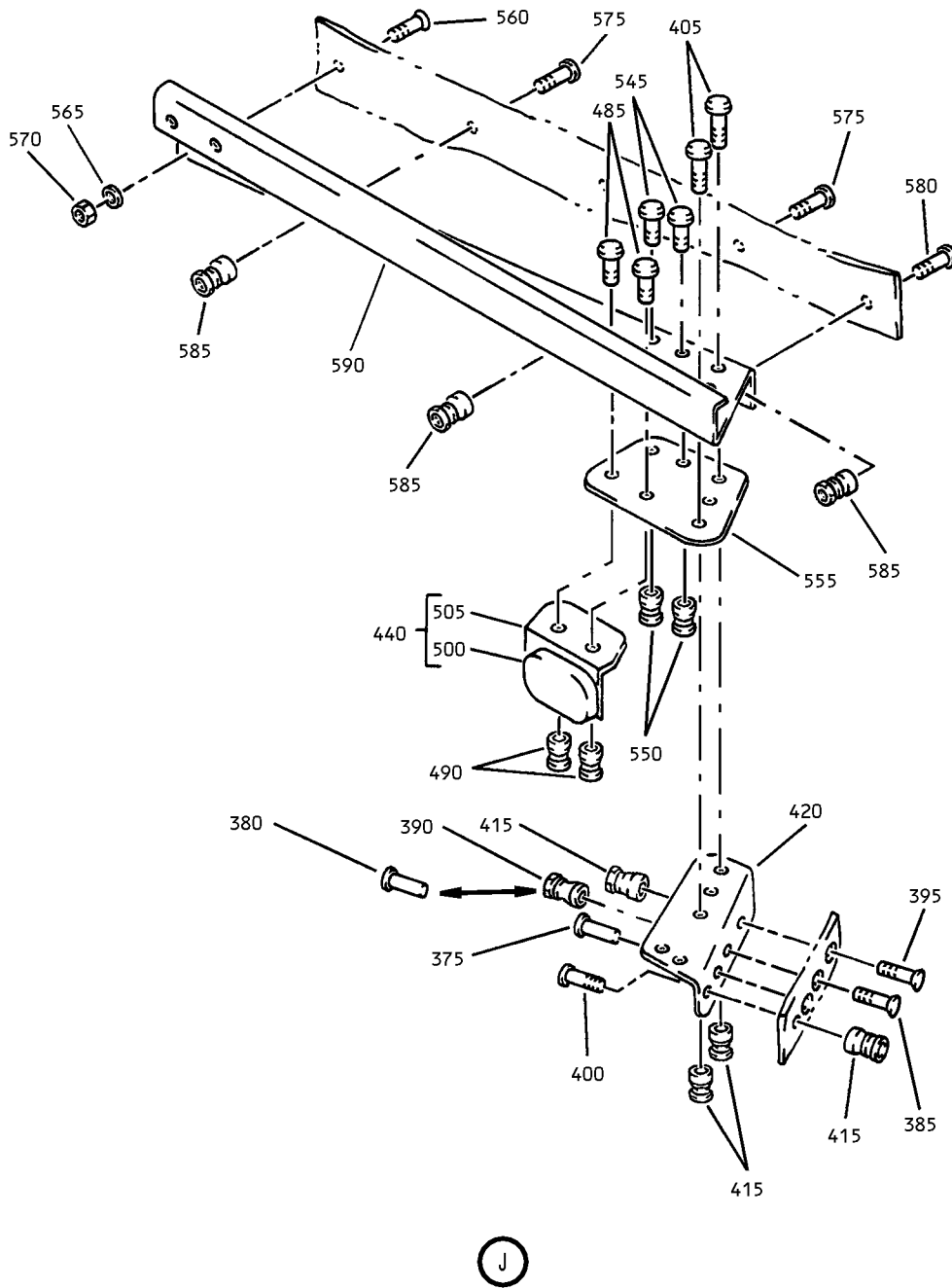


(H)

Diaphragm Hinge Support Assembly
 Figure 8 (Sheet 8)

78-31-45

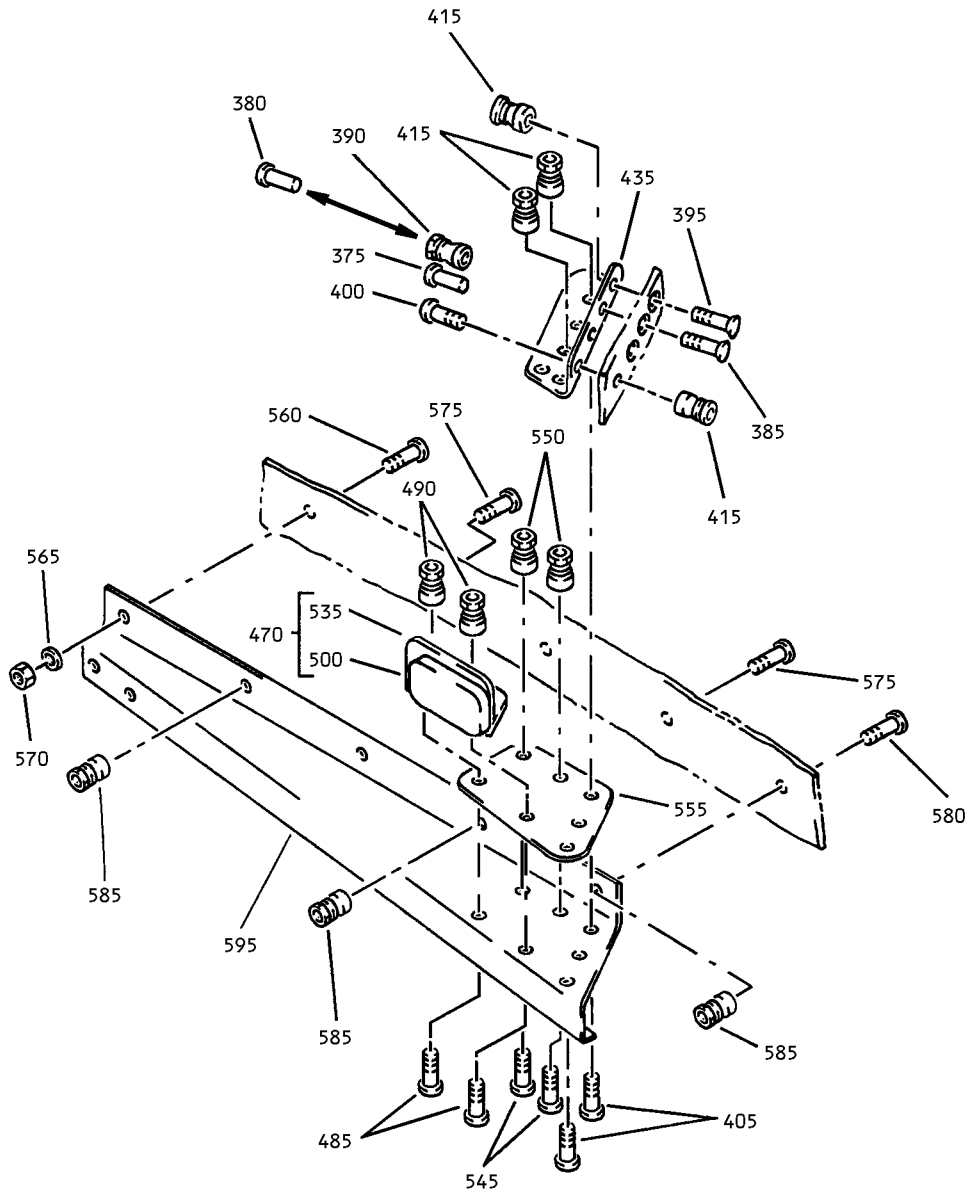
ILLUSTRATED PARTS LIST
 01.1 Page 1096V
 Jul 01/05



Diaphragm Hinge Support Assembly
Figure 8 (Sheet 9)

78-31-45

ILLUSTRATED PARTS LIST
01.1 Page 1096W
Jul 01/05

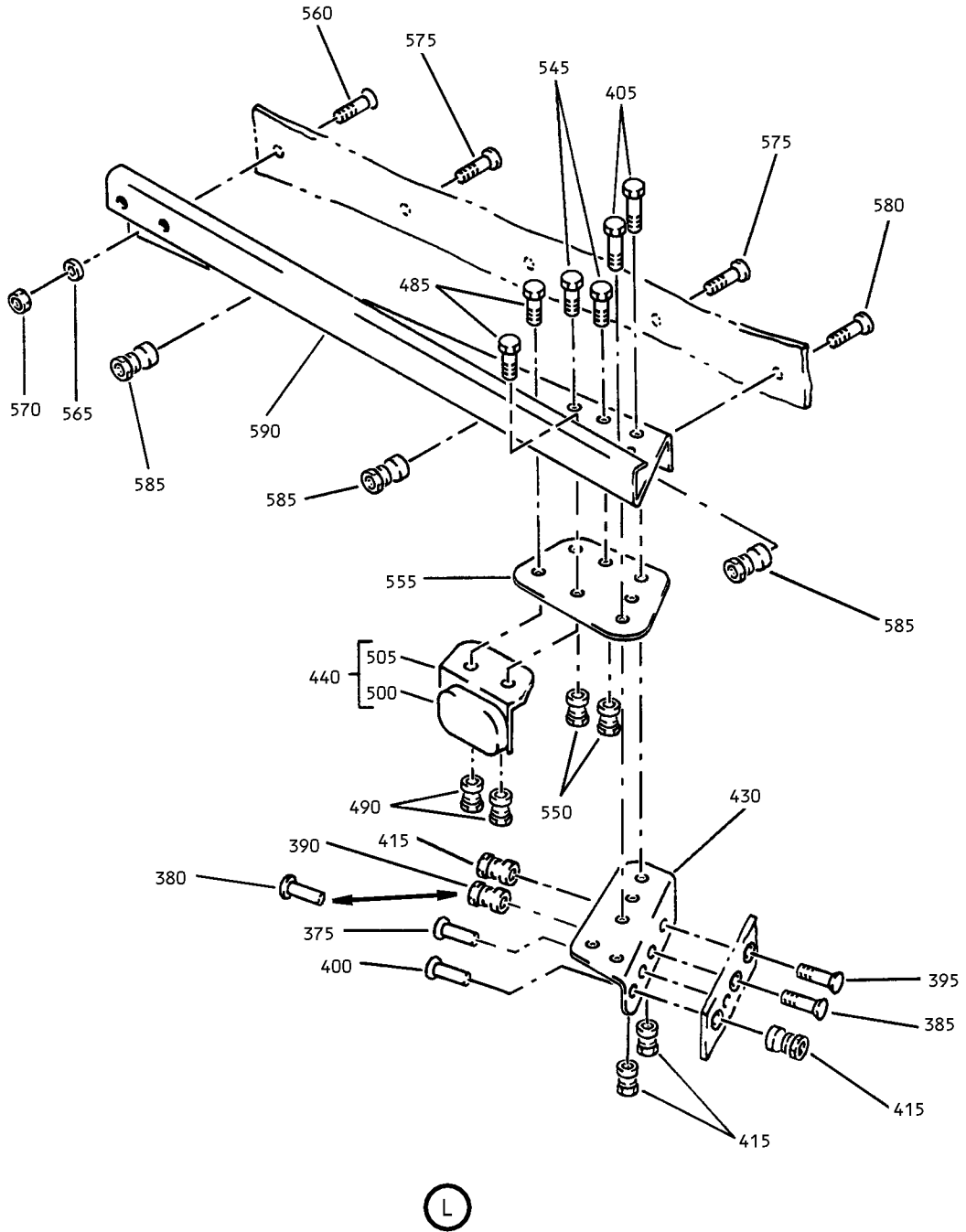


(K)

Diaphragm Hinge Support Assembly
 Figure 8 (Sheet 10)

78-31-45

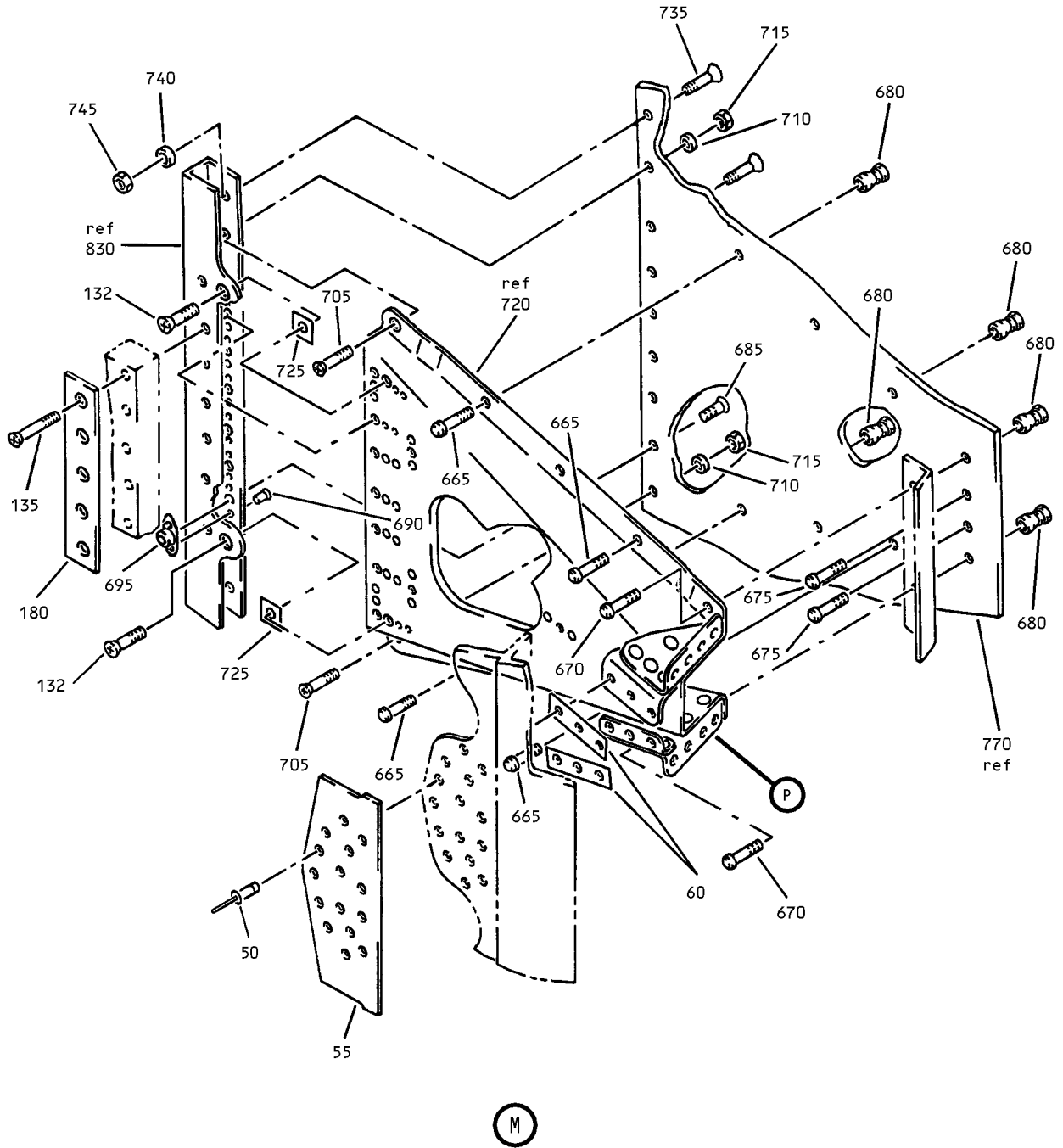
ILLUSTRATED PARTS LIST
 01.1 Page 1096X
 Jul 01/05



Diaphragm Hinge Support Assembly
Figure 8 (Sheet 11)

78-31-45

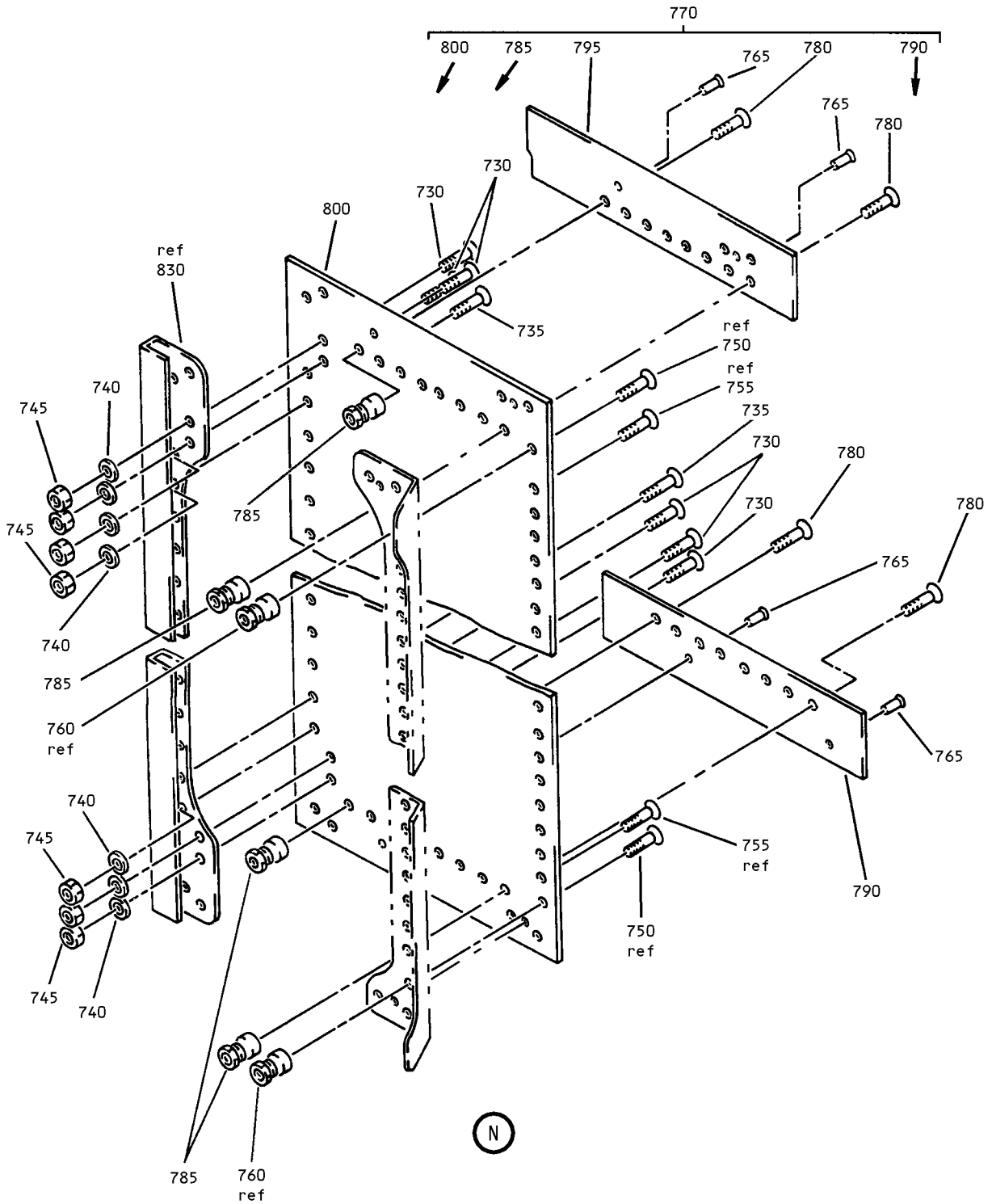
ILLUSTRATED PARTS LIST
01.1 Page 1096Y
Jul 01/05



Diaphragm Hinge Support Assembly
 Figure 8 (Sheet 12)

78-31-45

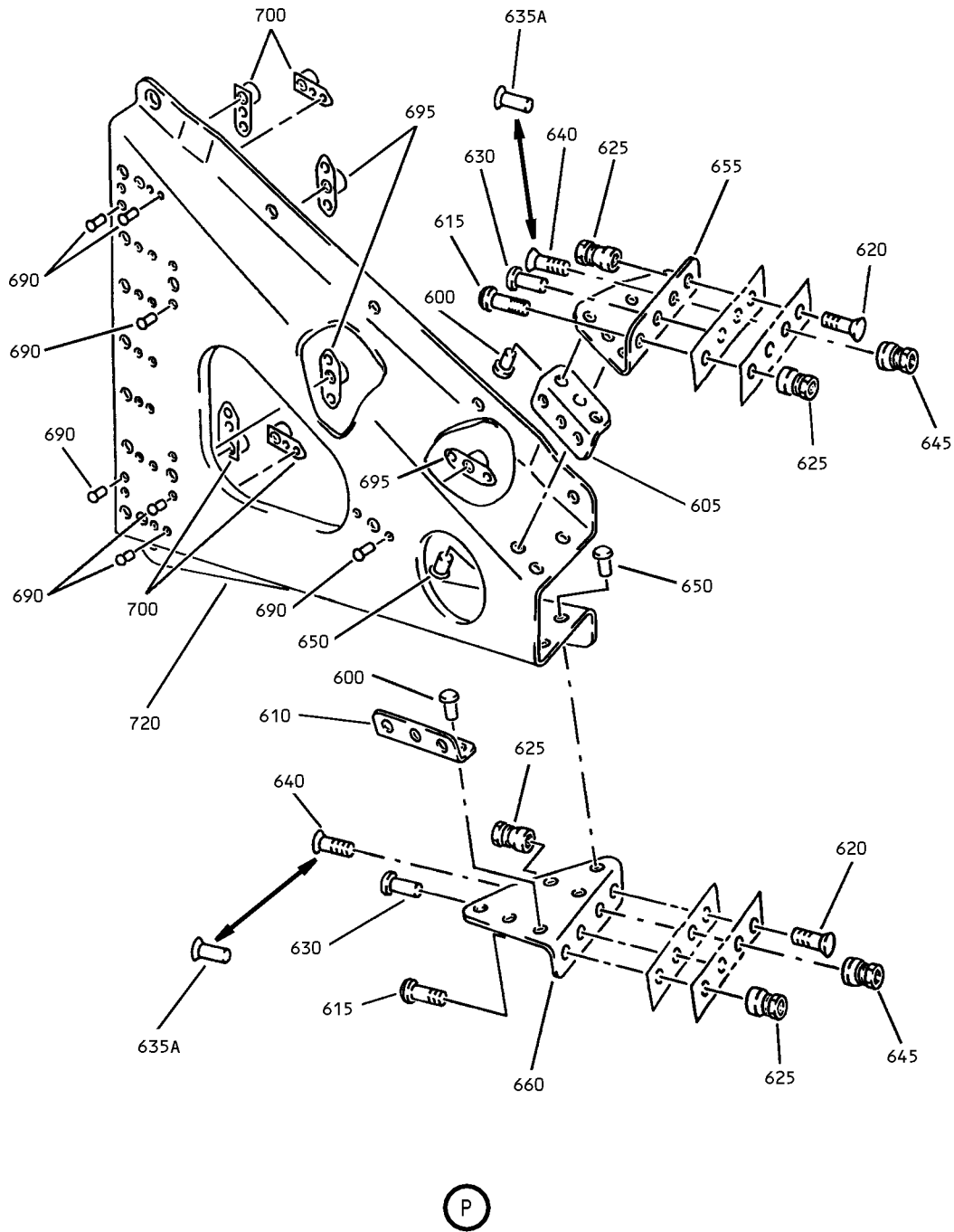
ILLUSTRATED PARTS LIST
 01.1 Page 1096Z
 Jul 01/05



Diaphragm Hinge Support Assembly
Figure 8 (Sheet 13)

78-31-45

ILLUSTRATED PARTS LIST
01.1 Page 1097
Jul 01/05

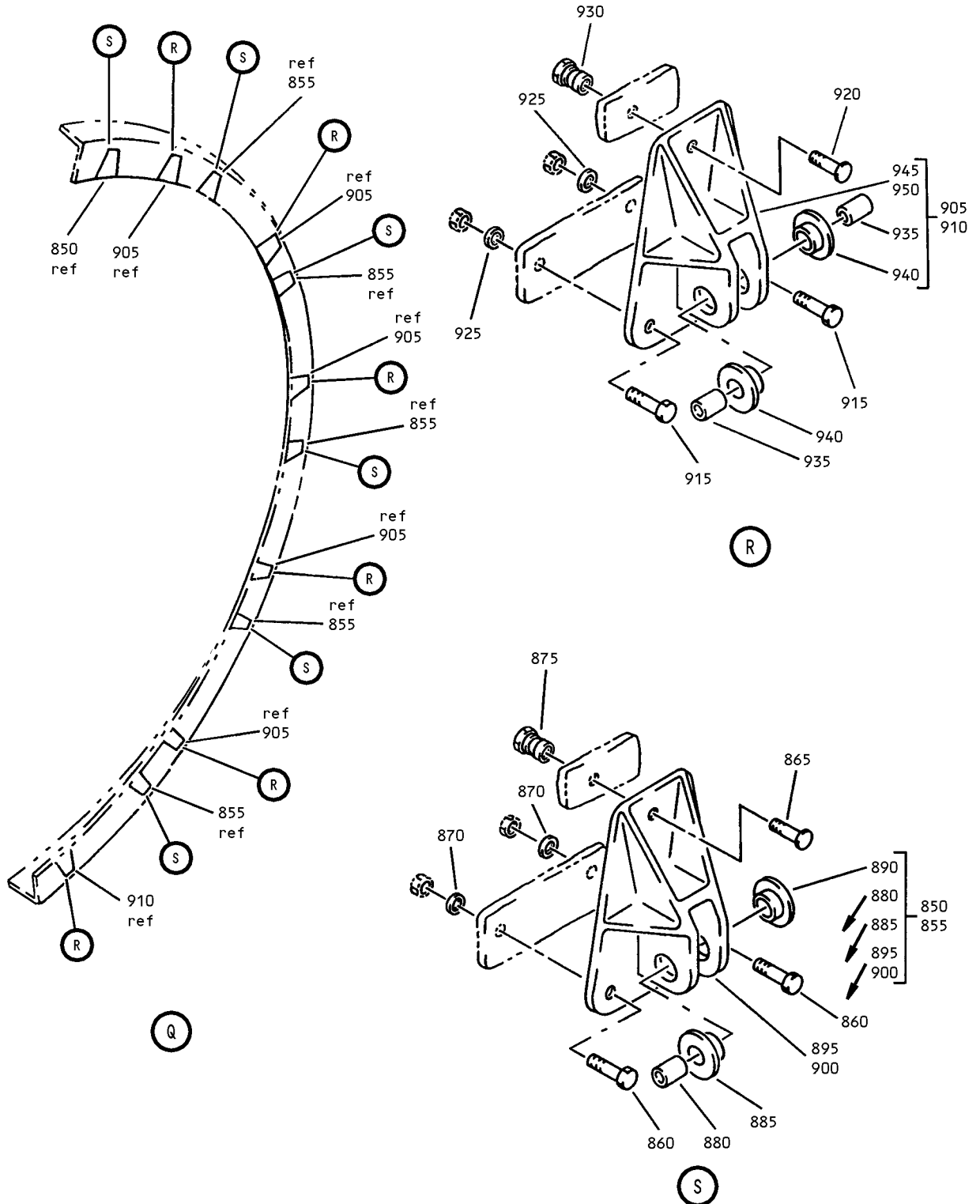


P

Diaphragm Hinge Support Assembly
Figure 8 (Sheet 14)

78-31-45

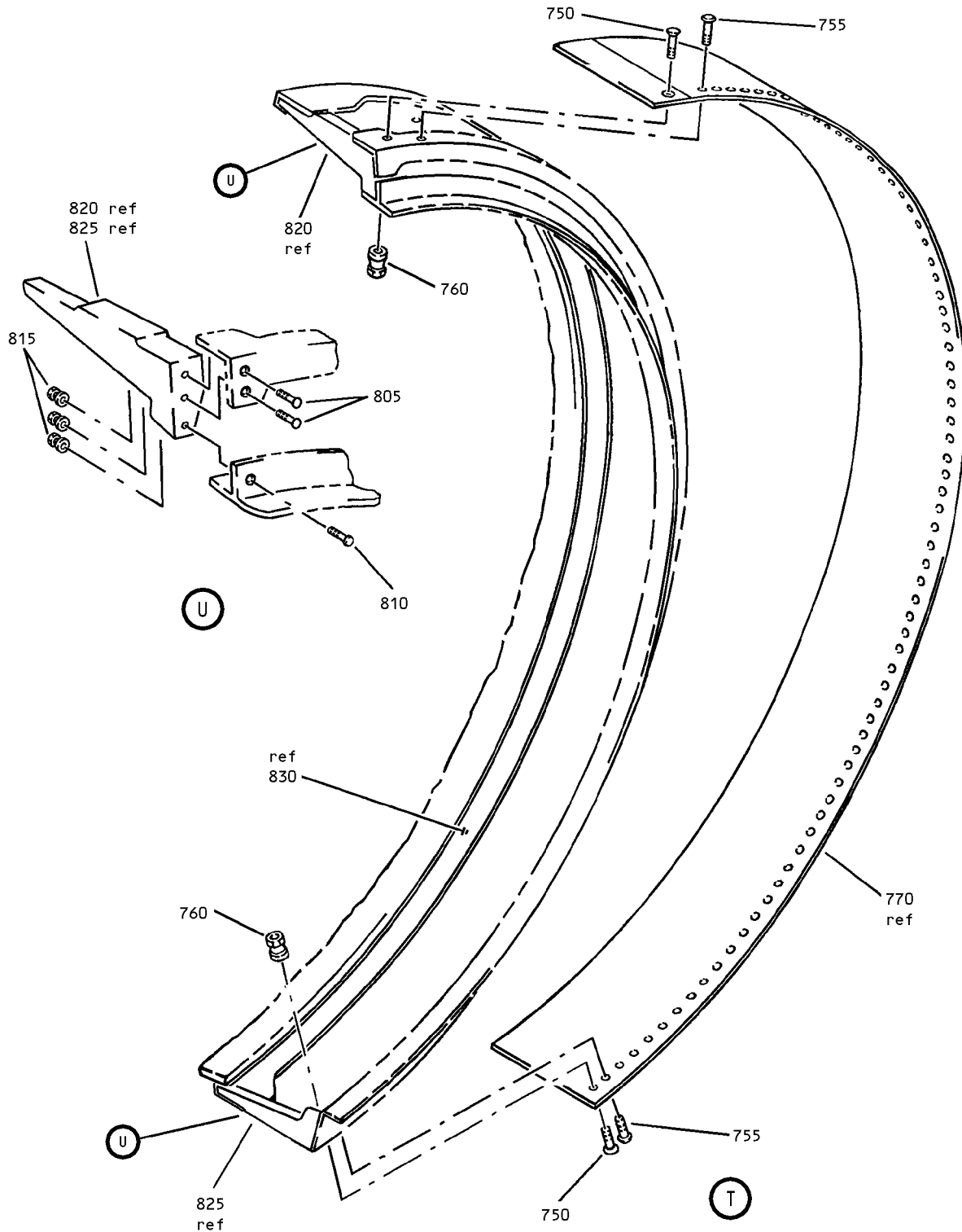
ILLUSTRATED PARTS LIST
01.1 Page 1098
Jul 01/05



Diaphragm Hinge Support Assembly
Figure 8 (Sheet 15)

78-31-45

ILLUSTRATED PARTS LIST
01.1 Page 1098A
Jul 01/05



Diaphragm Hinge Support Assembly
Figure 8 (Sheet 16)

78-31-45

ILLUSTRATED PARTS LIST
01.1 Page 1098B
Jul 01/05

BOEING
COMPONENT
MAINTENANCE MANUAL

FIG. & ITEM	PART NO.	AIRLINE PART NUMBER	NOMENCLATURE 1234567	EFF CODE	QTY PER ASSY
08-					
-1A	315T3501-35		DIAPHRAGM ASSY-HINGE SPRT	G,H	RF
-1B	315T3501-35		DIAPHRAGM ASSY-HINGE SPRT (NHA 315T4295, REF COLLECTOR CMM 78-31-47) (NHA 315U4295, REF COLLECTOR CMM 78-31-48)	AN,AQ	RF
-1C	315T3501-47		DIAPHRAGM ASSY-HINGE SPRT (NHA 315T4295, REF COLLECTOR CMM 78-31-47)	AN	RF
-1D	315T3501-49		DIAPHRAGM ASSY-HINGE SPRT (NHA 315T4295, REF COLLECTOR CMM 78-31-47)	AN	RF
-1E	315T3501-39		DIAPHRAGM ASSY-HINGE SPRT (NHA 315U4295, REF COLLECTOR CMM 78-31-48)	AQ	RF
-1F	315T3501-41		DIAPHRAGM ASSY-HINGE SPRT (NHA 315U4295, REF COLLECTOR CMM 78-31-48)	AQ	RF
-1G	315T3501-43		DIAPHRAGM ASSY-HINGE SPRT (NHA 315U4295, REF COLLECTOR CMM 78-31-48)	AQ	RF
-1H	315T3501-45		DIAPHRAGM ASSY-HINGE SPRT (NHA 315U4295, REF COLLECTOR CMM 78-31-48)	AQ	RF
-5	315T3501-36		DIAPHRAGM ASSY-HINGE SPRT	K,L	RF
-5A	315T3501-36		DIAPHRAGM ASSY-HINGE SPRT (NHA 315T4295, REF COLLECTOR CMM 78-31-47) (NHA 314U4295, REF COLLECTOR CMM 78-31-48)	AP,AR	RF
-5B	315T3501-48		DIAPHRAGM ASSY-HINGE SPRT (NHA 315T4295, REF COLLECTOR CMM 78-31-47)	AP	RF
-5C	315T3501-50		DIAPHRAGM ASSY-HINGE SPRT (NHA 315T4295, REF COLLECTOR CMM 78-31-47)	AP	RF
-5D	315T3501-40		DIAPHRAGM ASSY-HINGE SPRT (NHA 315U4295, REF COLLECTOR CMM 78-31-48)	AR	RF
-5E	315T3501-42		DIAPHRAGM ASSY-HINGE SPRT (NHA 315U4295, REF COLLECTOR CMM 78-31-48)	AR	RF
-5F	315T3501-44		DIAPHRAGM ASSY-HINGE SPRT (NHA 315U4295, REF COLLECTOR CMM 78-31-48)	AR	RF

78-31-45

ILLUSTRATED PARTS LIST
01.1 Page 1098C
Jul 01/05

FIG. & ITEM	PART NO.	AIRLINE PART NUMBER	NOMENCLATURE 1234567	EFF CODE	QTY PER ASSY
08-5G	315T3501-46		DIAPHRAGM ASSY-HINGE SPRT (NHA 315U4295, REF COLLECTOR CMM 78-31-48)	AR	RF
10	NAS1399D5-3		.RIVET	G,H,K L,A N-AR	6
15	315T3526-79		.FAIRING	G,H,A N,AQ	1
-20	315T3526-78		.FAIRING	K,L,A P,AR	1
25	NAS1399D5-3		.RIVET	G,H,K L,A N-AR	11
30	HL11VAZ5-4		.BOLT- (V60516) (SPEC BACB30NW5K4) (OPT B30NW5K4 (V97928)) (OPT HL11VAZ5-4 (V73197)) (OPT HL11VAZ5-4 (V92215)) (OPT HL11VAZ5-4 (V97928)) (OPT L803-5K4 (V06725)) (OPT HL11VAZ5-4 (V0PTK6)) (OPT HL11VAZ5-4 (V56878)) (OPT ITEM 40)	G,H,K L,A N-AR	4

78-31-45

 ILLUSTRATED PARTS LIST
 01.1 Page 1098D
 Jul 01/05

 **BOEING**
COMPONENT
MAINTENANCE MANUAL

FIG. & ITEM	PART NO.	AIRLINE PART NUMBER	NOMENCLATURE 1234567	EFF CODE	QTY PER ASSY
08-35	HL70-5		.COLLAR- (V5M902) (SPEC BACC30M5) (OPT HL70-5 (V73197)) (OPT HL70-5 (V92215)) (OPT 66014-5 (V56878)) (OPT HL70-5 (V56878)) (USED WITH ITEM 30)	G,H,K L,A N-AR	4
40	NAS1399D5-4		.RIVET- (OPT ITEM 30)	G,H,K L,A N-AR	4
45	315T3526-75		DELETED		
45A	315T3526-76		.FAIRING	G,H,K L,A N-AR	1
50	NAS1399D5		.RIVET- (SIZE DETERMINE ON INST)	G,H,K L,A N-AR	70
55	315T3526-65		.FAIRING	G,H,K L,A N-AR	5
60	BACS40R006B024F		.SHIM	G,H,K L,A N-AR	AR

78-31-45

ILLUSTRATED PARTS LIST
01.1 Page 1098E
Jul 01/05

FIG. & ITEM	PART NO.	AIRLINE PART NUMBER	NOMENCLATURE 1234567	EFF CODE	QTY PER ASSY
08-65	NAS1399D5		.RIVET- (SIZE DETERMINE ON INST)	G,H,K L,A N-AR	60
70	HL11VAZ5-4		.BOLT- (V60516) (SPEC BACB30NW5K4) (OPT B30NW5K4 (V97928)) (OPT HL11VAZ5-4 (V73197)) (OPT HL11VAZ5-4 (V92215)) (OPT HL11VAZ5-4 (V97928)) (OPT L803-5K4 (V06725)) (OPT HL11VAZ5-4 (V0PTK6)) (OPT HL11VAZ5-4 (V56878)) (OPT ITEM 80)	G,H,K L,A N-AR	16
75	HL70-5		.COLLAR- (V5M902) (SPEC BACC30M5) (OPT HL70-5 (V73197)) (OPT HL70-5 (V92215)) (OPT 66014-5 (V56878)) (OPT HL70-5 (V56878)) (USED WITH ITEM 70)	G,H,K L,A N-AR	16
80	NAS1399D5-4		.RIVET- (OPT ITEM 70)	G,H,K L,A N-AR	16
85	315T3526-66		.FAIRING	G,H,K L,A N-AR	4
90	BACS40R009B014F		.SHIM	G,H,K L,A N-AR	AR
95	NAS1399D5-3		.RIVET	G,H,K L,A N-AR	11

78-31-45

 ILLUSTRATED PARTS LIST
 01.1 Page 1098F
 Jul 01/05

 **BOEING**
COMPONENT
MAINTENANCE MANUAL

FIG. & ITEM	PART NO.	AIRLINE PART NUMBER	NOMENCLATURE 1234567	EFF CODE	QTY PER ASSY
08-100	HL11VAZ5-4		.BOLT- (V60516) (SPEC BACB30NW5K4) (OPT B30NW5K4 (V97928)) (OPT HL11VAZ5-4 (V73197)) (OPT HL11VAZ5-4 (V92215)) (OPT HL11VAZ5-4 (V97928)) (OPT L803-5K4 (V06725)) (OPT HL11VAZ5-4 (V0PTK6)) (OPT HL11VAZ5-4 (V56878)) (OPT ITEM 110)	G,H,K L,A N-AR	4
105	HL70-5		.COLLAR- (V5M902) (SPEC BACC30M5) (OPT HL70-5 (V73197)) (OPT HL70-5 (V92215)) (OPT 66014-5 (V56878)) (OPT HL70-5 (V56878)) (USED WITH ITEM 100)	G,H,K L,A N-AR	4
110	NAS1399D5-4		.RIVET- (OPT ITEM 100)	G,H,K L,A N-AR	4
115	315T3526-76		DELETED		
115A	315T3526-75		.FAIRING	G,H,K L,A N-AR	1
120	NAS1399D5-3		.RIVET	G,H,K L,A N-AR	6
125	315T3526-91		.FAIRING	G,H,A N,AQ	1

78-31-45

FIG. & ITEM	PART NO.	AIRLINE PART NUMBER	NOMENCLATURE 1234567	EFF CODE	QTY PER ASSY
08- -130	315T3526-92		.FAIRING	K,L,A P,AR	1
132	BACB30NN3K3		.BOLT	G,H,K L,A N-AR	10
135	BACB30NN3K17		.BOLT	G,H,K L,A N-AR	25
140	NAS1399D5-4		.RIVET	G,H,K L,A N-AR	3
145	NAS1399D5-3		.RIVET	G,H,K L,A N-AR	4
150	BACB30NN3K16		.BOLT	G,H,K L,A N-AR	9
155	BACB30NN3K17		.BOLT	G,H,K L,A N-AR	3
160	AN960-10L		.WASHER	G,H,K L,A N-AR	9
165	BRH10C3M		.NUT- (V52828) (SPEC BACN10JC3CM) (OPT T6C1032JM (V11815)) (OPT 97E02 (V80539)) (OPT 109LH9075-3W (V72962)) (OPT VN303D02 (V92215)) (OPT NS202101SE02 (V80539)) (OPT H01-3BAC (V15653))	G,H,K L,A N-AR	9

78-31-45

 ILLUSTRATED PARTS LIST
 01.1 Page 1098H
 Jul 01/05

FIG. & ITEM	PART NO.	AIRLINE PART NUMBER	NOMENCLATURE 1234567	EFF CODE	QTY PER ASSY
08-170	315T4534-3		. FAIRING	G,H,A N,AQ	1
-175	315T4534-4		. FAIRING	K,L,A P,AR	1
180	315T4534-2		. FAIRING	G,H,K ,L,A N-AR	5
185	BACS40R007C014F		. SHIM	G,H,K ,L,A N-AR	AR
190	BACS40R009C020F		. SHIM	G,H,K ,L,A N-AR	AR
195	NAS1399D5-3		. RIVET	G,H,K ,L,A N-AR	16
200	BACB30NN3K16		. BOLT	G,H,K ,L,A N-AR	32
205	BACB30NN3K17		. BOLT	G,H,K ,L,A N-AR	16
210	AN960-10L		. WASHER	G,H,K ,L,A N-AR	32
215	BRH10C3M		. NUT- (V52828) (SPEC BACN10JC3CM) (OPT T6C1032JM (V11815)) (OPT 97E02 (V80539)) (OPT 109LH9075-3W (V72962)) (OPT VN303D02 (V92215)) (OPT NS202101SE02 (V80539)) (OPT H01-3BAC (V15653))	G,H,K ,L,A N-AR	32

78-31-45

FIG. & ITEM	PART NO.	AIRLINE PART NUMBER	NOMENCLATURE 1234567	EFF CODE	QTY PER ASSY
08-220	315T4534-1		. FAIRING	G,H,K L,A N-AR	4
225	NAS1399D5-3		. RIVET	G,H,K L,A N-AR	1
230	NAS1399D5-2		. RIVET	G,H,K L,A N-AR	1
235	NAS1399D5-3		. RIVET	G,H,K L,A N-AR	4
240	BACB30NN3K16		. BOLT	G,H,K L,A N-AR	10
245	AN960-10L		. WASHER	G,H,K L,A N-AR	10
250	BRH10C3M		. NUT- (V52828) (SPEC BACN10JC3CM) (OPT T6C1032JM (V11815)) (OPT 97E02 (V80539)) (OPT 109LH9075-3W (V72962)) (OPT VN303D02 (V92215)) (OPT NS202101SE02 (V80539)) (OPT H01-3BAC (V15653))	G,H,K L,A N-AR	10

78-31-45

 ILLUSTRATED PARTS LIST
 01.1 Page 1098J
 Jul 01/05



BOEING
COMPONENT
MAINTENANCE MANUAL

FIG. & ITEM	PART NO.	AIRLINE PART NUMBER	NOMENCLATURE 1234567	EFF CODE	QTY PER ASSY
08-255	BACB30NN3K17		.BOLT	G,H,K L,A N-AR	10
260	315T4534-5		.FAIRING	G,H,A N,AQ	1
-265	315T4534-6		.FAIRING	K,L,A P,AR	1
270	BACB30NN3K16		.BOLT	G,H,K L,A N-AR	2
275	HL70-5		.COLLAR- (V5M902) (SPEC BACC30M5) (OPT HL70-5 (V73197)) (OPT HL70-5 (V92215)) (OPT 66014-5 (V56878)) (OPT HL70-5 (V56878))	G,H,K L,A N-AR	2
280	315T3526-87		.CLIP	G,H,A N,AQ	1
-285	315T3526-88		.CLIP	K,L,A P,AR	1
290	BACB30MY5K4		.BOLT	G,H,K L,A N-AR	2
295	HL70-5		.COLLAR- (V5M902) (SPEC BACC30M5) (OPT HL70-5 (V73197)) (OPT HL70-5 (V92215)) (OPT 66014-5 (V56878)) (OPT HL70-5 (V56878))	G,H,K L,A N-AR	2

78-31-45

ILLUSTRATED PARTS LIST
01.1 Page 1098K
Jul 01/05

FIG. & ITEM	PART NO.	AIRLINE PART NUMBER	NOMENCLATURE 1234567	EFF CODE	QTY PER ASSY
08-300	315T3526-17		.CLIP	G,H,K L,A N-AR	1
305	NAS1399D3A		.RIVET- (SIZE DETERMINE ON INST)	G,H,K L,A N-AR	2
310	315T3526-31		.CLIP	G,H,A N,AQ	1
-315	315T3526-32		.CLIP	K,L,A P,AR	1
320	NAS1399D3A		.RIVET- (SIZE DETERMINE ON INST)	G,H,K L,A N-AR	2
325	315T3526-83		.CLIP	G,H,A N,AQ	1
-330	315T3526-84		.CLIP	K,L,A P,AR	1
335	BACB30NM3K4		.BOLT	G,H,K L,A N-AR	12
340	AN960-10L		.WASHER	G,H,K L,A N-AR	12
345	BRH10C3M		.NUT- (V52828) (SPEC BACN10JC3CM) (OPT T6C1032JM (V11815)) (OPT 97E02 (V80539)) (OPT 109LH9075-3W (V72962)) (OPT VN303D02 (V92215)) (OPT NS202101SE02 (V80539)) (OPT H01-3BAC (V15653))	G,H,K L,A N-AR	12

78-31-45

 ILLUSTRATED PARTS LIST
 01.1 Page 1098L
 Jul 01/05

 **BOEING**
COMPONENT
MAINTENANCE MANUAL

FIG. & ITEM	PART NO.	AIRLINE PART NUMBER	NOMENCLATURE 1234567	EFF CODE	QTY PER ASSY
08-350	315T3526-81		.CLIP	G,H,K L,A N-AR	12
355	BACB30MY5K3		.BOLT	G,H,K L,A N-AR	24
360	HL70-5		.COLLAR- (V5M902) (SPEC BACC30M5) (OPT HL70-5 (V73197)) (OPT HL70-5 (V92215)) (OPT 66014-5 (V56878)) (OPT HL70-5 (V56878))	G,H,K L,A N-AR	24
365	315T3526-23		.CLIP	G,H,K L,A N-AR	6
370	315T3526-24		.CLIP	G,H,K L,A N-AR	6
375	BACR15FT5KE		.RIVET- (SIZE DETERMINE ON INST)	G,H,K L,A N-AR	12
380	BACR15CE5KE		.RIVET- (SIZE DETERMINE ON INST) (OPT ITEM 385)	G,H,K L,A N-AR	12
385	HST11AG5-5		.BOLT- (V06725) (SPEC BACB30VU5K5) (OPT HST11AG5-5 (V73197)) (OPT HST11AG5-5 (V0PTK6)) (OPT HST11AG5-5 (V56878)) (OPT ITEM 380)	G,H,K L,A N-AR	12

78-31-45

ILLUSTRATED PARTS LIST
01.1 Page 1098M
Jul 01/05

FIG. & ITEM	PART NO.	AIRLINE PART NUMBER	NOMENCLATURE 1234567	EFF CODE	QTY PER ASSY
08-390	HST79CY5		.COLLAR- (V73197) (SPEC BACC30BL5) (OPT HST79-5 (V92215)) (OPT HST79CY5 (V56878)) (OPT HST79CY5 (V5M902)) (USED WITH ITEM 385)	G,H,K L,A N-AR	12
395	HL11VAZ6-5		.BOLT- (V60516) (SPEC BACB30NW6K5) (OPT HL11V6-5 (V92215)) (OPT HL11V6-5 (V97928)) (OPT L803-6-5 (V06725)) (OPT B30NW6K5 (V97928)) (OPT HL11VAZ6-5 (V73197)) (OPT HL11VAZ6-5 (V92215)) (OPT HL11VAZ6-5 (V56878))	G,H,K L,A N-AR	12
400	BACB30MY6K5		.BOLT	G,H,K L,A N-AR	12
405	BACB30MY6K4		.BOLT	G,H,K L,A N-AR	9

78-31-45

ILLUSTRATED PARTS LIST
01.1 Page 1098N
Jul 01/05

 **BOEING**
COMPONENT
MAINTENANCE MANUAL

FIG. & ITEM	PART NO.	AIRLINE PART NUMBER	NOMENCLATURE 1234567	EFF CODE	QTY PER ASSY
08-410	BACB30MY6K3		.BOLT	G,H,K L,A N-AR	27
415	HL79-6		.COLLAR- (V5M902) (SPEC BACC30M6) (OPT HL79-6 (V73197)) (OPT HL79-6 (V92215)) (OPT 66014-6 (V56878)) (OPT HL79-6 (V56878))	G,H,K L,A N-AR	60
420	315T3526-21		.STIFFENER	G,H,K L,A N-AR	1
425	315T3526-16		.STIFFENER	G,H,K L,A N-AR	5
430	315T3526-15		.STIFFENER	G,H,K L,A N-AR	5
435	315T3526-22		.STIFFENER	G,H,K L,A N-AR	1
440	315T3158-4		.PRELOAD ASSY-BLOCKER DOOR	G,H,A N,AQ	2
-445	315T3158-3		.PRELOAD ASSY-BLOCKER DOOR	K,L,A P,AR	2
450	315T3158-1		.PRELOAD ASSY-BLOCKER DOOR	G,H,A N,AQ	5

78-31-45

ILLUSTRATED PARTS LIST
01.1 Page 10980
Jul 01/05

FIG. & ITEM	PART NO.	AIRLINE PART NUMBER	NOMENCLATURE 1234567	EFF CODE	QTY PER ASSY
08- -455	315T3158-2		.PRELOAD ASSY-BLOCKER DOOR	K,L,A P,AR	5
460	315T3158-2		.PRELOAD ASSY-BLOCKER DOOR	G,H,A N,AQ	4
-465	315T3158-1		.PRELOAD ASSY-BLOCKER DOOR	K,L,A P,AR	4
470	315T3158-4		DELETED		
470A	315T3158-3		.PRELOAD ASSY-BLOCKER DOOR	G,H,A N,AQ	1
-475	315T3158-3		DELETED		
-475A	315T3158-4		.PRELOAD ASSY-BLOCKER DOOR	K,L,A P,AR	1
			ATTACHING PARTS		
480	BACB30MY6K2		.BOLT	G,H,K L,A N-AR	18
485	BACB30MY6K3		.BOLT	G,H,K L,A N-AR	6
490	HL79-6		.COLLAR- (V5M902) (SPEC BACC30M6) (OPT HL79-6 (V73197)) (OPT HL79-6 (V92215)) (OPT 66014-6 (V56878)) (OPT HL79-6 (V56878)) -----*-----	G,H,K L,A N-AR	24
500	315T3158-9		..PAD	G,H,K L,A N-AR	1
505	315T3158-8		..BRACKET- (USED ON ITEM 440)	G,H,A N,AQ	1
-510	315T3158-7		..BRACKET- (USED ON ITEM 445)	K,L,A P,AR	1
515	315T3158-5		..BRACKET- (USED ON ITEM 450)	G,H,A N,AQ	1
-520	315T3158-6		..BRACKET- (USED ON ITEM 455)	K,L,A P,AR	1

78-31-45

 ILLUSTRATED PARTS LIST
 01.1 Page 1098P
 Jul 01/05



BOEING
COMPONENT
MAINTENANCE MANUAL

FIG. & ITEM	PART NO.	AIRLINE PART NUMBER	NOMENCLATURE 1234567	EFF CODE	QTY PER ASSY
08-525	315T3158-6		..BRACKET- (USED ON ITEM 460)	G,H,A N,AQ	1
-530	315T3158-5		..BRACKET- (USED ON ITEM 465)	K,L,A P,AR	1
535	315T3158-7		..BRACKET- (USED ON ITEM 470)	G,H,A N,AQ	1
-540	315T3158-8		..BRACKET- (USED ON ITEM 475)	K,L,A P,AR	1
545	BACB30MY6K2		.BOLT	G,H,K L,A N-AR	6
550	HL79-6		.COLLAR- (V5M902) (SPEC BACC30M6) (OPT HL79-6 (V73197)) (OPT HL79-6 (V92215)) (OPT 66014-6 (V56878)) (OPT HL79-6 (V56878))	G,H,K L,A N-AR	6
555	315T3526-25		.DOUBLER	G,H,K L,A N-AR	3
560	BACB30NN3K6		.BOLT	G,H,K L,A N-AR	12

78-31-45

ILLUSTRATED PARTS LIST
01.1 Page 1098Q
Jul 01/05

FIG. & ITEM	PART NO.	AIRLINE PART NUMBER	NOMENCLATURE 1234567	EFF CODE	QTY PER ASSY
08-565	AN960-10L		.WASHER	G,H,K L,A N-AR	12
570	BRH10C3M		.NUT- (V52828) (SPEC BACN10JC3CM) (OPT T6C1032JM (V11815)) (OPT 97E02 (V80539)) (OPT 109LH9075-3W (V72962)) (OPT VN303D02 (V92215)) (OPT NS202101SE02 (V80539)) (OPT H01-3BAC (V15653))	G,H,K L,A N-AR	12
575	BACB30MY6K4		.BOLT	G,H,K L,A N-AR	36
580	L8006K6		.BOLT- (V06725) (SPEC BACB30MY6K6) (OPT L800-6-6 (V97928))	G,H,K L,A N-AR	12
585	HL79-6		.COLLAR- (V5M902) (SPEC BACC30M6) (OPT HL79-6 (V73197)) (OPT HL79-6 (V92215)) (OPT 66014-6 (V56878)) (OPT HL79-6 (V56878))	G,H,K L,A N-AR	48

78-31-45

 ILLUSTRATED PARTS LIST
 01.1 Page 1098R
 Jul 01/05

 **BOEING**
COMPONENT
MAINTENANCE MANUAL

FIG. & ITEM	PART NO.	AIRLINE PART NUMBER	NOMENCLATURE 1234567	EFF CODE	QTY PER ASSY
08-590	315T3526-86		. INTERCOSTAL	G,H,K L,A N-AR	6
595	315T3526-85		. INTERCOSTAL	G,H,K L,A N-AR	6
600	BACR15FT5KE		. RIVET- (SIZE DETERMINE ON INST)	G,H,K L,A N-AR	30
605	315T3526-5		. CLIP	G,H,K L,A N-AR	5
610	315T3526-6		. CLIP	G,H,K L,A N-AR	5
615	HL13VAZ6-5		. BOLT- (V56878) (SPEC BACB30NY6K5) (OPT HL13VAZ6-5 (V73197)) (OPT HL13VAZ6-5 (V92215)) (OPT HL13VAZ6-5 (V97928)) (OPT L801-6K5 (V06725)) (OPT HL13VAZ6-5 (V08524)) (OPT HL13V5 (V06725)) (OPT HL13VAZ6-5 (V17446))	G,H,K L,A N-AR	10

78-31-45

ILLUSTRATED PARTS LIST
01.1 Page 1098S
Jul 01/05

FIG. & ITEM	PART NO.	AIRLINE PART NUMBER	NOMENCLATURE 1234567	EFF CODE	QTY PER ASSY
08-620	HL11VAZ6-5		.BOLT- (V60516) (SPEC BACB30NW6K5) (OPT HL11V6-5 (V92215)) (OPT HL11V6-5 (V97928)) (OPT L803-6-5 (V06725)) (OPT B30NW6K5 (V97928)) (OPT HL11VAZ6-5 (V73197)) (OPT HL11VAZ6-5 (V92215)) (OPT HL11VAZ6-5 (V56878))	G,H,K L,A N-AR	10
625	HL79-6		.COLLAR- (V5M902) (SPEC BACC30M6) (OPT HL79-6 (V73197)) (OPT HL79-6 (V92215)) (OPT 66014-6 (V56878)) (OPT HL79-6 (V56878))	G,H,K L,A N-AR	20
630	BACR15FT5KE		.RIVET- (SIZE DETERMINE ON INST)	G,H,K L,A N-AR	10
635	BACR15FT5KE		DELETED		
635A	BACR15CE5KE		.RIVET- (SIZE DETERMINE ON INST) (OPT ITEM 640)	G,H,K L,A N-AR	10
640	HST11AG5-5		.BOLT- (V06725) (SPEC BACB30VU5K5) (OPT HST11AG5-5 (V73197)) (OPT HST11AG5-5 (V0PTK6)) (OPT HST11AG5-5 (V56878)) (OPT ITEM 640A)	G,H,K L,A N-AR	10

78-31-45

 ILLUSTRATED PARTS LIST
 01.1 Page 1098T
 Jul 01/05

 **BOEING**
COMPONENT
MAINTENANCE MANUAL

FIG. & ITEM	PART NO.	AIRLINE PART NUMBER	NOMENCLATURE 1234567	EFF CODE	QTY PER ASSY
08-645	HST79CY5		.COLLAR- (V73197) (SPEC BACC30BL5) (OPT HST79-5 (V92215)) (OPT HST79CY5 (V56878)) (OPT HST79CY5 (V5M902)) (USED WITH ITEM 640)	G,H,K ,L,A N-AR	10
650	BACR15FT6KE		.RIVET- (SIZE DETERMINE ON INST)	G,H,K ,L,A N-AR	30
655	315T3526-89		.BRACKET	G,H,K ,L,A N-AR	5
660	315T3526-90		.BRACKET	G,H,K ,L,A N-AR	5
665	BACB30MY6K4		.BOLT	G,H,K ,L,A N-AR	30
670	L8006K6		.BOLT- (V06725) (SPEC BACB30MY6K6) (OPT L800-6-6 (V97928))	G,H,K ,L,A N-AR	10
675	BACB30MY6K5		.BOLT	G,H,K ,L,A N-AR	10
680	HL79-6		.COLLAR- (V5M902) (SPEC BACC30M6) (OPT HL79-6 (V73197)) (OPT HL79-6 (V92215)) (OPT 66014-6 (V56878)) (OPT HL79-6 (V56878))	G,H,K ,L,A N-AR	50
685	BACB30NN3K4		.BOLT	G,H,K ,L,A N-AR	30

78-31-45

ILLUSTRATED PARTS LIST
01.1 Page 1098U
Jul 01/05

FIG. & ITEM	PART NO.	AIRLINE PART NUMBER	NOMENCLATURE 1234567	EFF CODE	QTY PER ASSY
08-690	BACR15BA3AD		.RIVET- (SIZE DETERMINE ON INST)	G,H,K L,A N-AR	180
695	BRF200C3M		.NUTPLATE- (V52828) (SPEC BACN10JR3CFM) (OPT F5001-3BAC (V15653)) (OPT NS103203SE02 (V80539)) (OPT VN152D1-02 (V92215)) (OPT 109F9201-3 (V72962)) (OPT T8092C1032 (V11815))	G,H,K L,A N-AR	45
700	BRF100C3M		.NUTPLATE- (V52828) (SPEC BACN10KB3CFM) (OPT NS103185SE02 (V80539)) (OPT T8113C1032C (V11815)) (OPT VN151D1-02 (V92215)) (OPT 109F9207-3 (V72962)) (OPT F2001-3 (V15653))	G,H,K L,A N-AR	45
705	BACB30NN3K6		.BOLT	G,H,K L,A N-AR	10
710	AN960-10L		.WASHER	G,H,K L,A N-AR	10

78-31-45

 ILLUSTRATED PARTS LIST
 01.1 Page 1098V
 Jul 01/05



BOEING
COMPONENT
MAINTENANCE MANUAL

FIG. & ITEM	PART NO.	AIRLINE PART NUMBER	NOMENCLATURE 1234567	EFF CODE	QTY PER ASSY
08-715	BRH10C3M		.NUT- (V52828) (SPEC BACN10JC3CM) (OPT T6C1032JM (V11815)) (OPT 97E02 (V80539)) (OPT 109LH9075-3W (V72962)) (OPT VN303D02 (V92215)) (OPT NS202101SE02 (V80539)) (OPT H01-3BAC (V15653))	G,H,K ,L,A N-AR	75
720	315T3527-1		.PAN	G,H,K ,L,A N-AR	5
725	BACS40R09C09F		.SHIM	G,H,K ,L,A N-AR	10
730	BACB30NN3K4		.BOLT	G,H,K ,L,A N-AR	6
735	BACB30NN3K5		.BOLT	G,H,K ,L,A N-AR	40
740	AN960-10L		.WASHER	G,H,K ,L,A N-AR	46
745	BRH10C3M		.NUT- (V52828) (SPEC BACN10JC3CM) (OPT T6C1032JM (V11815)) (OPT 97E02 (V80539)) (OPT 109LH9075-3W (V72962)) (OPT VN303D02 (V92215)) (OPT NS202101SE02 (V80539)) (OPT H01-3BAC (V15653))	G,H,K ,L,A N-AR	46

78-31-45

ILLUSTRATED PARTS LIST
01.1 Page 1098W
Jul 01/05

FIG. & ITEM	PART NO.	AIRLINE PART NUMBER	NOMENCLATURE 1234567	EFF CODE	QTY PER ASSY
08-750	HL523AZ6-6		.BOLT- (V56878) (SPEC BACB30NZ6K6) (OPT L804-6K6 (V06725)) (OPT HL523AZ6-6 (V92215)) (OPT HL523AZ6-6 (V73197)) (OPT HL523AZ6-6 (V97928)) (OPT HL523AZ6-6 (V0PTK6)) (OPT HL523AZ6-6 (V06725)) (OPT HL523AZ6-6 (V60516))	G,H,K ,L,A N-AR	2
755	BACB30MY6K5		.BOLT	G,H,K ,L,A N-AR	75
760	HL79-6		.COLLAR- (V5M902) (SPEC BACC30M6) (OPT HL79-6 (V73197)) (OPT HL79-6 (V92215)) (OPT 66014-6 (V56878)) (OPT HL79-6 (V56878))	G,H,K ,L,A N-AR	78

78-31-45

 ILLUSTRATED PARTS LIST
 01.1 Page 1098X
 Jul 01/05



BOEING
COMPONENT
MAINTENANCE MANUAL

FIG. & ITEM	PART NO.	AIRLINE PART NUMBER	NOMENCLATURE 1234567	EFF CODE	QTY PER ASSY
08-765	BACR15BA4D		.RIVET- (SIZE DETERMINE ON INST)	G,H,K ,L,A N-AR	4
770	315T3523-41		.BOND ASSY	G,H,A N,AQ	1
-775	315T3523-42		.BOND ASSY	K,L,A P,AR	1
780	HL19PB5-4		..BOLT- (V60516) (SPEC BACB30FN5-4) (OPT HL19PB5-4 (V73197)) (OPT HL19PB5-4 (V92215)) (OPT HL19PB5-4 (V97928)) (OPT 62547-5-4 (V56878)) (OPT HL19PB5-4 (V80539)) (OPT HL19PB5-4 (V08524)) (OPT HL19-5-4 (V06725)) (OPT L839-5-4 (V06725)) (OPT HL19PB5-4 (V56878))	G,H,K ,L,A N-AR	16
785	HL70-5		..COLLAR- (V5M902) (SPEC BACC30M5) (OPT HL70-5 (V73197)) (OPT HL70-5 (V92215)) (OPT 66014-5 (V56878)) (OPT HL70-5 (V56878))	G,H,K ,L,A N-AR	16

78-31-45

ILLUSTRATED PARTS LIST
01.1 Page 1098Y
Jul 01/05

FIG. & ITEM	PART NO.	AIRLINE PART NUMBER	NOMENCLATURE 1234567	EFF CODE	QTY PER ASSY
08-790	315T3523-45		.. DOUBLER	G,H,K L,A N-AR	1
795	315T3523-46		.. DOUBLER	G,H,K L,A N-AR	1
800	315T3523-47		.. DOUBLER	G,H,K L,A N-AR	1
805	HL11VAZ6-5		.BOLT- (V60516) (SPEC BACB30NW6K5) (OPT HL11V6-5 (V92215)) (OPT HL11V6-5 (V97928)) (OPT L803-6-5 (V06725)) (OPT B30NW6K5 (V97928)) (OPT HL11VAZ6-5 (V73197)) (OPT HL11VAZ6-5 (V92215)) (OPT HL11VAZ6-5 (V56878))	G,H,K L,A N-AR	4
810	BACB30MY6K5		.BOLT	G,H,K L,A N-AR	2
815	HL79-6		.COLLAR- (V5M902) (SPEC BACC30M6) (OPT HL79-6 (V73197)) (OPT HL79-6 (V92215)) (OPT 66014-6 (V56878)) (OPT HL79-6 (V56878))	G,H,K L,A N-AR	6

78-31-45

 ILLUSTRATED PARTS LIST
 01.1 Page 1098Z
 Jul 01/05

 **BOEING**
COMPONENT
MAINTENANCE MANUAL

FIG. & ITEM	PART NO.	AIRLINE PART NUMBER	NOMENCLATURE 1234567	EFF CODE	QTY PER ASSY
08-820	315T3525-1		.FITTING	G,H,K ,L,A N-AR	1
825	315T3525-2		.FITTING	G,H,K ,L,A N-AR	1
830	315T3524-8		.RING	G,H,A N,AQ	1
-835	315T3524-7		.RING	K,L,A P,AR	1
840	BACR15BA3AD		.RIVET- (SIZE DETERMINE ON INST)	G,H,K ,L,A N-AR	24
845	BRF100C3M		.NUTPLATE- (V52828) (SPEC BACN10KB3CFM) (OPT NS103185SE02 (V80539)) (OPT T8113C1032C (V11815)) (OPT VN151D1-02 (V92215)) (OPT 109F9207-3 (V72962)) (OPT F2001-3 (V15653))	G,H,K ,L,A N-AR	12
850	315T3522-56		.FITTING ASSY-HINGE	G,H,K ,L,A N-AR	1
855	315T3522-54		.FITTING ASSY-HINGE	G,H,K ,L,A N-AR	5
860	BACB30NM3K8		ATTACHING PARTS .BOLT- (SELECT FROM)	G,H,K ,L,A N-AR	12
-860A	BACB30NM3K7		.BOLT- (SELECT FROM)	G,H,K ,L,A N-AR	12

78-31-45

ILLUSTRATED PARTS LIST
01.1 Page 1099
Jul 01/05

FIG. & ITEM	PART NO.	AIRLINE PART NUMBER	NOMENCLATURE 1234567	EFF CODE	QTY PER ASSY
08-865	HL13VAZ6-6		.BOLT- (V56878) (SPEC BACB30NY6K6) (OPT HL13VAZ6-6 (V73197)) (OPT HL13VAZ6-6 (V92215)) (OPT HL13VAZ6-6 (V97928)) (OPT L801-6K6 (V06725)) (OPT HL13VAZ6-6 (V08524)) (OPT HL13V6 (V06725)) (OPT HL13VAZ6-6 (V60516))	G,H,K ,L,A N-AR	6
870	AN960-10L		.WASHER	G,H,K ,L,A N-AR	12
875	HL1187DUW6		.COLLAR- (V5M902) (SPEC BACC30X6SW) (OPT HL87DUW6 (V92215)) (OPT HL87DUW6 (V73197)) (OPT HL1187DUW6 (V56878)) (OPT HL1187DUW6 (V92215)) (OPT HL87DUW6 (V56878)) (OPT HL1187DUW6 (V73197)) -----*	G,H,K ,L,A N-AR	6
880	KJB229504B		..BUSHING- (V50632)	G,H,K ,L,A N-AR	1
885	BACB28AP06P016		..BUSHING	G,H,K ,L,A N-AR	1

78-31-45

 ILLUSTRATED PARTS LIST
 01.1 Page 1100
 Jul 01/05

 **BOEING**
COMPONENT
MAINTENANCE MANUAL

FIG. & ITEM	PART NO.	AIRLINE PART NUMBER	NOMENCLATURE 1234567	EFF CODE	QTY PER ASSY
08-890	BACB28AP04P016		..BUSHING	G,H,K ,L,A N-AR	1
895	315T3522-60		..FITTING- (USED ON ITEM 850)	G,H,K ,L,A N-AR	1
900	315T3522-58		..FITTING- (USED ON ITEM 855)	G,H,K ,L,A N-AR	1
905	315T3522-53		.FITTING ASSY-HINGE	G,H,K ,L,A N-AR	5
910	315T3522-55		.FITTING ASSY-HINGE	G,H,K ,L,A N-AR	1
915	BACB30NM3K8		ATTACHING PARTS .BOLT- (SELECT FROM)	G,H,K ,L,A N-AR	12
-915A	BACB30NM3K7		.BOLT- (SELECT FROM)	G,H,K ,L,A N-AR	12
920	HL13VAZ6-6		.BOLT- (V56878) (SPEC BACB30NY6K6) (OPT HL13VAZ6-6 (V73197)) (OPT HL13VAZ6-6 (V92215)) (OPT HL13VAZ6-6 (V97928)) (OPT L801-6K6 (V06725)) (OPT HL13VAZ6-6 (V08524)) (OPT HL13V6 (V06725)) (OPT HL13VAZ6-6 (V60516))	G,H,K ,L,A N-AR	6

78-31-45

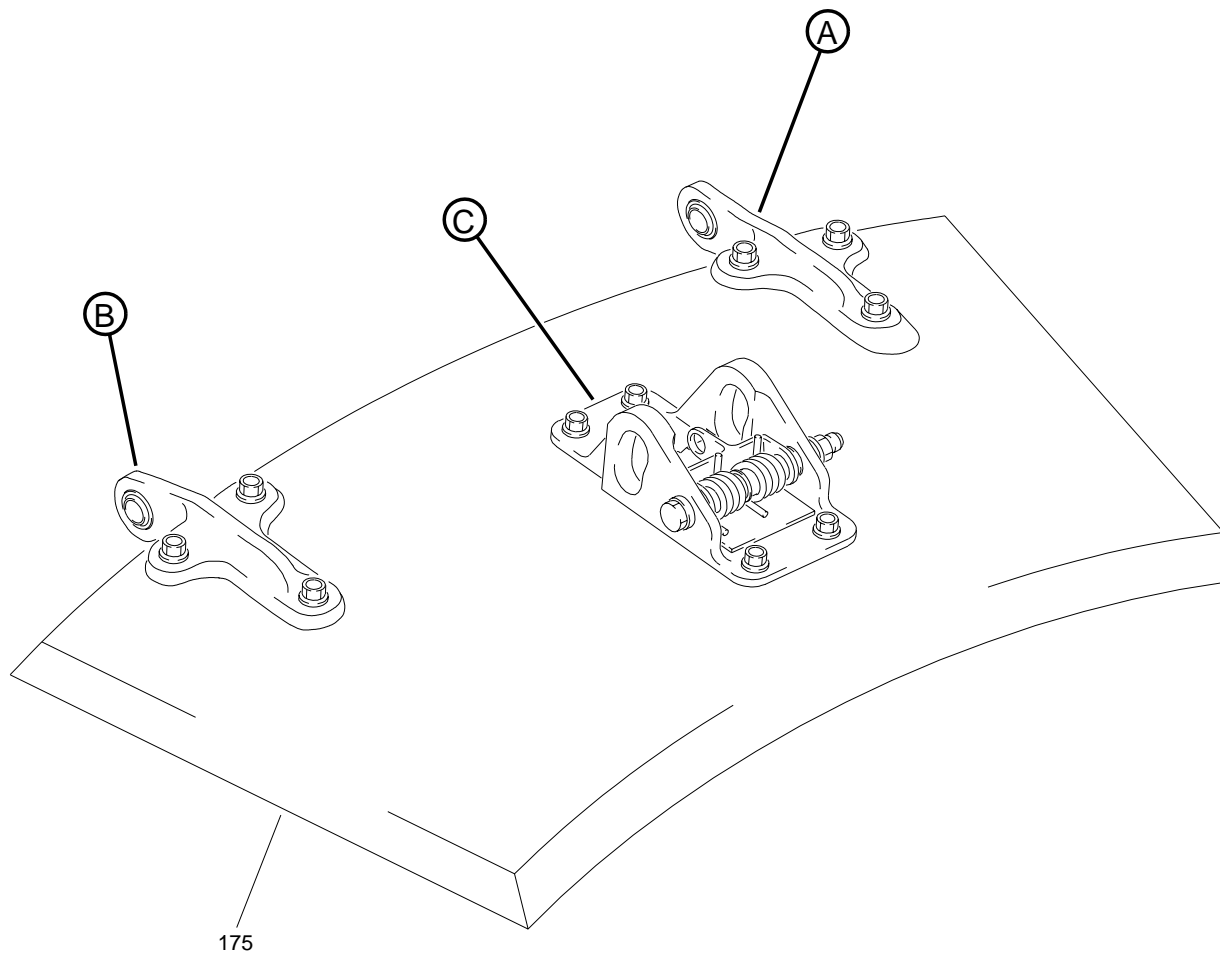
ILLUSTRATED PARTS LIST
01.1 Page 1100A
Jul 01/05

FIG. & ITEM	PART NO.	AIRLINE PART NUMBER	NOMENCLATURE 1234567	EFF CODE	QTY PER ASSY
08-925	AN960-10L		.WASHER	G,H,K L,A N-AR	12
930	HL1187DUW6		.COLLAR- (V5M902) (SPEC BACC30X6SW) (OPT HL87DUW6 (V92215)) (OPT HL87DUW6 (V73197)) (OPT HL1187DUW6 (V56878)) (OPT HL1187DUW6 (V92215)) (OPT HL87DUW6 (V56878)) (OPT HL1187DUW6 (V73197)) -----*-----	G,H,K L,A N-AR	6
935	KJB229504B		..BUSHING- (V50632)	G,H,K L,A N-AR	2
940	BACB28AP06P016		..BUSHING	G,H,K L,A N-AR	2
945	315T3522-57		..FITTING- (USED ON ITEM 905)	G,H,K L,A N-AR	1
950	315T3522-59		..FITTING- (USED ON ITEM 910)	G,H,K L,A N-AR	1

- Item Not Illustrated

78-31-45

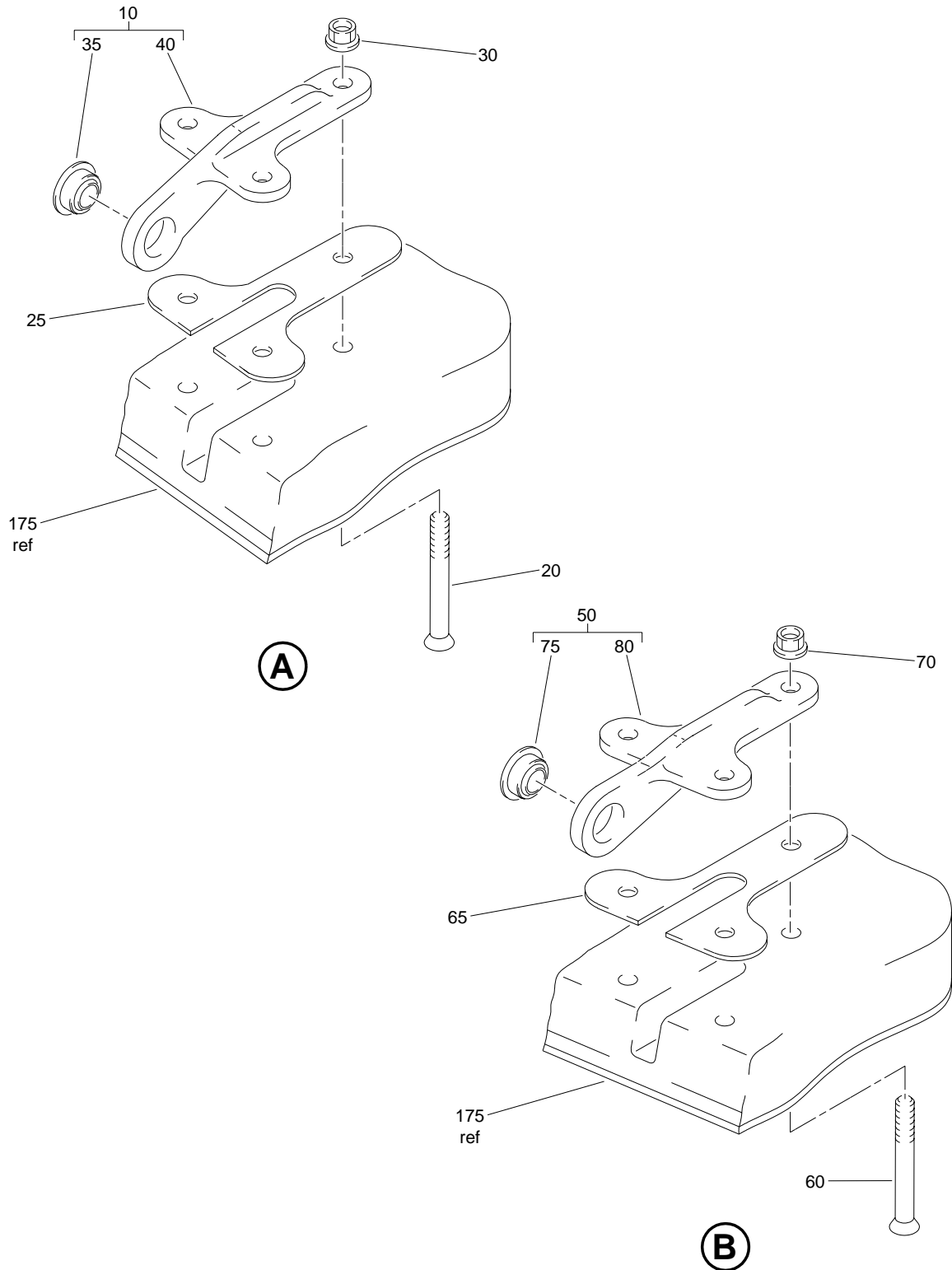
 ILLUSTRATED PARTS LIST
 01.1 Page 1100B
 Jul 01/05



Upper Blocker Door Assembly
Figure 9 (Sheet 1)

78-31-45

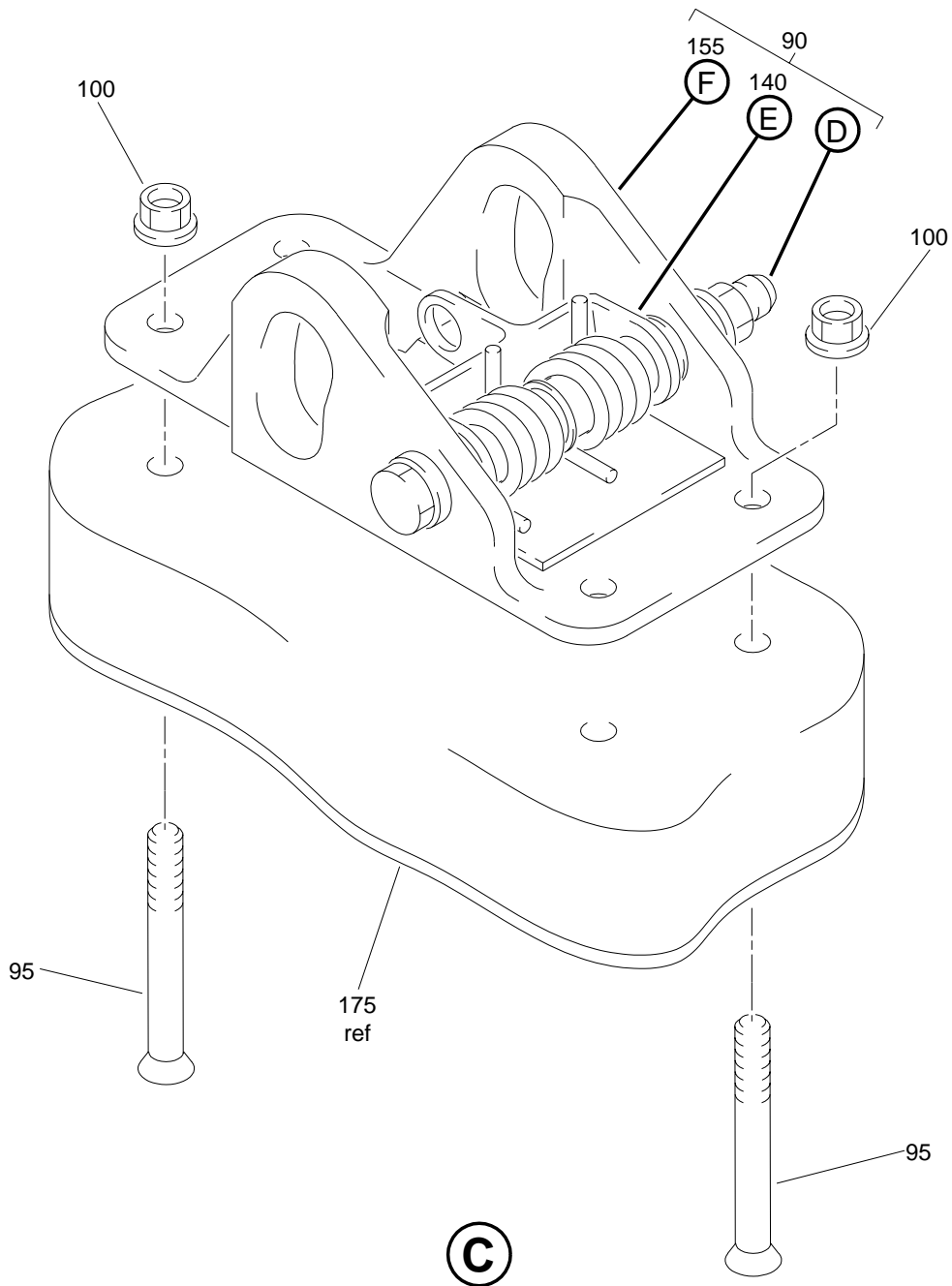
ILLUSTRATED PARTS LIST
01.1 Page 1100D
Jul 01/05



Upper Blocker Door Assembly
Figure 9 (Sheet 2)

78-31-45

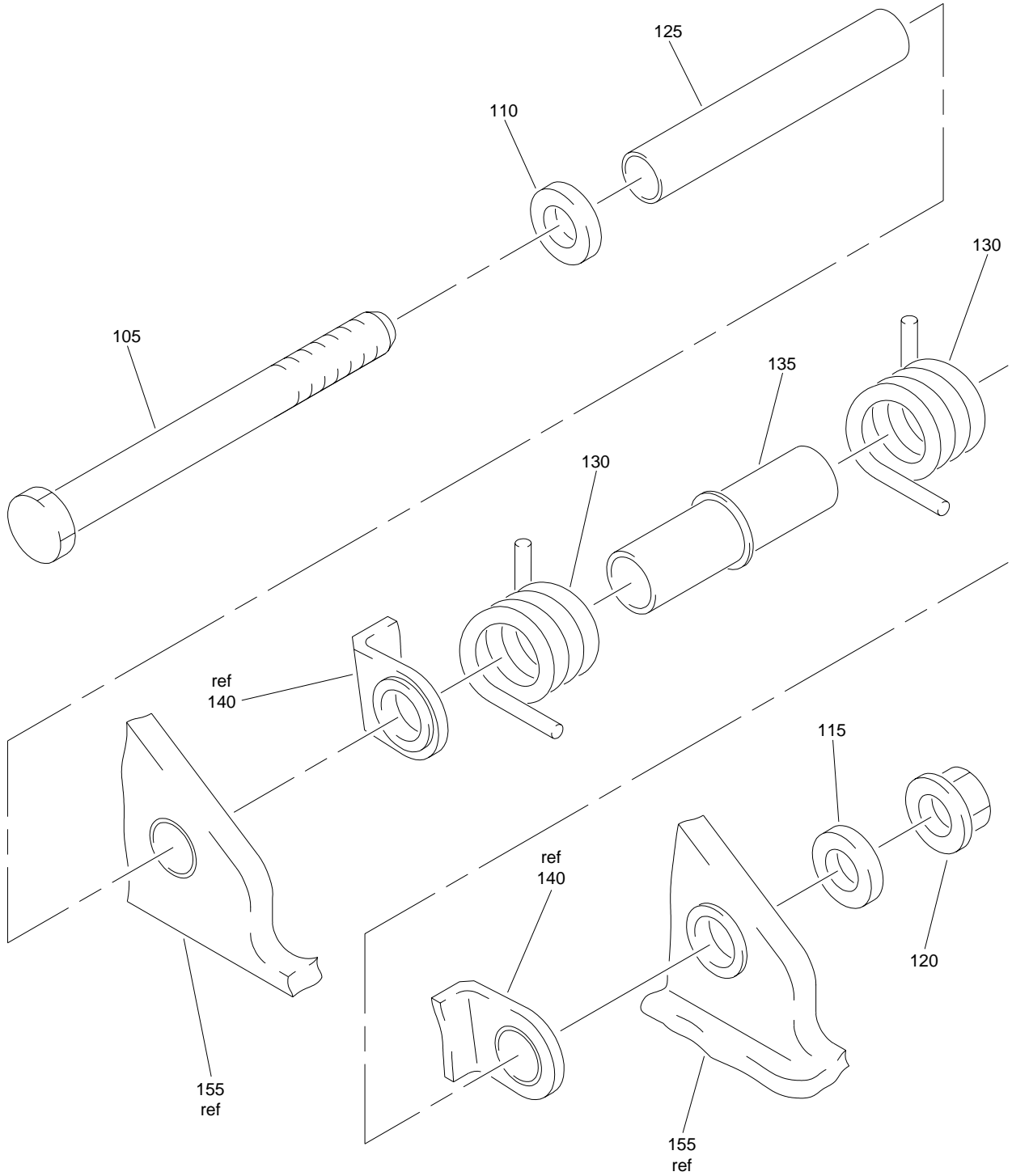
ILLUSTRATED PARTS LIST
01.1 Page 1100E
Jul 01/05



Upper Blocker Door Assembly
Figure 9 (Sheet 3)

78-31-45

ILLUSTRATED PARTS LIST
01.1 Page 1100F
Jul 01/05

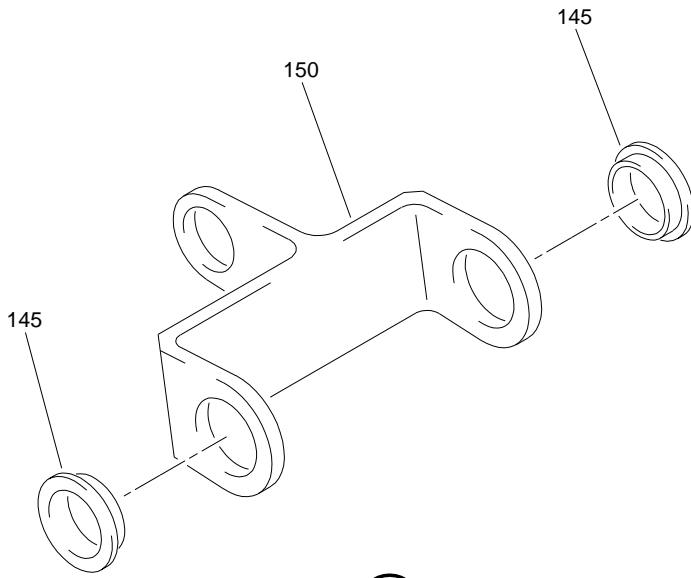


D

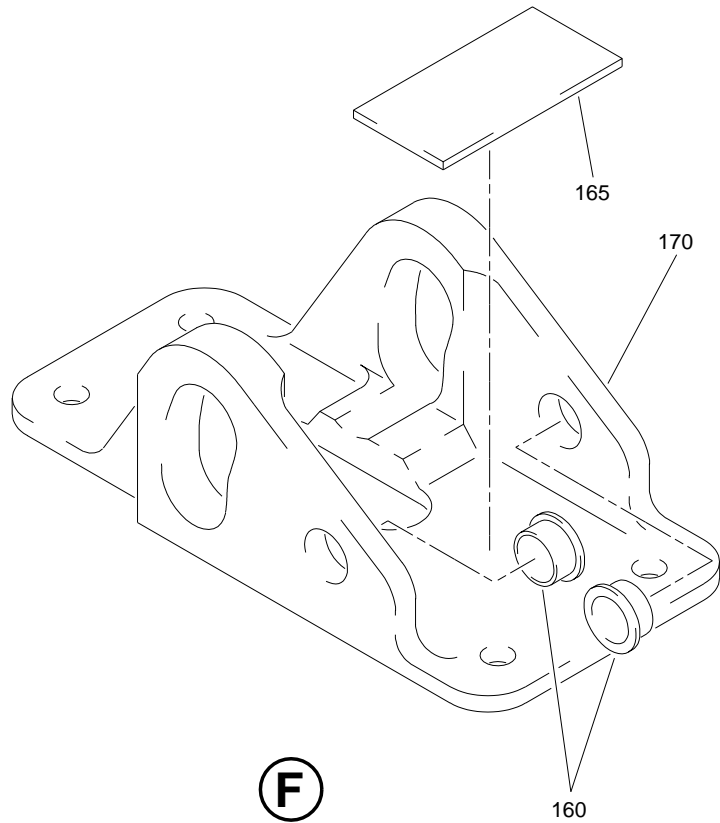
Upper Blocker Door Assembly
Figure 9 (Sheet 4)

78-31-45

ILLUSTRATED PARTS LIST
01.1 Page 1100G
Jul 01/05



E



F

Upper Blocker Door Assembly
Figure 9 (Sheet 5)

78-31-45

ILLUSTRATED PARTS LIST
01.1 Page 1100H
Jul 01/05

 **BOEING**
COMPONENT
MAINTENANCE MANUAL

FIG. & ITEM	PART NO.	AIRLINE PART NUMBER	NOMENCLATURE 1234567	EFF CODE	QTY PER ASSY
09- -1A	315T4508-1		DOOR ASSY-BLOCKER, UPR	AS-AX ,BL,B P,BS, BV,B Y-CA CD-CF	RF
-1B	315T4508-3		DOOR ASSY-BLOCKER, UPR	BM,BN ,BQ,B R,BT, BU,BW ,BX CB,CC ,CG,C H	RF
-1C -5	315T4508-5 315T4508-2		DOOR ASSY-BLOCKER, UPR DOOR ASSY-BLOCKER, UPR	DG-DM AY-BD ,CJ,C M,CQ, CT,C W-CY DB-DD	RF RF
-5A	315T4508-4		DOOR ASSY-BLOCKER, UPR	CK,CL ,CN,C P,CR, CS,CU ,CV CZ,DA ,DE,D F	RF
-5B	315T4508-6		DOOR ASSY-BLOCKER, UPR	DN-DT	RF

78-31-45

ILLUSTRATED PARTS LIST
01.1 Page 1100I
Jul 01/05

FIG. & ITEM	PART NO.	AIRLINE PART NUMBER	NOMENCLATURE 1234567	EFF CODE	QTY PER ASSY
09-10	315T4518-3		.FITTING ASSY-HINGE	AS-AX ,BL-C H,D G-DM	1
-15	315T4518-4		.FITTING ASSY-HINGE	AY-BD ,CJ-D F,D N-DT	1
20	HL13VAZ6-18		ATTACHING PARTS .BOLT- (V56878) (SPEC BACB30NY6K18) (OPT HL13VAZ6-18 (V73197)) (OPT HL13VAZ6-18 (V92215)) (OPT HL13VAZ6-18 (V97928)) (OPT L801-6K18 (V06725)) (OPT HL13VAZ6-18 (V60516)) (OPT L801-6K18 (VOPTK6)) (OPT HL13VAZ6-18 (V17446))	AS-BD ,BL-D T	3
25	315W1115-46		.SHIM	AS-BD ,BL-D T	AR
30	BACN10ZZ3D		.NUT -----*	AS-BD ,BL-D T	3

78-31-45

 ILLUSTRATED PARTS LIST
 01.1 Page 1100J
 Jul 01/05

BOEING
COMPONENT
MAINTENANCE MANUAL

FIG. & ITEM	PART NO.	AIRLINE PART NUMBER	NOMENCLATURE 1234567	EFF CODE	QTY PER ASSY
09-35	P21620		..BEARING ASSY- (V57606) (SPEC S302T001-301)	AS-BD ,BL-D T	1
40	315T4518-7		..FITTING	AS-AX ,BL-C H,D G-DM	1
-45	315T4518-8		..FITTING	AY-BD ,CJ-D F,D N-DT	1
50	315T4518-2		.FITTING ASSY-HINGE	AS-AX ,BL-C H,D G-DM	1
-55	315T4518-1		.FITTING ASSY-HINGE	AY-BD ,CJ-D F,D N-DT	1
60	HL13VAZ6-18		ATTACHING PARTS .BOLT- (V56878) (SPEC BACB30NY6K18) (OPT HL13VAZ6-18 (V73197)) (OPT HL13VAZ6-18 (V92215)) (OPT HL13VAZ6-18 (V97928)) (OPT L801-6K18 (V06725)) (OPT HL13VAZ6-18 (V60516)) (OPT L801-6K18 (V0PTK6)) (OPT HL13VAZ6-18 (V17446))	AS-BD ,BL-D T	3
65	315W1115-46		.SHIM	AS-BD ,BL-D T	AR
70	BACN10ZZ3D		.NUT	AS-BD ,BL-D T	3
			-----*-----		

78-31-45

ILLUSTRATED PARTS LIST
01.1 Page 1100K
Jul 01/05

FIG. & ITEM	PART NO.	AIRLINE PART NUMBER	NOMENCLATURE 1234567	EFF CODE	QTY PER ASSY
09-75	P21620		..BEARING ASSY- (V57606) (SPEC S302T001-301)	AS-BD ,BL-D T	1
80	315T4518-6		..FITTING	AS-AX ,BL-C H,D G-DM	1
-85	315T4518-5		..FITTING	AY-BD ,CJ-D F,D N-DT	1
90	315T4521-1		.FITTING ASSY-DRAG LINK ATTACH	AS-BD ,BL,B P,BS, BV,B Y-CA CD-CF ,CJ,C M,CQ, CT,C W-CY DB-DD	1
-90A	315T4521-2		.FITTING ASSY-DRAG LINK ATTACH	BM,BN ,BQ,B R,BT, BU,BW ,BX CB,CC ,CG,C H,CK, CL,CN ,CP CR,CS ,CU,C V,CZ, DA,DE ,DF DG-DT	1
-90B	315T4521-3		.LINK ASSY-DRAG LINK ATTACH ATTACHING PARTS		1

78-31-45

 ILLUSTRATED PARTS LIST
 01.1 Page 1100L
 Jul 01/05

BOEING
COMPONENT
MAINTENANCE MANUAL

FIG. & ITEM	PART NO.	AIRLINE PART NUMBER	NOMENCLATURE 1234567	EFF CODE	QTY PER ASSY
09-95	HL13VAZ6-17		.BOLT- (V56878) (SPEC BACB30NY6K17) (OPT HL13VAZ6-17 (V73197)) (OPT HL13VAZ6-17 (V92215)) (OPT HL13VAZ6-17 (V97928)) (OPT L801-6K17 (V06725)) (OPT HL13VAZ6-17 (V60516)) (OPT L801-6K17 (V0PTK6)) (OPT HL13VAZ6-17 (V17446))	AS-BD ,BL-D T	4
100	BACN10ZZ3D		.NUT -----*	AS-BD ,BL-D T	4
105	BACB30LM4U47		..BOLT	AS-BD ,BL-D T	1
110	BACW10BP4ACU		..WASHER	AS-BD ,BL-D T	1
112	NAS1149E0632R		..WASHER	DG-DT	1
115	NAS1149E0432R		..WASHER	AS-BD ,BL-D T	1
120	H52732-4CM		..NUT- (V15653) (SPEC BACN10YR4CM) (OPT PLH54CM (V62554))	AS-BD ,BL-D T	1

78-31-45

ILLUSTRATED PARTS LIST
01.1 Page 1100M
Jul 01/05

FIG. & ITEM	PART NO.	AIRLINE PART NUMBER	NOMENCLATURE 1234567	EFF CODE	QTY PER ASSY
09-125	BACB28AK04-280		..BUSHING	AS-BD ,BL-D T	1
130	315T4516-1		..SPRING	AS-BD ,BL-D T	2
135	315T4517-1		..SPACER	AS-BD ,BL-D T	1
140	315T4514-1		..LINK ASSY-PIVOT	AS-BD ,BL,B P,BS, BV,B Y-CA CD-CF ,CJ,C M,CQ, CT,C W-CY DB-DD	1
-140A	315T4514-3		..LINK ASSY-PIVOT	BM,BN ,BQ,B R,BT, BU,BW ,BX CB,CC ,CG,C H,CK, CL,CN ,CP CR,CS ,CU,C V,CZ, DA,D E-DT	1

78-31-45

 ILLUSTRATED PARTS LIST
 01.1 Page 1100N
 Jul 01/05

FIG. & ITEM	PART NO.	AIRLINE PART NUMBER	NOMENCLATURE 1234567	EFF CODE	QTY PER ASSY
09-145	315W3145-7		...BUSHING	AS-BD ,BL-D T	2
150	315T4514-2		...LINK	AS-BD ,BL,B P,BS, BV,B Y-CA CD-CF ,CJ,C M,CQ, CT,C W-CY DB-DD	1
-150A	315T4514-4		...LINK	BM,BN ,BQ,B R,BT, BU,BW ,BX CB,CC ,CG,C H,CK, CL,CN ,CP	1
155	315T4511-1		..FITTING ASSY	AS-BD ,BL,B P,BS, BV,B Y-CA CD-CF ,CJ,C M,CQ, CT,C W-CY DB-DD	1

78-31-45

FIG. & ITEM	PART NO.	AIRLINE PART NUMBER	NOMENCLATURE 1234567	EFF CODE	QTY PER ASSY
09- -155A	315T4511-5		..FITTING ASSY-PIVOT	BM,BN ,BQ,B R,BT, BU,BW ,BX CB,CC ,CG,C H,CK, CL,CN ,CP CR,CS ,CU,C V,CZ, DA,D E-DT	1
160	315W3145-6		...BUSHING	AS-BD ,BL-D T	2
165	315T4513-1		...PAD-WEAR	AS-BD ,BL-D T	1
170	315T4511-2		...FITTING	AS-BD ,BL,B P,BS, BV,B Y-CA CD-CF ,CJ,C M,CQ, CT,C W-CY DB-DD	1

78-31-45

 ILLUSTRATED PARTS LIST
 01.1 Page 1100P
 Jul 01/05

FIG. & ITEM	PART NO.	AIRLINE PART NUMBER	NOMENCLATURE 1234567	EFF CODE	QTY PER ASSY
09- -170A	315T4511-6		...FITTING	BM,BN ,BQ,B R,BT, BU,BW ,BX CB,CC ,CG,C H,CK, CL,CN ,CP CR,CS ,CU,C V,CZ, DA,D E-DT	1
175	315T4519-1		.BONDED ASSY-DOOR	AS-AX ,BL,B P,BS, BV,B Y-CA CD-CF	1
-175A	315T4519-9		.BONDED ASSY-DOOR	BM,BN ,BQ,B R,BT, BU,BW ,BX CB,CC ,CG,C H,D G-DM	1

78-31-45

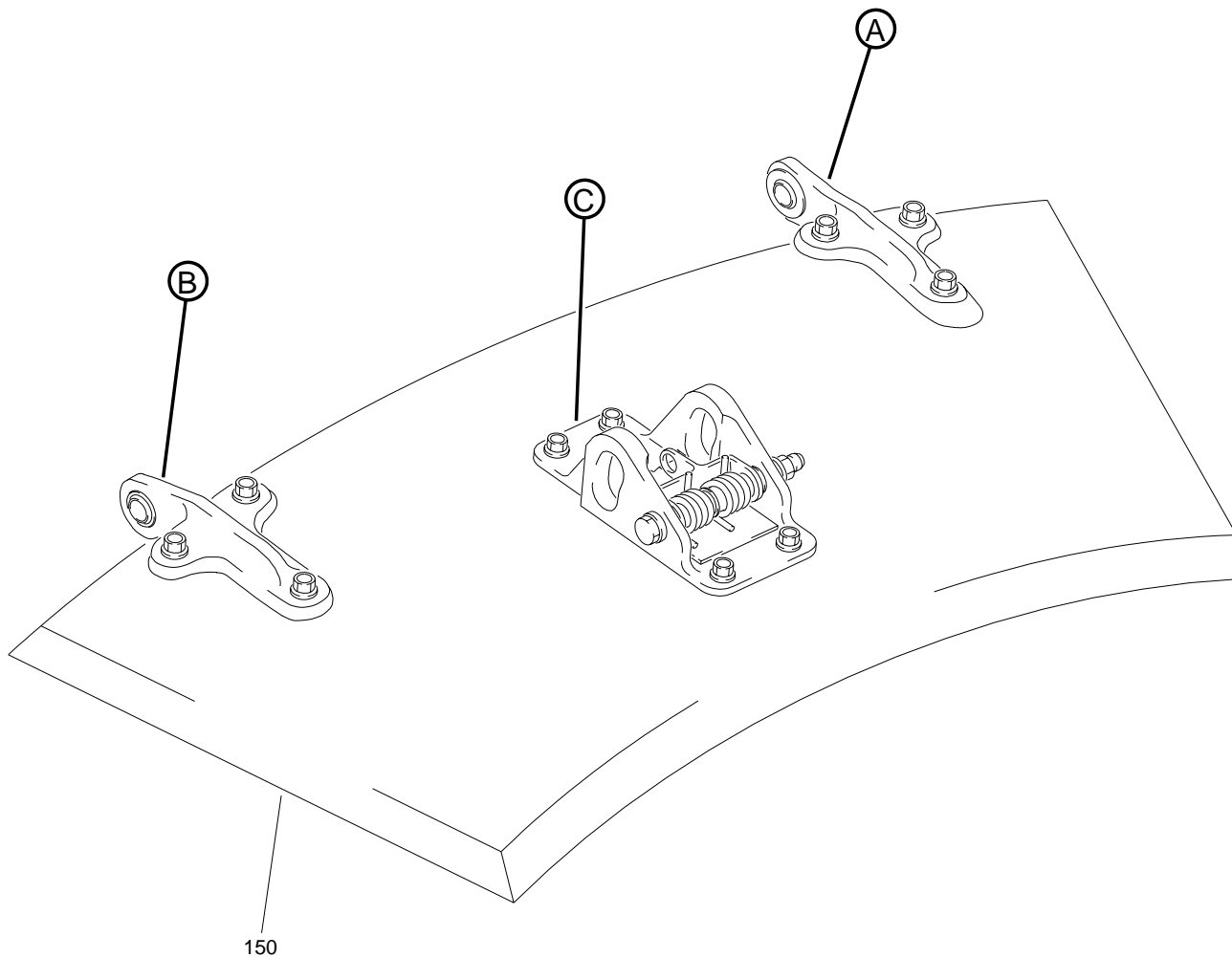
ILLUSTRATED PARTS LIST
01.1 Page 1100Q
Jul 01/05

FIG. & ITEM	PART NO.	AIRLINE PART NUMBER	NOMENCLATURE 1234567	EFF CODE	QTY PER ASSY
09- -180	315T4519-2		.BONDED ASSY-DOOR	AY-BD ,CJ,C M,CQ, CT,C W-CY DB-DD	1
-180A	315T4519-10		.BONDED ASSY-DOOR	CK,CL ,CN,C P,CR, CS,CU ,CV CZ,DA ,DE,D F,D N-DT	1

- Item Not Illustrated

78-31-45

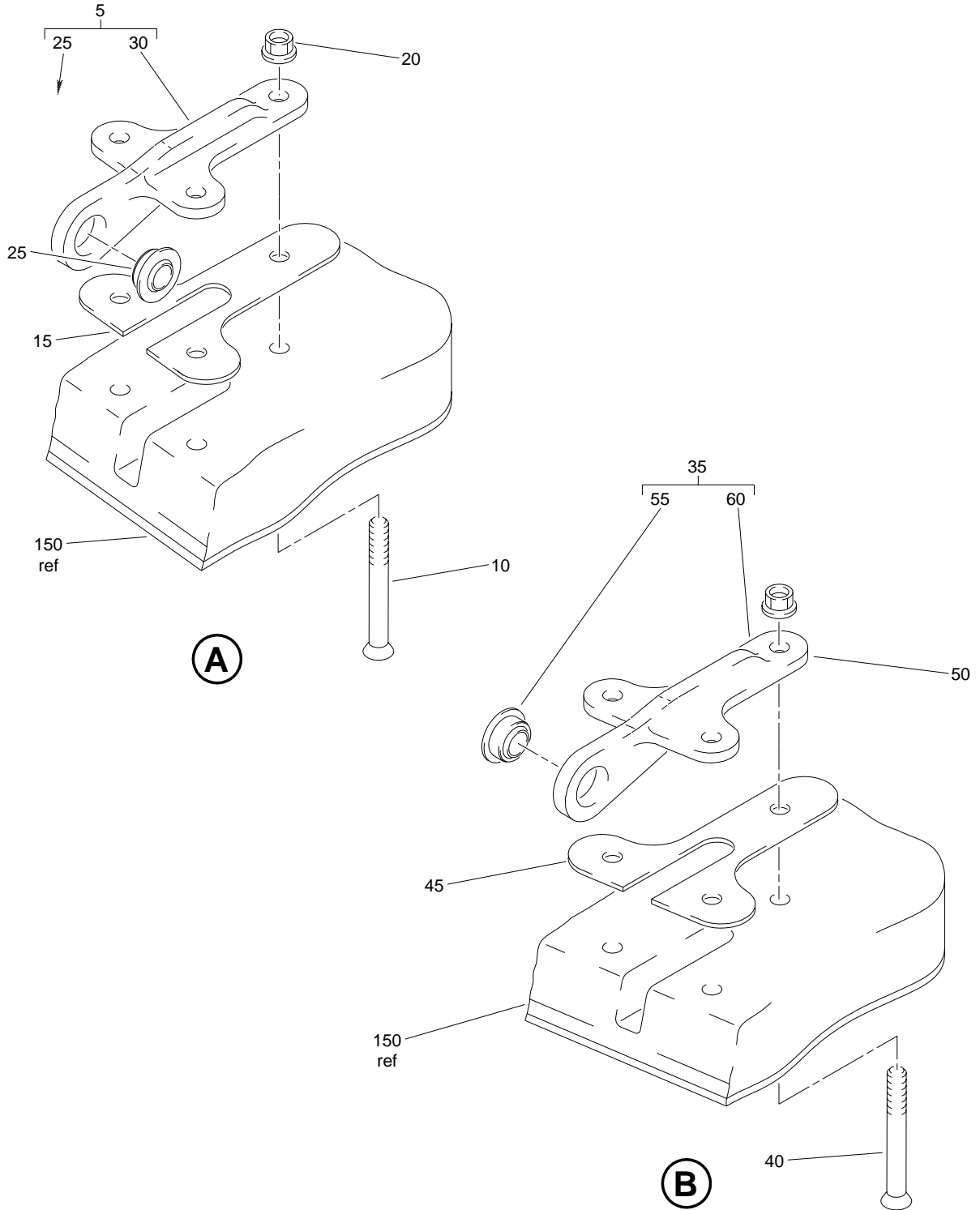
 ILLUSTRATED PARTS LIST
 01.1 Page 1100R
 Jul 01/05



Common Blocker Door Assembly
Figure 10 (Sheet 1)

78-31-45

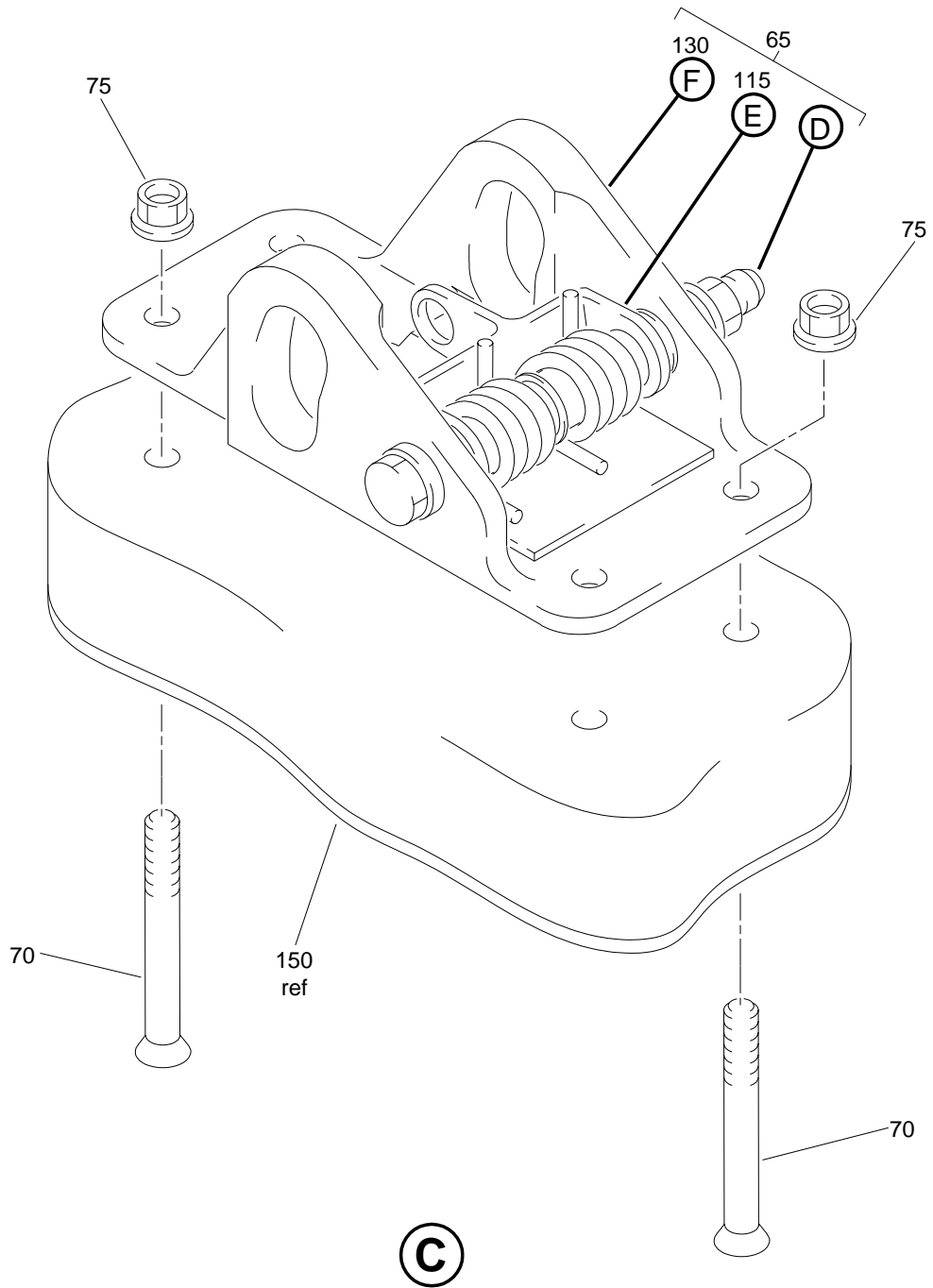
ILLUSTRATED PARTS LIST
01.1 Page 1100T
Jul 01/05



Common Blocker Door Assembly
Figure 10 (Sheet 2)

78-31-45

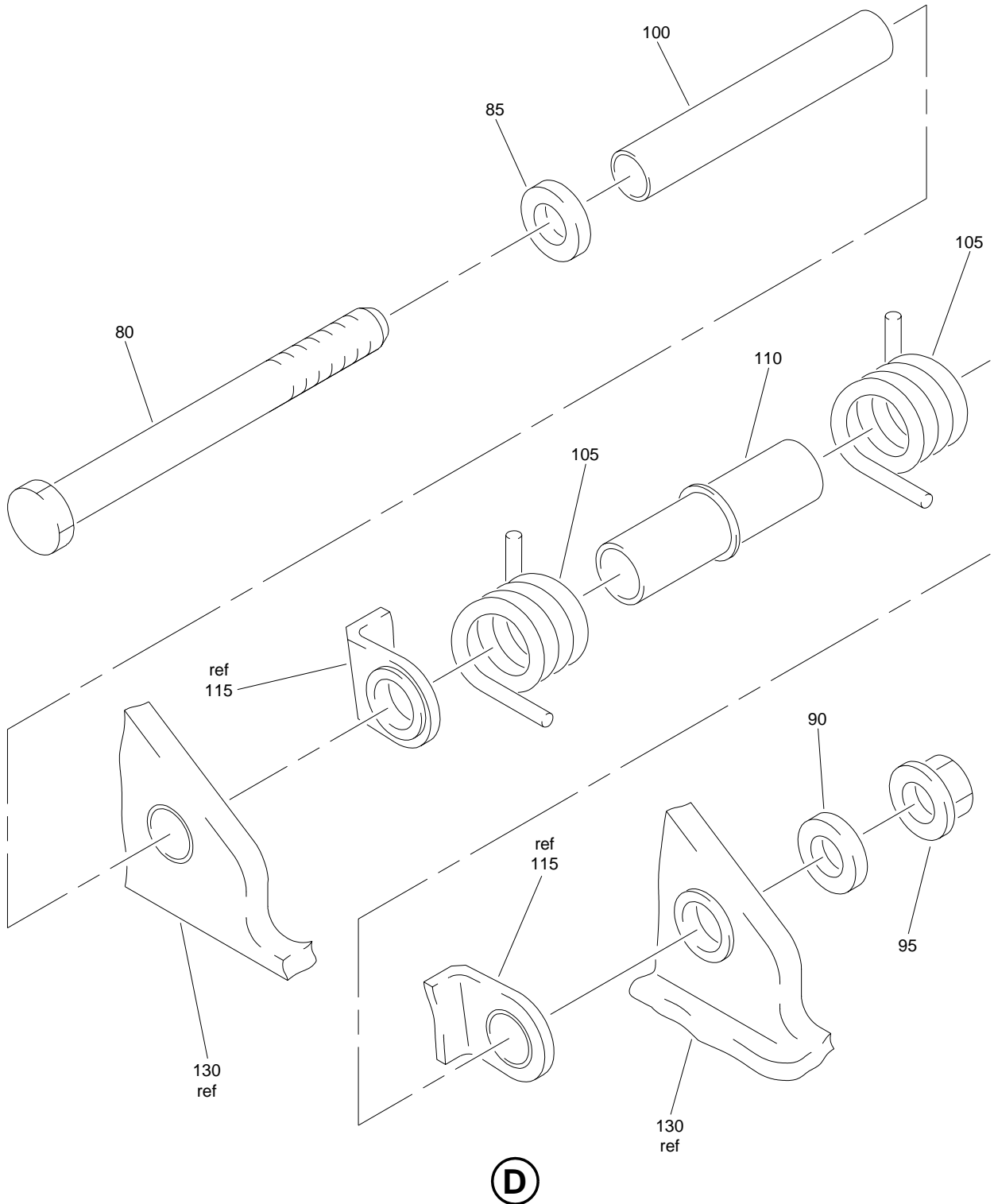
ILLUSTRATED PARTS LIST
01.1 Page 1100U
Jul 01/05



Common Blocker Door Assembly
Figure 10 (Sheet 3)

78-31-45

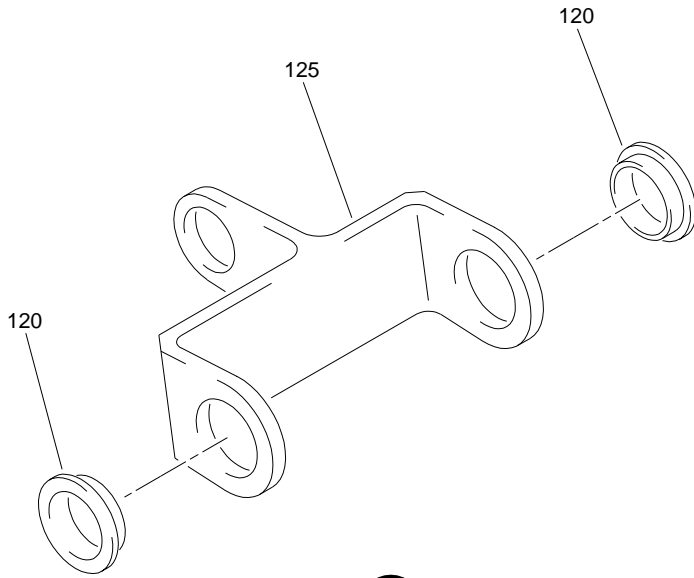
ILLUSTRATED PARTS LIST
01.1 Page 1100V
Jul 01/05



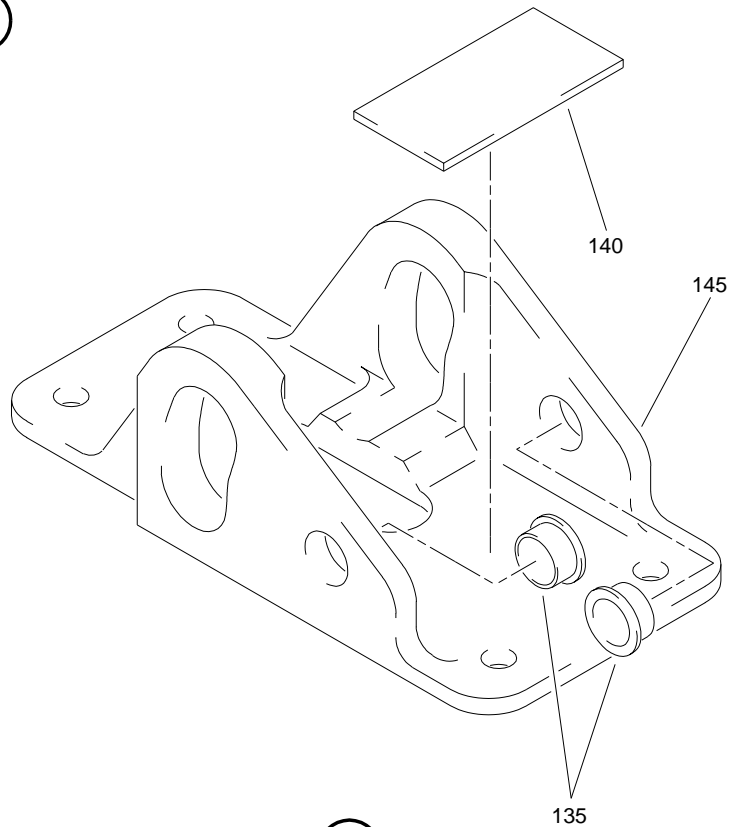
Common Blocker Door Assembly
Figure 10 (Sheet 4)

78-31-45

ILLUSTRATED PARTS LIST
01.1 Page 1100W
Jul 01/05



E



F

Common Blocker Door Assembly
Figure 10 (Sheet 5)

78-31-45

ILLUSTRATED PARTS LIST
01.1 Page 1100X
Jul 01/05

 **BOEING**
COMPONENT
MAINTENANCE MANUAL

FIG. & ITEM	PART NO.	AIRLINE PART NUMBER	NOMENCLATURE 1234567	EFF CODE	QTY PER ASSY
10- -1A	315T4507-1		DOOR ASSY-BLOCKER, COMMON	AS-BD ,BL,B P,BS, BV,B Y-CA CD-CF ,CJ,C M,CQ, CT,C W-CY DB-DD	RF
-1B	315T4507-3		DOOR ASSY-BLOCKER, COMMON	BM,BN ,BQ,B R,BT, BU,BW ,BX CB,CC ,CG,C H,CK, CL,CN ,CP CR,CS ,CU,C V,CZ, DA,DE ,DF DG-DT	RF
-1C 5	315T4507-5 315T4518-1		DOOR ASSY-BLOCKER, COMMON .FITTING ASSY-HINGE	AS-BD ,BL-D T	RF 1

78-31-45

ILLUSTRATED PARTS LIST
01.1 Page 1100Y
Jul 01/05

FIG. & ITEM	PART NO.	AIRLINE PART NUMBER	NOMENCLATURE 1234567	EFF CODE	QTY PER ASSY
10-			ATTACHING PARTS		
10	HL13VAZ6-18		.BOLT- (V56878) (SPEC BACB30NY6K18) (OPT HL13VAZ6-18 (V73197)) (OPT HL13VAZ6-18 (V92215)) (OPT HL13VAZ6-18 (V97928)) (OPT L801-6K18 (V06725)) (OPT HL13VAZ6-18 (V60516)) (OPT L801-6K18 (V0PTK6)) (OPT HL13VAZ6-18 (V17446))	AS-BD ,BL-D T	3
15	315W1115-46		.SHIM	AS-BD ,BL-D T	AR
20	BACN10ZZ3D		.NUT	AS-BD ,BL-D T	3
25	P21620		-----*----- ..BEARING ASSY- (V57606) (SPEC S302T001-301)	AS-BD ,BL-D T	1
30	315T4518-5		..FITTING	AS-BD ,BL-D T	1
35	315T4518-2		.FITTING ASSY-HINGE	AS-BD ,BL-D T	1

78-31-45

 ILLUSTRATED PARTS LIST
 01.1 Page 1100Z
 Jul 01/05

BOEING
COMPONENT
MAINTENANCE MANUAL

FIG. & ITEM	PART NO.	AIRLINE PART NUMBER	NOMENCLATURE 1234567	EFF CODE	QTY PER ASSY
10- 40	HL13VAZ6-18		ATTACHING PARTS .BOLT- (V56878) (SPEC BACB30NY6K18) (OPT HL13VAZ6-18 (V73197)) (OPT HL13VAZ6-18 (V92215)) (OPT HL13VAZ6-18 (V97928)) (OPT L801-6K18 (V06725)) (OPT HL13VAZ6-18 (V60516)) (OPT L801-6K18 (V0PTK6)) (OPT HL13VAZ6-18 (V17446))	AS-BD ,BL-D T	3
45	315W1115-46		.SHIM	AS-BD ,BL-D T	AR
50	BACN10ZZ3D		.NUT	AS-BD ,BL-D T	3
55	P21620		-----*----- ..BEARING ASSY- (V57606) (SPEC S302T001-301)	AS-BD ,BL-D T	1
60	315T4518-6		..FITTING	AS-BD ,BL-D T	1
65	315T4521-1		.FITTING ASSY-DRAG LINK ATTACH	AS-BD ,BL,B P,BS, BV,B Y-CA CD-CF ,CJ,C M,CQ, CT,C W-CY DB-DD	1

78-31-45

ILLUSTRATED PARTS LIST
01.1 Page 1101
Jul 01/05

FIG. & ITEM	PART NO.	AIRLINE PART NUMBER	NOMENCLATURE 1234567	EFF CODE	QTY PER ASSY
10- -65A	315T4521-2		.FITTING ASSY-DRAG LINK ATTACH	BM,BN ,BQ,B R,BT, BU,BW ,BX CB,CC ,CG,C H,CK, CL,CN ,CP CR,CS ,CU,C V,CZ, DA,DE ,DF	1
-65B	315T4521-3		.LINK ASSY-DRAG LINK ATTACH	DG-DT	1
70	HL13VAZ6-17		.BOLT- (V56878) (SPEC BACB30NY6K17) (OPT HL13VAZ6-17 (V73197)) (OPT HL13VAZ6-17 (V92215)) (OPT HL13VAZ6-17 (V97928)) (OPT L801-6K17 (V06725)) (OPT HL13VAZ6-17 (V60516)) (OPT L801-6K17 (V0PTK6)) (OPT HL13VAZ6-17 (V17446))	AS-BD ,BL-D T	4
75	BACN10ZZ3D		.NUT	AS-BD ,BL-D T	4
80	BACB30LM4U47		-----*----- .BOLT	AS-BD ,BL-D T	1

78-31-45

 ILLUSTRATED PARTS LIST
 01.1 Page 1102
 Jul 01/05

FIG. & ITEM	PART NO.	AIRLINE PART NUMBER	NOMENCLATURE 1234567	EFF CODE	QTY PER ASSY
10-85	BACW10BP4ACU		..WASHER	AS-BD ,BL-D T	1
87	NAS1149E0632R		..WASHER	DG-DT	1
90	NAS1149E0432R		..WASHER	AS-BD ,BL-D T	1
95	H52732-4CM		..NUT- (V15653) (SPEC BACN10YR4CM) (OPT PLH54CM (V62554))	AS-BD ,BL-D T	1
100	BACB28AK04-280		..BUSHING	AS-BD ,BL-D T	1
105	315T4516-1		..SPRING	AS-BD ,BL-D T	2
110	315T4517-1		..SPACER	AS-BD ,BL-D T	1
115	315T4514-1		..LINK ASSY-PIVOT	AS-BD ,BL,B P,BS, BV,B Y-CA CD-CF ,CJ,C M,CQ, CT,C W-CY DB-DD	1

78-31-45

ILLUSTRATED PARTS LIST
01.1 Page 1102A
Jul 01/05

FIG. & ITEM	PART NO.	AIRLINE PART NUMBER	NOMENCLATURE 1234567	EFF CODE	QTY PER ASSY
10- -115A	315T4514-3		..LINK ASSY-PIVOT	BM, BN , BQ, B R, BT, BU, BW , BX CB, CC , CG, C H, CK, CL, CN , CP CR, CS , CU, C V, CZ, DA, D E-DT	1
120	315W3145-7		...BUSHING	AS-BD , BL-D T	2
125	315T4514-2		...LINK	AS-BD , BL, B P, BS, BV, B Y-CA CD-CF , CJ, C M, CQ, CT, C W-CY DB-DD	1

78-31-45

 ILLUSTRATED PARTS LIST
 01.1 Page 1102B
 Jul 01/05

 **BOEING**
COMPONENT
MAINTENANCE MANUAL

FIG. & ITEM	PART NO.	AIRLINE PART NUMBER	NOMENCLATURE	EFF CODE	QTY PER ASSY
10- -125A	315T4514-4		1234567 ...LINK	BM,BN ,BQ,B R,BT, BU,BW ,BX CB,CC ,CG,C H,CK, CL,CN ,CP CR,CS ,CU,C V,CZ, DA,D E-DT	1
130	315T4511-1		..FITTING ASSY	AS-BD ,BL,B P,BS, BV,B Y-CA CD-CF ,CJ,C M,CQ, CT,C W-CY DB-DD	1
-130A	315T4511-5		..FITTING ASSY	BM,BN ,BQ,B R,BT, BU,BW ,BX CB,CC ,CG,C H,CK, CL,CN ,CP CR,CS ,CU,C V,CZ, DA,D E-DT	1

78-31-45

ILLUSTRATED PARTS LIST
01.1 Page 1102C
Jul 01/05

FIG. & ITEM	PART NO.	AIRLINE PART NUMBER	NOMENCLATURE 1234567	EFF CODE	QTY PER ASSY
10-135	315W3145-6		...BUSHING	AS-BD ,BL-D T	2
140	315T4513-1		...PAD-WEAR	AS-BD ,BL-D T	1
145	315T4511-2		...FITTING	AS-BD ,BL,B P,BS, BV,B Y-CA CD-CF ,CJ,C M,CQ, CT,C W-CY	1
-145A	315T4511-6		...FITTING	DB-DD BM,BN ,BQ,B R,BT, BU,BW ,BX CB,CC ,CG,C H,CK, CL,CN ,CP CR,CS ,CU,C V,CZ, DA,D E-DT	1
150	315T4510-1		.BOND ASSY-DOOR	AS-BD ,BL,B P,BS, BV,B Y-CA CD-CF ,CJ,C M,CQ, CT,C W-CY DB-DD	1

78-31-45

 ILLUSTRATED PARTS LIST
 01.1 Page 1102D
 Jul 01/05

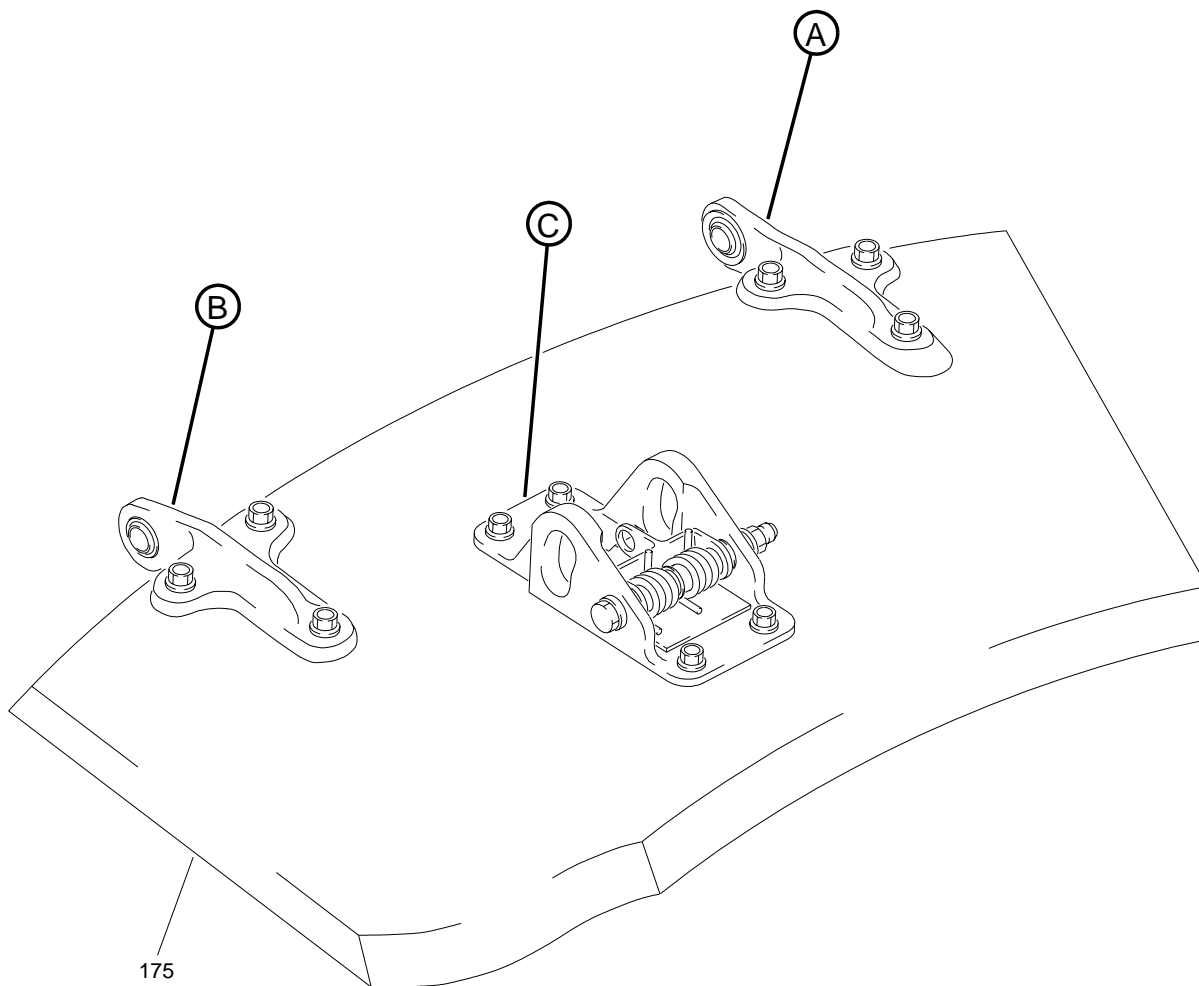
 **BOEING**
COMPONENT
MAINTENANCE MANUAL

FIG. & ITEM	PART NO.	AIRLINE PART NUMBER	NOMENCLATURE	EFF CODE	QTY PER ASSY
10-150A	315T4510-7		1234567 .BOND ASSY-DOOR	BM,BN ,BQ,B R,BT, BU,BW ,BX CB,CC ,CG,C H,CK, CL,CN ,CP CR,CS ,CU,C V,CZ, DA,D E-DT	1

- Item Not Illustrated

78-31-45

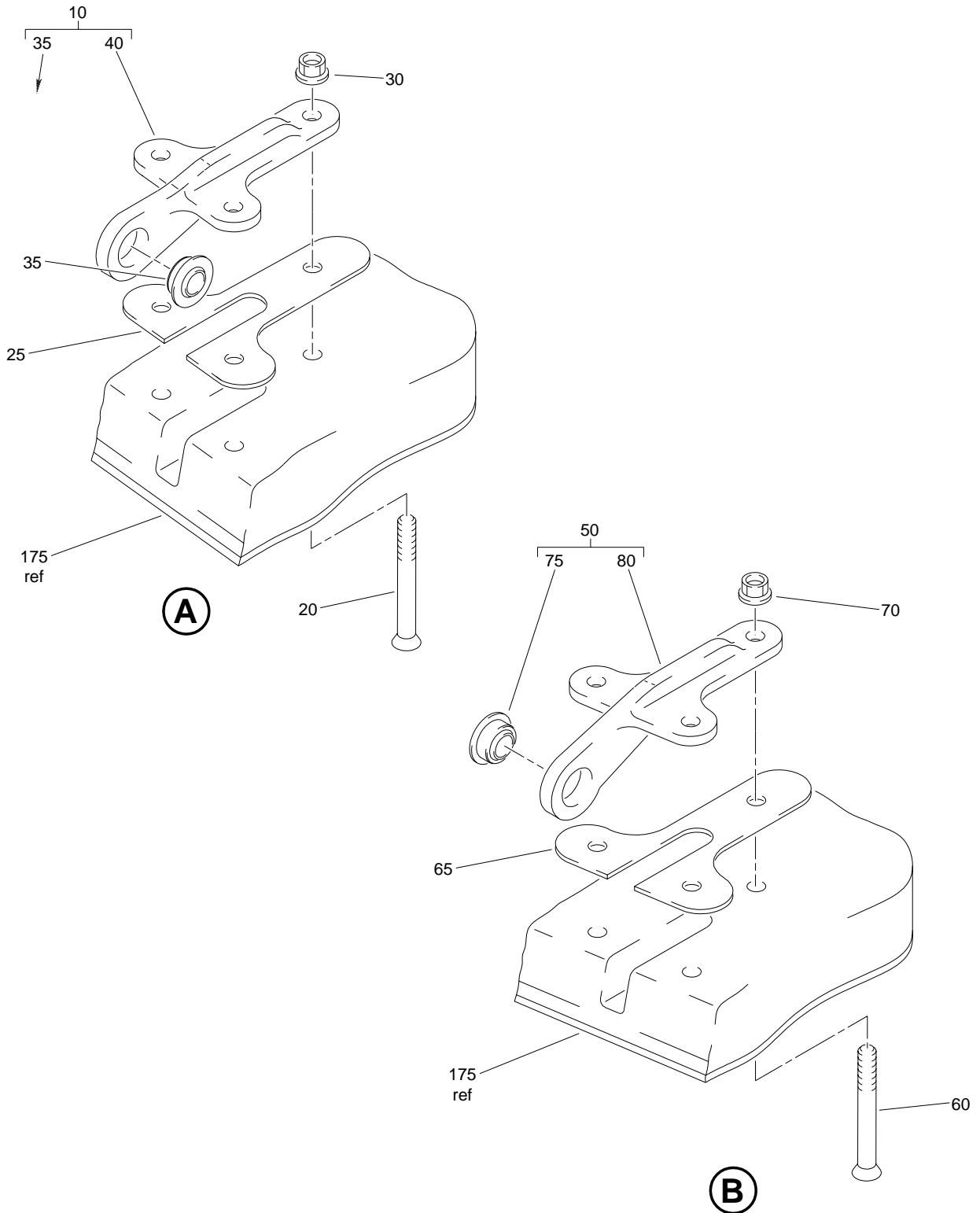
ILLUSTRATED PARTS LIST
01.1 Page 1102E
Jul 01/05



Lower Blocker Door Assembly
Figure 11 (Sheet 1)

78-31-45

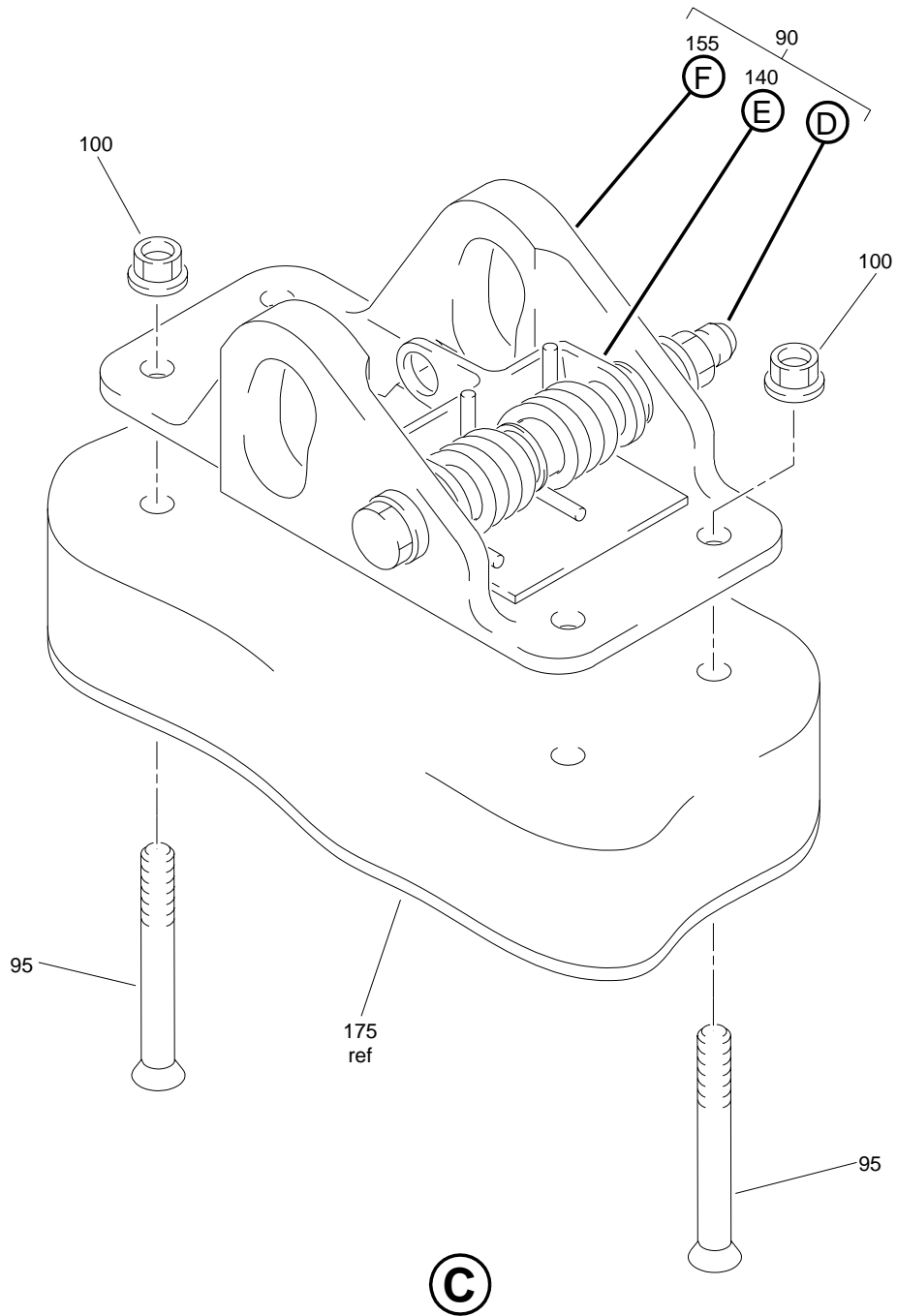
ILLUSTRATED PARTS LIST
01.1 Page 1102F
Jul 01/05



Lower Blocker Door Assembly
Figure 11 (Sheet 2)

78-31-45

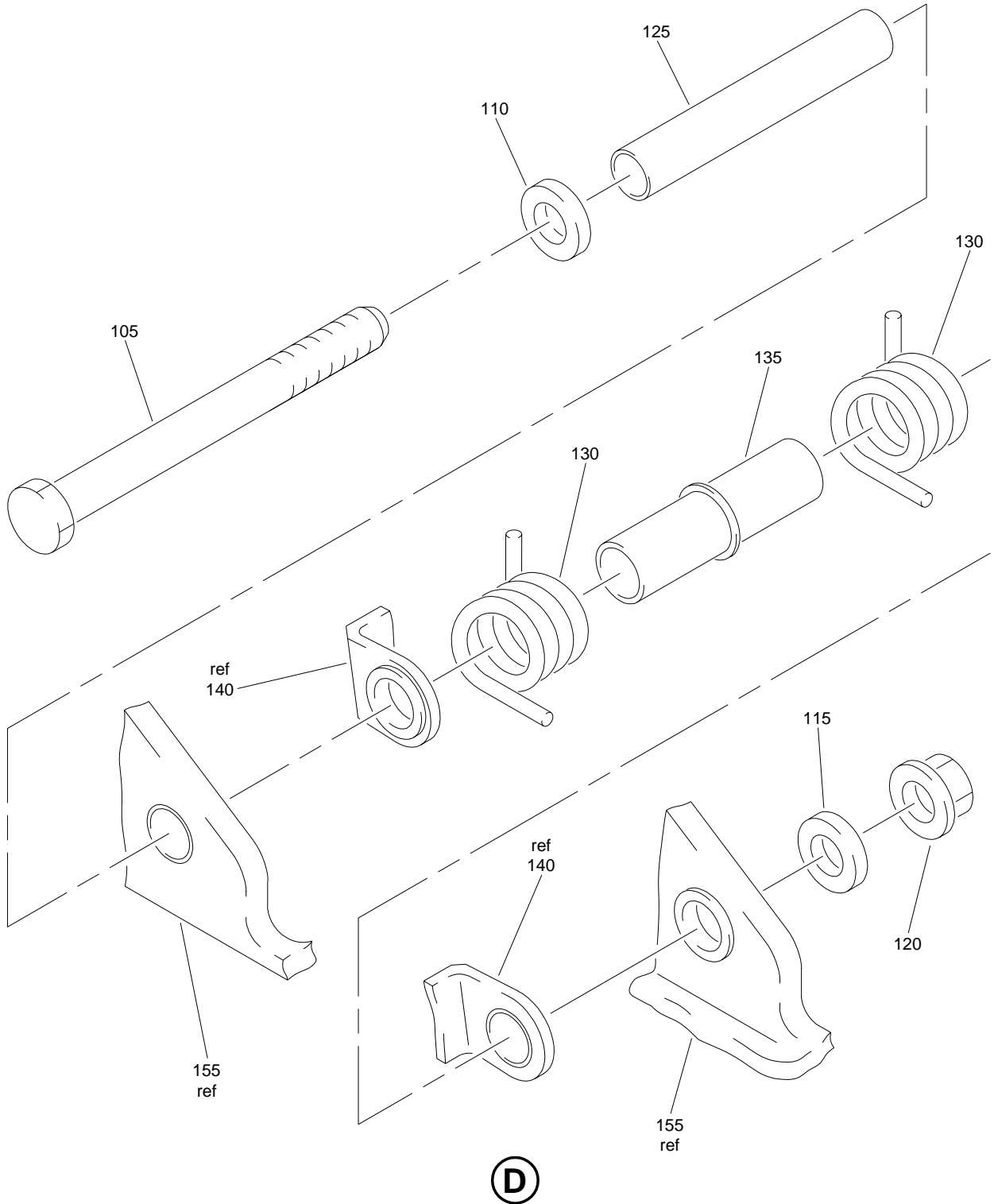
ILLUSTRATED PARTS LIST
01.1 Page 1102G
Jul 01/05



Lower Blocker Door Assembly
Figure 11 (Sheet 3)

78-31-45

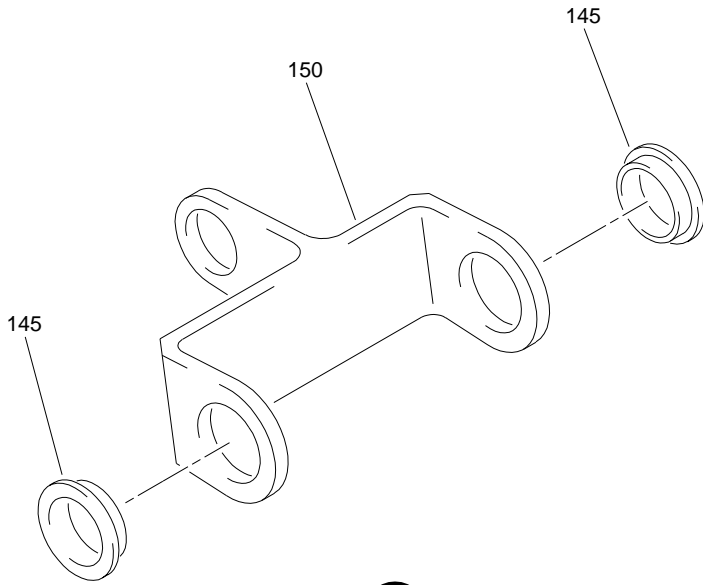
ILLUSTRATED PARTS LIST
01.1 Page 1102H
Jul 01/05



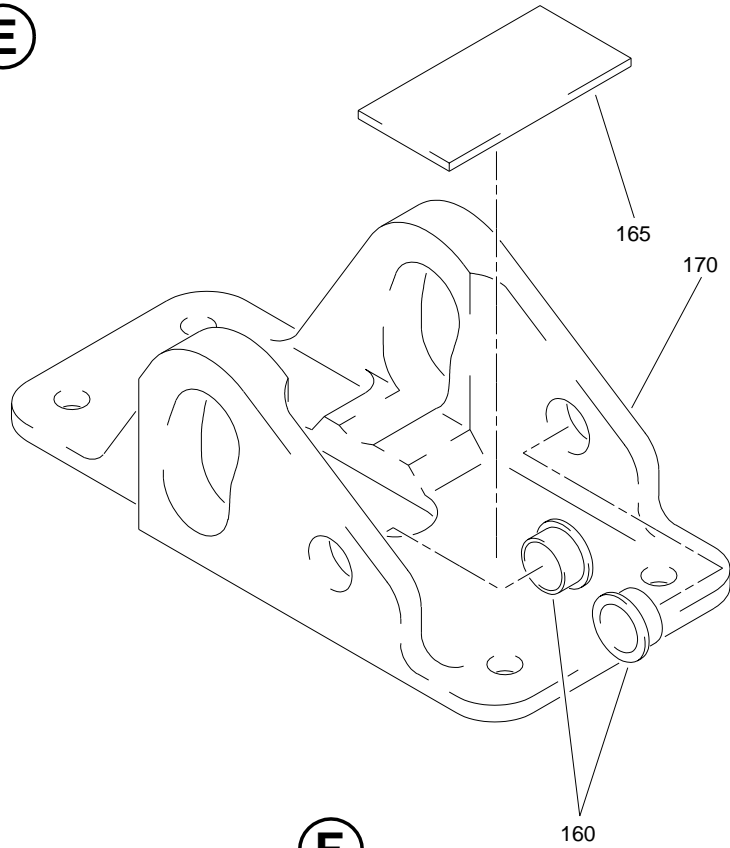
Lower Blocker Door Assembly
Figure 11 (Sheet 4)

78-31-45

ILLUSTRATED PARTS LIST
01.1 Page 1102I
Jul 01/05



E



F

Lower Blocker Door Assembly
Figure 11 (Sheet 5)

78-31-45

ILLUSTRATED PARTS LIST
01.1 Page 1102J
Jul 01/05

 **BOEING**
COMPONENT
MAINTENANCE MANUAL

FIG. & ITEM	PART NO.	AIRLINE PART NUMBER	NOMENCLATURE 1234567	EFF CODE	QTY PER ASSY
11- -1A	315T4509-1		DOOR ASSY-BLOCKER, LWR	AS-AX ,BL,B P,BS, BV,B Y-CA CD-CF	RF
-1B	315T4509-3		DOOR ASSY-BLOCKER, LWR	BM,BN ,BQ,B R,BT, BU,BW ,BX CB,CC ,CG,C H	RF
-1C	315T4509-5		DOOR ASSY-BLOCKER, LWR	DG-DM	RF
-5	315T4509-2		DOOR ASSY-BLOCKER, LWR	AY-BD ,CJ,C M,CQ, CT,C W-CY DB-DD	RF
-5A	315T4509-4		DOOR ASSY-BLOCKER, LWR	CK,CL ,CN,C P,CR, CS,CU ,CV CZ,DA ,DE,D F	RF
-5B	315T4509-6		DOOR ASSY-BLOCKER, LWR	DN-DT	RF
10	315T4518-1		.FITTING ASSY-HINGE	AS-AX ,BL-C H,D G-DM	1
-15	315T4518-2		.FITTING ASSY-HINGE	AY-BD ,CJ-D F,D N-DT	1

78-31-45

ILLUSTRATED PARTS LIST
01.1 Page 1102K
Jul 01/05

FIG. & ITEM	PART NO.	AIRLINE PART NUMBER	NOMENCLATURE 1234567	EFF CODE	QTY PER ASSY
11- 20	HL13VAZ6-18		ATTACHING PARTS .BOLT- (V56878) (SPEC BACB30NY6K18) (OPT HL13VAZ6-18 (V73197)) (OPT HL13VAZ6-18 (V92215)) (OPT HL13VAZ6-18 (V97928)) (OPT L801-6K18 (V06725)) (OPT HL13VAZ6-18 (V60516)) (OPT L801-6K18 (V0PTK6)) (OPT HL13VAZ6-18 (V17446))	AS-BD ,BL-D T	3
25	315W1115-46		.SHIM	AS-BD ,BL-D T	AR
30	BACN10ZZ3D		.NUT	AS-BD ,BL-D T	3
35	P21620		-----*----- ..BEARING ASSY- (V57606) (SPEC S302T001-301)	AS-BD ,BL-D T	1
40	315T4518-5		..FITTING	AS-AX ,BL-C H,D G-DM	1
-45	315T4518-6		..FITTING	AY-BD ,CJ-D F,D N-DT	1
50	315T4518-4		.FITTING ASSY-HINGE	AS-AX ,BL-C H,D G-DM	1
-55	315T4518-3		.FITTING ASSY-HINGE	AY-BD ,CJ-D F,D N-DT	1

78-31-45

 ILLUSTRATED PARTS LIST
 01.1 Page 1102L
 Jul 01/05

 **BOEING**
COMPONENT
MAINTENANCE MANUAL

FIG. & ITEM	PART NO.	AIRLINE PART NUMBER	NOMENCLATURE 1234567	EFF CODE	QTY PER ASSY
11- 60	HL13VAZ6-18		ATTACHING PARTS .BOLT- (V56878) (SPEC BACB30NY6K18) (OPT HL13VAZ6-18 (V73197)) (OPT HL13VAZ6-18 (V92215)) (OPT HL13VAZ6-18 (V97928)) (OPT L801-6K18 (V06725)) (OPT HL13VAZ6-18 (V60516)) (OPT L801-6K18 (V0PTK6)) (OPT HL13VAZ6-18 (V17446))	AS-BD ,BL-D T	3
65	315W1115-46		.SHIM	AS-BD ,BL-D T	AR
70	BACN10ZZ3D		.NUT	AS-BD ,BL-D T	3
75	P21620		-----*----- ..BEARING ASSY- (V57606) (SPEC S302T001-301)	AS-BD ,BL-D T	1
80	315T4518-8		..FITTING	AS-AX ,BL-C H,D G-DM	1

78-31-45

ILLUSTRATED PARTS LIST
01.1 Page 1102M
Jul 01/05

FIG. & ITEM	PART NO.	AIRLINE PART NUMBER	NOMENCLATURE 1234567	EFF CODE	QTY PER ASSY
11-85	315T4518-7		..FITTING	AY-BD ,CJ-D F,D N-DT	1
90	315T4521-1		.FITTING ASSY-DRAG LINK ATTACH	AS-BD ,BL,B P,BS, BV,B Y-CA CD-CF ,CJ,C M,CQ, CT,C W-CY DB-DD	1
-90A	315T4521-2		.FITTING ASSY-DRAG LINK ATTACH	BM,BN ,BQ,B R,BT, BU,BW ,BX CB,CC ,CG,C H,CK, CL,CN ,CP CR,CS ,CU,C V,CZ, DA,DE ,DF	1
-90B	315T4521-3		.LINK ASSY-DRAG LINK ATTACH ATTACHING PARTS	DG-DT	1

78-31-45

 ILLUSTRATED PARTS LIST
 01.1 Page 1102N
 Jul 01/05

 **BOEING**
COMPONENT
MAINTENANCE MANUAL

FIG. & ITEM	PART NO.	AIRLINE PART NUMBER	NOMENCLATURE 1234567	EFF CODE	QTY PER ASSY
11-95	HL13VAZ6-17		.BOLT- (V56878) (SPEC BACB30NY6K17) (OPT HL13VAZ6-17 (V73197)) (OPT HL13VAZ6-17 (V92215)) (OPT HL13VAZ6-17 (V97928)) (OPT L801-6K17 (V06725)) (OPT HL13VAZ6-17 (V60516)) (OPT L801-6K17 (V0PTK6)) (OPT HL13VAZ6-17 (V17446))	AS-BD ,BL-D T	4
100	BACN10ZZ3D		.NUT -----*	AS-BD ,BL-D T	4
105	BACB30LM4U47		..BOLT	AS-BD ,BL-D T	1
110	BACW10BP4ACU		..WASHER	AS-BD ,BL-D T	1
112	NAS1149E0632R		..WASHER	DG-DT	1
115	NAS1149E0432R		..WASHER	AS-BD ,BL-D T	1
120	H52732-4CM		..NUT- (V15653) (SPEC BACN10YR4CM) (OPT PLH54CM (V62554))	AS-BD ,BL-D T	1

78-31-45

ILLUSTRATED PARTS LIST
01.1 Page 11020
Jul 01/05

FIG. & ITEM	PART NO.	AIRLINE PART NUMBER	NOMENCLATURE 1234567	EFF CODE	QTY PER ASSY
11-125	BACB28AK04-280		..BUSHING	AS-BD ,BL-D T	1
130	315T4516-1		..SPRING	AS-BD ,BL-D T	2
135	315T4517-1		..SPACER	AS-BD ,BL-D T	1
140	315T4514-1		..LINK ASSY-PIVOT	AS-BD ,BL,B P,BS, BV,B Y-CA CD-CF ,CJ,C M,CQ, CT,C W-CY DB-DD	1
-140A	315T4521-3		DELETED		
-140B	315T4514-3		..LINK ASSY-PIVOT	BM,BN ,BQ,B R,BT, BU,BW ,BX CB,CC ,CG,C H,CK, CL,CN ,CP CR,CS ,CU,C V,CZ, DA,D E-DT	1

78-31-45

 ILLUSTRATED PARTS LIST
 01.1 Page 1102P
 Jul 01/05

BOEING
COMPONENT
MAINTENANCE MANUAL

FIG. & ITEM	PART NO.	AIRLINE PART NUMBER	NOMENCLATURE 1234567	EFF CODE	QTY PER ASSY
11-145	315W3145-7		...BUSHING	AS-BD ,BL-D T	2
150	315T4514-2		...LINK	AS-BD ,BL,B P,BS, BV,B Y-CA CD-CF ,CJ,C M,CQ, CT,C W-CY	1
-150A	315T4514-4		...LINK	DB-DD BM,BN ,BQ,B R,BT, BU,BW ,BX CB,CC ,CG,C H,CK, CL,CN ,CP CR,CS ,CU,C V,CZ, DA,D E-DT	1
155	315T4511-1		..FITTING ASSY	AS-BD ,BL,B P,BS, BV,B Y-CA CD-CF ,CJ,C M,CQ, CT,C W-CY DB-DD	1

78-31-45

ILLUSTRATED PARTS LIST
01.1 Page 1102Q
Jul 01/05

FIG. & ITEM	PART NO.	AIRLINE PART NUMBER	NOMENCLATURE 1234567	EFF CODE	QTY PER ASSY
11- -155A	315T4511-5		..FITTING ASSY	BM,BN ,BQ,B R,BT, BU,BW ,BX CB,CC ,CG,C H,CK, CL,CN ,CP CR,CS ,CU,C V,CZ, DA,D E-DT	1
160	315W3145-6		...BUSHING	AS-BD ,BL-D T	2
165	315T4513-1		...PAD-WEAR	AS-BD ,BL-D T	1
170	315T4511-2		...FITTING	AS-BD ,BL,B P,BS, BV,B Y-CA CD-CF ,CJ,C M,CQ, CT,C W-CY DB-DD	1

78-31-45

 ILLUSTRATED PARTS LIST
 01.1 Page 1102R
 Jul 01/05

BOEING
COMPONENT
MAINTENANCE MANUAL

FIG. & ITEM	PART NO.	AIRLINE PART NUMBER	NOMENCLATURE 1234567	EFF CODE	QTY PER ASSY
11- -170A	315T4511-6		...FITTING	BM,BN ,BQ,B R,BT, BU,BW ,BX CB,CC ,CG,C H,CK, CL,CN ,CP CR,CS ,CU,C V,CZ, DA,D E-DT	1
175	315T4520-1		.BONDED ASSY-DOOR	AS-AX ,BL,B P,BS, BV,B Y-CA CD-CF	1
-175A	315T4520-21		.BONDED ASSY-DOOR	BM,BN ,BQ,B R,BT, BU,BW ,BX CB,CC ,CG,C H,D G-DM	1

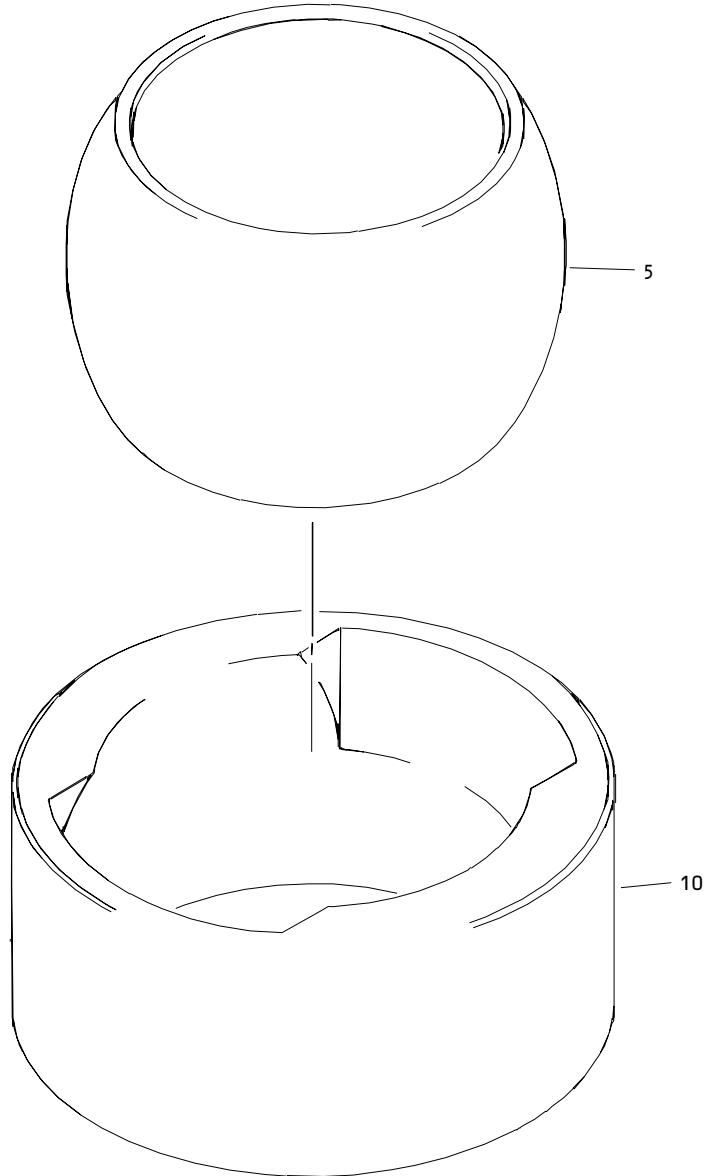
78-31-45

ILLUSTRATED PARTS LIST
01.1 Page 1102S
Jul 01/05

FIG. & ITEM	PART NO.	AIRLINE PART NUMBER	NOMENCLATURE	EFF CODE	QTY PER ASSY
			1234567		
11- -180	315T4520-2		.BONDED ASSY-DOOR	AY-BD ,CJ,C M,CQ, CT,C W-CY DB-DD	1
-180A	315T4520-22		.BONDED ASSY-DOOR	CK,CL ,CN,C P,CR, CS,CU ,CV CZ,DA ,DE,D F,D N-DT	1
			NOTE: THIS ASSEMBLY IS NOT BOEING MANUFACTURED. PARTS BREAKDOWN FOR REFERENCE ONLY. CONSULT VENDOR FOR ANY ADDITIONAL INFORMATION.		

- Item Not Illustrated

78-31-45



Bearing Assembly
Figure 80

78-31-45

ILLUSTRATED PARTS LIST
01.1 Page 1102V
Jul 01/05

 **BOEING**
COMPONENT
MAINTENANCE MANUAL

FIG. & ITEM	PART NO.	AIRLINE PART NUMBER	NOMENCLATURE 1234567	EFF CODE	QTY PER ASSY
80- -1	VTB04550		BEARING ASSY- (V06710) (SPEC S302T001-302A) (OPT AMB6V4035 (V57606)) (OPT P21630 (V57606))		RF
-1A	AMB6V4035		BEARING ASSY- (V57606) (SPEC S302T001-302A) (OPT VTB04550 (V06710)) (OPT P21630 (V57606))		RF
-1B	P21630		BEARING ASSY- (V57606) (SPEC S302T001-302A) (OPT VTB04550 (V06710)) (OPT AMB6V4035 (V57606))		RF
5	VTB04551		.BALL- (V06710) (SPEC S302T001-302B) (OPT P21631 (V57606)) (OPT AMB6V4035B (V06710))		1
-5A	P21631		.BALL- (V57606) (SPEC S302T001-302B) (OPT VTB04551 (V06710)) (OPT AMB6V4035B (V06710))		1

78-31-45

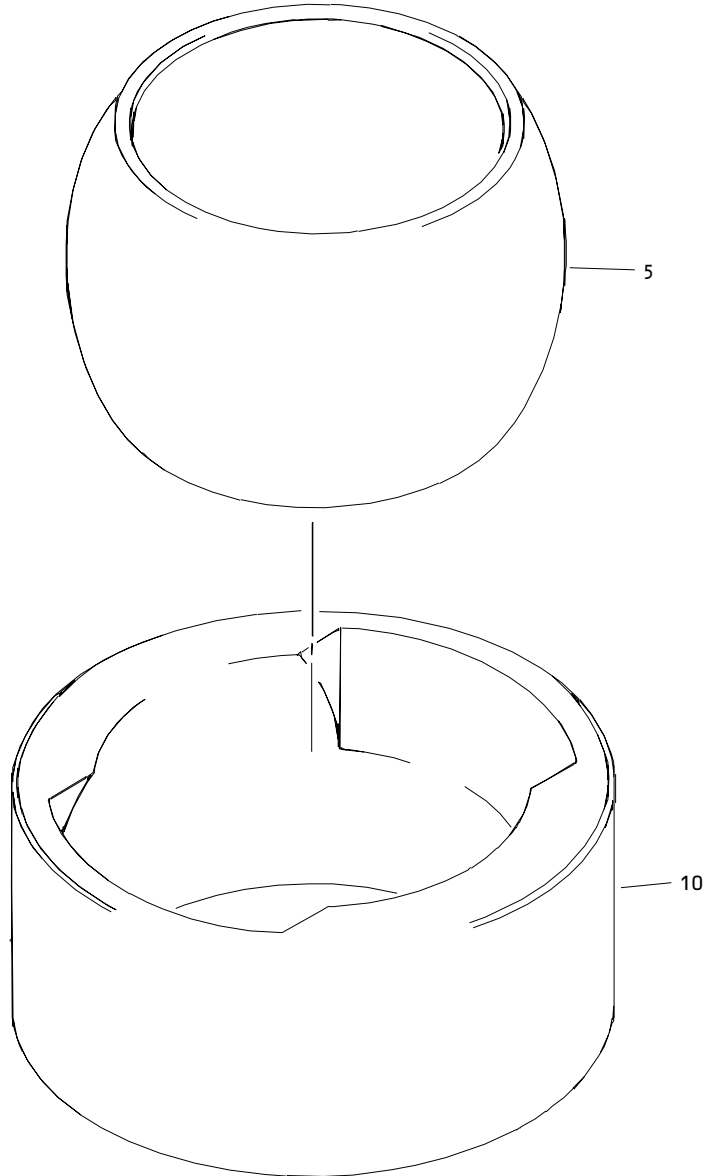
ILLUSTRATED PARTS LIST
01.1 Page 1102W
Jul 01/05

FIG. & ITEM	PART NO.	AIRLINE PART NUMBER	NOMENCLATURE	EFF CODE	QTY PER ASSY
80- -5B	AMB6V4035B		1234567 .BALL- (V06710) (SPEC S302T001-302B) (OPT VTB04551 (V06710)) (OPT P21631 (V57606))		1
10	VTB04552		.RACE- (V06710) NOTE: THIS ASSEMBLY IS NOT BOEING MANUFACTURED. PARTS BREAKDOWN FOR REFERENCE ONLY. CONSULT VENDOR FOR ANY ADDITIONAL INFORMATION.		1

- Item Not Illustrated

78-31-45

 ILLUSTRATED PARTS LIST
 01.1 Page 1102X
 Jul 01/05



Bearing Assembly
Figure 81

78-31-45

ILLUSTRATED PARTS LIST
01.1 Page 1102Z
Jul 01/05

 **BOEING**
COMPONENT
MAINTENANCE MANUAL

FIG. & ITEM	PART NO.	AIRLINE PART NUMBER	NOMENCLATURE 1234567	EFF CODE	QTY PER ASSY
81- -1	VTB04540		BEARING ASSY- (V06710) (SPEC S302T001-301A) (OPT USB4-136 (V02758)) (OPT P21620 (V57606))		RF
-1A	USB4-136		BEARING ASSY- (V02758) (SPEC S302T001-301A) (OPT VTB04540 (V06710)) (OPT P21620 (V57606))		RF
5	VTB04541		.BALL- (V06710) (SPEC S302T001-301B) (OPT P21621 (V57606))		1
10	VTB04542		.RACE- (V06710)		1

- Item Not Illustrated

78-31-45

ILLUSTRATED PARTS LIST
01.1 Page 1103
Jul 01/05